

GENIUS2 6V & 12V 2A



Auto | Marine | RV | Powersport | Lawn & Garden

NOCO genius² BATTERY CHARGERTM + MAINTAINER



EVERYTHING CHARGER.

Do more with Genius. Multi-voltage, chemistries, and types.

Meet the GENIUS2 - Similar to our G1100, just better. It's 30% smaller and delivers over 140% more power. And it's simpler and easier to use than ever before. Plug-in, connect to the battery, select a charge mode, and start charging your battery. A fully-automatic, worry-free battery charger for year-round use. Designed for 6-volt and 12-volt lead-acid automotive, marine, and deep-cycle batteries, including flooded, gel, AGM, maintenance-free, and lithium-ion batteries.



CHARGE DOWN TO ZERO VOLTS.

Charge dead batteries as low as 1-volt. Or use the all-new Force Mode that allows you to take control and manually begin charging dead batteries down to zero volts.



BRING BATTERIES BACK TO LIFE.

Built-in desulfation mode for the most corroded batteries. Auto detection with smart diagnostic indicators starts a Repair Mode integrated within a 9-step charging profile.



THERMAL COMPENSATION.

An integrated thermal sensor detects the ambient temperature and alters the charge to eliminate over-charging in hot climates and under-charging in cold climates.

24/7

WORRY-FREE CHARGING.

Provides all-season, all-weather charging for a healthy battery. Leave plugged in 24/7 with no worries of overcharging. Automatically returns to its last selected mode.

NOCO
30339 Diamond Parkway, #102
Glenwillow, OH 44139 | USA
1.800.456.6626

no.co

NOCO[®]

WHAT'S IN THE BOX.

NOCO Patented Technology

Patented: visit no.co/patents

56" (142.24cm)

85" (217cm)



Charger +
Interchangeable
Connector

Battery Clamps +
Integrated Eyelets

21"
(55cm)



Mounting Bracket + Strap



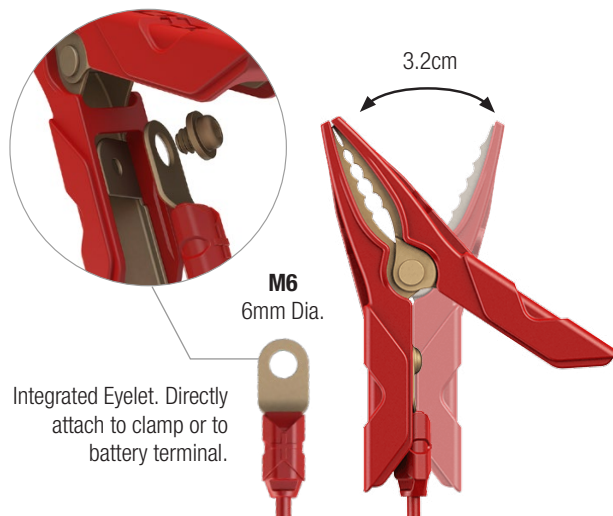
(2) #8x1" Self-tapping
Screws



User Guide

Maximum Versatility.

Genius clamps are built with needle-nose profiles for smaller terminal applications and detachable integrated eyelets for permanently mounting the accessory to the battery.



Integrated Eyelet. Directly
attach to clamp or to
battery terminal.

M6
6mm Dia.

Technical Specifications

Line Voltage AC:	120-240 VAC, 50-60Hz	DC Cable Length:	77.6 Inches
Output Power:	30 Watts Max	AC Cable Length:	71.7 Inches
Charging Voltage:	Various	Back Current Drain:	<0.5mA
Charging Current:	2A (12V), 2A (6V)	Battery Capacity:	Up to 40Ah, Maintains All Battery Sizes
Chemistry:	Lead-Acid and Lithium	Housing Protection:	IP65
Operating Temperature:	-4° to 104° F (-20° to +40° C)	Dimensions (LxWxH):	3.7 x 2.4 x 1.7 Inches
Storage Temperature:	-22° to 140° F (-30° to +60° C)	Unit Weight:	1.1lbs
Low-Voltage Detection:	1V (12V), 1V (6V)	Cooling:	Natural Convection

Charging Times

(for reference,
results may vary)

Battery Size	Approx. Charge Time in Hours	
	6V	12V
8Ah	3	3
12Ah	4.5	4.5
18Ah	6.75	6.75
24Ah	9	9
40Ah	15	15

WHAT'S IN THE BOX.

- GENIUS2 Battery Charger w/ Interchangeable Connector
- Clamps w/ Integrated Eyelets
- Mounting Bracket w/ Strap
- (2) Self-Tapping Screws
- User Guide & Warranty Information

Retail Packaging:

Dimensions: 3.43" x 4.25" x 6.97"
Weight: 1.23lbs
UPC: 0-46221-19003-8

Inner Carton:

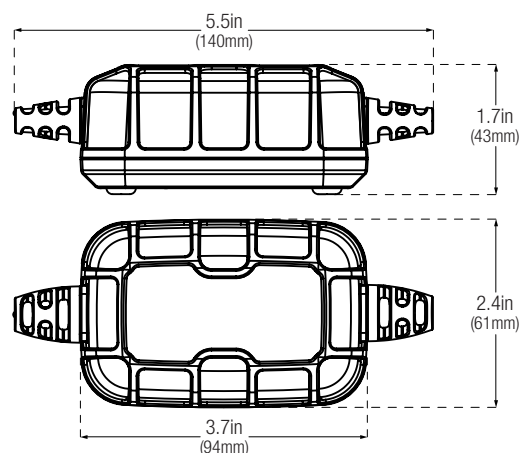
Dimensions: 3.70" x 4.49" x 7.20"
Weight: 1.28lbs

Master Carton:

Dimensions: 15.12" x 11.81" x 5.20"
Weight: 8.44lbs
Quantity: 6
UCC: 10046221190035

Units Per Pallet:

NA - 480 Units
International - 378 Units



NOCO

30339 Diamond Parkway, #102
Glenwillow, OH 44139 | USA
1.800.456.6626

no.co

NOCO®