

BACK

FRONT

INSIDE



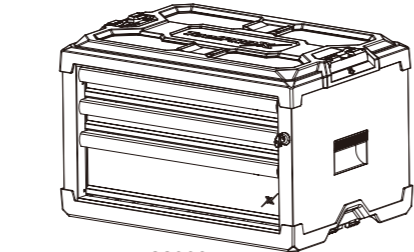
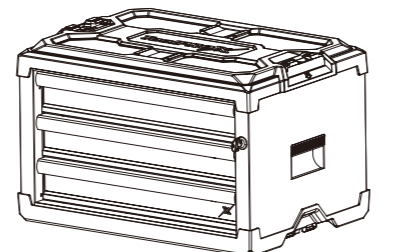
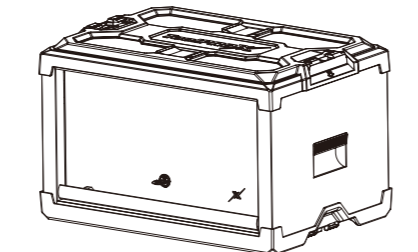
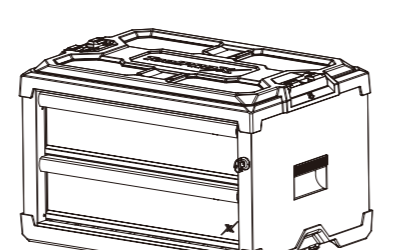
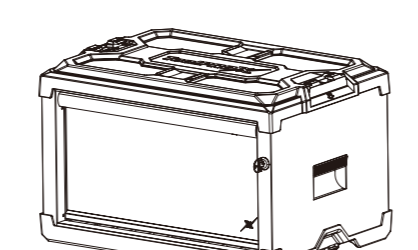
20.5"
MODULAR CABINET

PATENTED AUTO-LOCKING SIDE LATCH MECHANISM ALLOWS FOR UNITS TO BE CONNECTED QUICKLY.
QUICK CONNECT MODULAR SYSTEM ALLOWS SAFE STACKING & EASY TRANSPORT.
STEEL CONSTRUCTION WITH HIGH QUALITY COATING FOR RUST-RESISTANT DURABILITY.
IDEAL SOLUTION FOR ORGANISING & STORING TOOLS IN YOUR GARAGE, WORKSHOP OR VEHICLE.

PLU: 722989/722990/722991/722992/722993
CODE: GS24-095/GS24-096/GS24-097/GS24-099/GS24-100
Manufactured and Packaged for
SRGS PTY LTD
ABN 23 113 230 050
6 Coulthards Avenue, Strathpine,
Queensland 4500, Australia.
MADE IN CHINA.

ToolPROX



MODULAR STORAGE SYSTEM

PRODUCT SPECIFICATIONS	
COMPONENTS	SPECIFICATIONS
Maximum load capacity	25kgs

ITEM #	DESCRIPTION
722989	1-Drawer
722990	2-Drawer
722991	3-Drawer
722992	Lift-up Sliding Door
722993	3-Drawer (2 Shallow, 1 Deep Drawer)

PART	DESCRIPTION
A	Plastic Top
B	Handle
C	Plastic Base
D	Lock & Key
E1	Soft-Close Drawer Slide
E2	Standard Drawer Slide

 Lock x1
 Key x2

01.01

ToolPROX

⚠ SAFETY INFORMATION
Please read and understand this entire manual before attempting to assemble or operate this product. Failure to follow may result in serious injury. Save all warnings and instructions for future reference.

⚠ WARNING

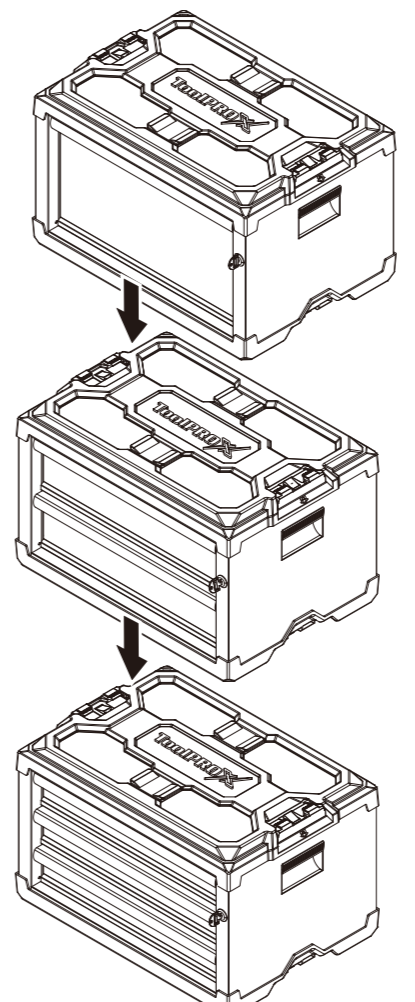
- Do not stand or step on this product. You may fall which may cause personal injury or product damage.
- When locking the product, close the drawers completely in order for the lock bars to work properly.
- Secure this product properly before moving it with a forklift.
- Do not attach or mount this product to a vehicle. This may cause personal injury or product damage.
- To reduce the potential of the product toppling over, load the heaviest items towards the bottom.

CAUTION

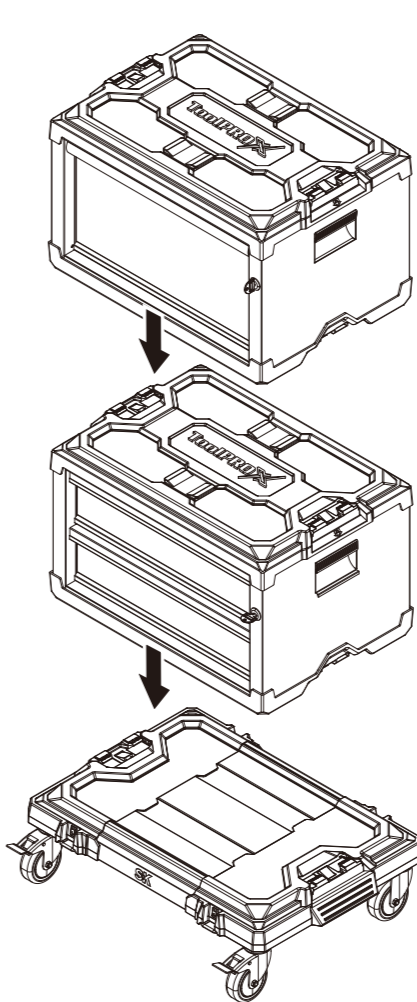
- DO NOT STACK MORE THAN FOUR BOXES TOGETHER.**
- Do not exceed the maximum load capacity. Always balance the toolbox load to avoid tipping. Place the heavier weights on the bottom drawers when possible.
- Be careful when opening more than one drawer. The product may become unstable and tip, which may also cause personal injury or product damage.
- Keep the product on level surfaces. The product may become unstable and tip if stored or moved on an uneven surface, which may cause personal injury or product damage.
- Do not store liquids in the unit unless they are secured in an approved container.
- Keep children and bystanders away while loading and/or unloading.
- Always use common sense and be cautious when using this product. Do not modify this product in any way.

ASSEMBLY INSTRUCTIONS

Auto lock side latches are fully engaged when placing tool box on top of another.



Auto lock side latches are fully engaged when placing tool box on top of dolly/bolt down kit.



DOLLY / BOLT DOWN KIT (722994)
IS AVAILABLE FOR PURCHASE

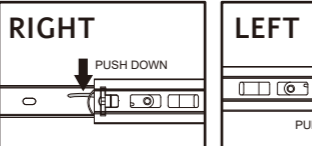
01.02

ToolPROX


OPERATING INSTRUCTIONS

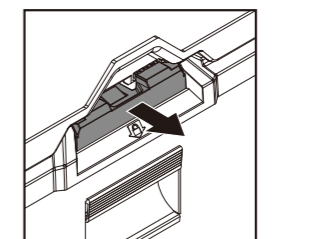
- Removing/Re-inserting the drawers
 - Removing the drawers:** Fully empty and extend the drawer. Pull up the release lever on left side of drawer slide while pushing down on the right release lever. Pull the drawer outward until it is released from the slides.

RIGHT

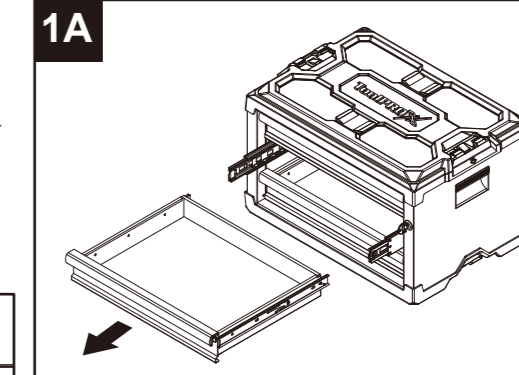


LEFT

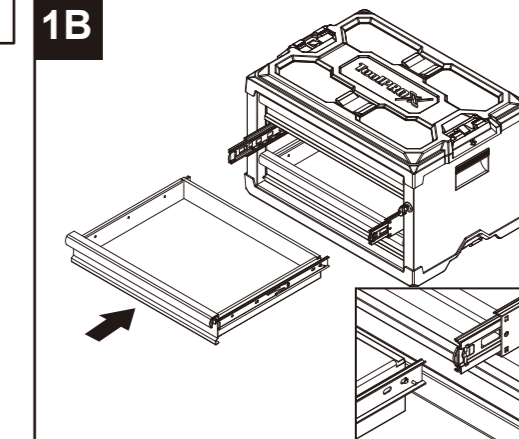

 - Re-inserting the drawers:** Pull the slides and slide carrier out until fully extended. Hold the slide on the drawer while aligning it with the slide on the toolbox. Slightly insert one slide and repeat for the other side. Slowly push the drawer until it is fully closed to engage the slide. Open and close the drawer to verify proper operation.
- Pull the auto lock side latches outwards to unlock and then remove the top tool box.



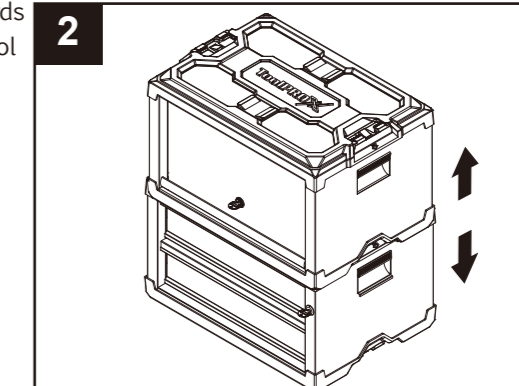
1A



1B



2



CARE AND MAINTENANCE

- Keep the product in good repair by adopting a regular maintenance program.
- Lubricate the slides semi-annually with general purpose grease or equivalent.
- Periodically clean the drawer, door, and other surfaces with a mild detergent and water.
- Remove grease and oil with a standard nonflammable cleaning fluid.

3-YEAR WARRANTY

Our product is guaranteed to be free from quality and manufacturing defects for a period of 36 months.

If your product becomes defective during this period, SRGS PTY LTD will offer you either a replacement, credit or refund where a product is faulty; wrongly described; different from the sample shown to you or do not do what they are supposed to do.

This warranty will not cover substantially modified product; misuse or abuse of the product contrary to user instructions or packaging label; change of mind and normal wear and tear.

Our goods come with guarantees that cannot be excluded under the Australian Consumer Law. You are entitled to a replacement or refund for a major failure and for compensation for any other reasonably foreseeable loss or damage. You are also entitled to have the goods repaired or replaced if the goods fail to be of acceptable quality and failure does not amount to a major failure.

To claim the warranty, take the product to the front Service Desk of your nearest store of purchase. You will need to show receipt or other proof of purchase. Additional information may be required to process your claim. Should you not be able to provide proof of purchase with a receipt or bank statement, identification showing name, address and signature may be required to process your claim.

Any expenses relating to the return of your product to the store will normally have to be paid by you. For online store purchases, SRGS PTY LTD will pay for the return freight for any product assessed as having a major failure.

The benefits to the customer given by this warranty are in addition to other rights and remedies of the Australian Consumer Law in relation to the goods or services to which this warranty relates.

This warranty is provided by SRGS PTY LTD, 6 Coulthards Avenue, Strathpine QLD 4500, Australia. Phone: 1300 175 010.

01.03