



142PC TOOL KIT WITH CABINET

ASSEMBLY INSTRUCTIONS



WARRANTY

Our product is guaranteed to be free from quality and manufacturing defects for a period of 12 months.

If your product becomes defective during this period, SRGS PTY LTD will offer you either a replacement, credit or refund where a product is faulty; wrongly described; different from the sample shown to you or do not do what they are supposed to do.

This warranty will not cover substantially modified product; misuse or abuse of the product contrary to user instructions or packaging label; change of mind and normal wear and tear.

Our goods come with guarantees that cannot be excluded under the Australian Consumer Law. You are entitled to a replacement or refund for a major failure and for compensation for any other reasonably foreseeable loss or damage. You are also entitled to have the goods repaired or replaced if the goods fail to be of acceptable quality and failure does not amount to a major failure.

To claim the warranty, take the product to the front Service Desk of your nearest store of purchase. You will need to show receipt or other proof of purchase. Additional information may be required to process your claim. Should you not be able to provide proof of purchase with a receipt or bank statement, identification showing name, address and signature may be required to process your claim.

Any expenses relating to the return of your product to the store will normally have to be paid by you. For online store purchases, SRGS PTY LTD will pay for the return freight for any product assessed as having a major failure.

The benefits to the customer given by this warranty are in addition to other rights and remedies of the Australian Consumer Law in relation to the goods or services to which this warranty relates.

This warranty is provided by SRGS PTY LTD, 6 Coulthards Avenue Strathpine QLD 4500, Australia. Phone: 1300 175 010.

CAUTION:

Read and follow all safety rules and operating instructions before first use of this product. Retain this document for future reference.

SAFETY WARNINGS AND CAUTIONS:

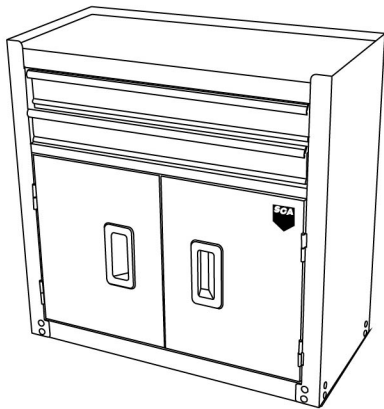
- **WEAR SAFETY GLASSES AND GLOVES** when removing strapping and packing materials. Straps can snap when removed causing personal injury.
- **DO NOT** open more than one drawer at a time as this may cause the product to tip causing personal injury or product damage.
- **DO NOT** alter this product by welding attachments or adding electrical equipment. Do not mount this product on a moving object or vehicle as this may cause the product to tip, causing personal injury or product damage.
- **DO NOT** tow this product with moving equipment or vehicles as this may cause the product to tip, causing personal injury or product damage.
- **DO NOT** step in drawers or on top of unit as this may cause the product to tip. This may cause personal injury or product damage.
- Take caution when closing the cover and remove hands before cover is closed completely.
- To lock the chest, close drawers before closing cover, making sure all drawers are firmly closed to ensure proper function of locking bars.
- Always use the proper sized cabinet and chest combination. Improper matching of cabinet and chest components can cause the product to tip which may result in personal injury or product damage.

- DO NOT use the product on uneven surfaces or inclines as this may cause the product to tip or become unstable resulting in possible personal injury or product damage.

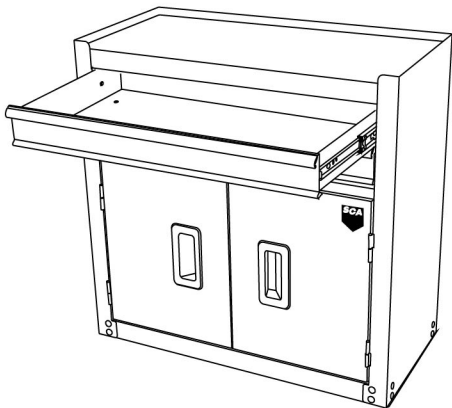
TOOLS LIST

- 6 PCE 3/8" Dr. Metric sockets: 12, 13, 14, 15, 16 & 17mm
- 6 PCE 3/8" Dr. SAE sockets: 5/16, 7/16, 1/2, 9/16, 5/8 & 11/16"
- 3 PCE 3/8" Dr. Metric deep sockets: 10, 12 & 13mm
- 3 PCE 3/8" Dr. SAE deep sockets: 7/16, 1/2 & 9/16"
- PCE 1/4" Dr. Metric sockets: 4, 5, 6, 7, 8, 9, 10 & 11mm
- 8 PCE 1/4" Dr. SAE sockets: 5/32, 7/32, 1/4, 9/32, 5/16, 11/32, 3/8 & 7/16"
- 9 PCE 1/4" Dr. Metric deep sockets: 4, 4.5, 5, 6, 7, 8, 9, 10 & 11mm
- 8 PCE 1/4" Dr. SAE deep sockets: 5/32, 3/16, 7/32, 1/4, 9/32, 5/16, 11/32 & 3/8"
- 1 PCE 75mm 1/4" Dr. Extension bar
- 1 PCE 75mm 3/8" Dr. Extension bar
- 1 PCE 3/8" Dr. 72 Tooth ratchet
- 1 PCE 1/4" Dr. 72 Tooth ratchet
- 1 PCE 150mm Spinner Handle
- 1 PCE 1/4" Dr. hex bit coupler
- 60 PCE 25mm bits
- 9 PCE Metric hex keys: 1.5, 2, 2.5, 3, 3.5, 4, 5, 5.5 & 6mm
- 9 PCE SAE hex keys: 1/16, 5/64, 7/64, 3/32, 1/8, 5/32, 3/16, 7/32 & 1/4"
- 5PCE Spanners: 8, 10, 12, 14 & 17mm
- 1 PCE Tool chest (top): 595 x 255 x 340mm
- 1 PCE Roller tool cabinet (bottom): 615 x 295 x 610mm

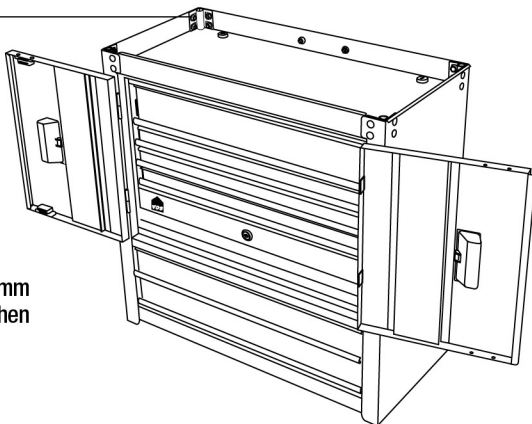
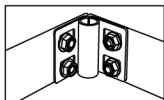
ASSEMBLY



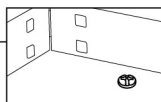
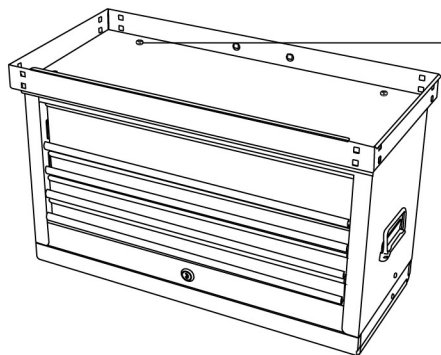
1. Take the product out of the carton.



2. Open the drawer, then take out the tools.

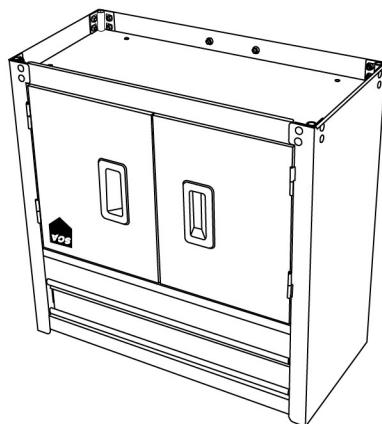


3. Put the product upside down; unscrew M6 x 10mm bolts, and nuts; there are 18 sets of them. Then take the chest out of the cabinet.

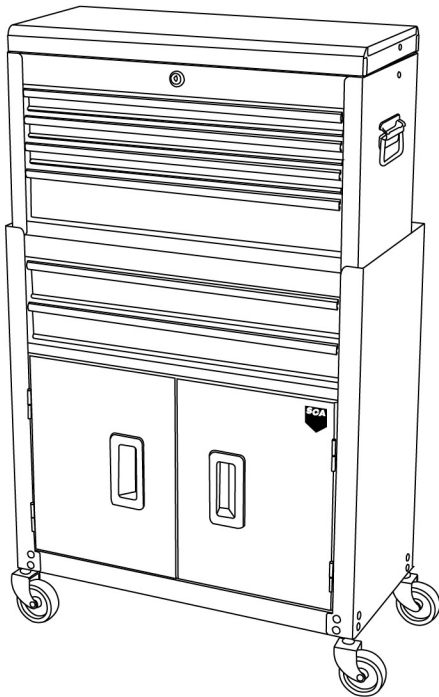
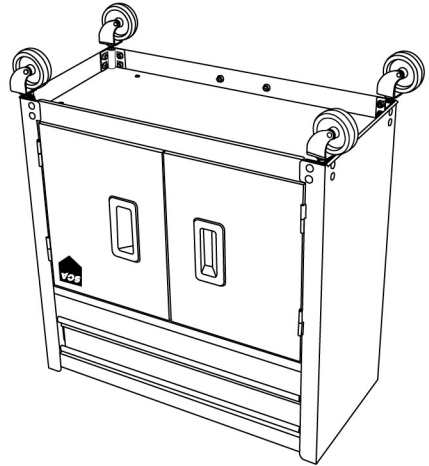


4. Take the top chest out, and then unscrew four M6 x 12mm screws to remove the bottom piece from the chest.

5. Put the bottom piece (that has just been removed from the top chest) back on the cabinet with 18 sets of M6 x 10mm bolts and nuts.



6. Install 4 x castor wheels to the cabinet by inserting the shafts into the receptacles. Ensure they are fixed in place before turning the cabinet upside down, onto the castor wheels.



7. Put the chest on the top of the cabinet to complete the assembly.



QUALITY
ASSURED



142PC TOOL KIT WITH CABINET

ASSEMBLY INSTRUCTIONS



Manufactured & packaged for SRGS PTY LTD ABN 23 113 230 050
6 Coulthards Avenue Strathpine QLD 4500, Australia