

INSTRUCTIONS FOR USE:

Thank you for purchasing the Bigboi Buddi Jnr. Before you start enjoying the features and benefits of touchless drying please take a minute to read the below and familiarise yourself with the dryer.

IN THE BOX

- Bigboi Blower Buddi Jnr
- 1 replacement filter
- 2 hose nozzles

Open the dryer box, take out the dryer, and check its appearance, if there is no damage, proceed with the following steps:

1. Take dryer out of the box and connect the desired nozzle in a screwing motion, fastening the nozzle to the unit.
2. Plug in the dryer (please make sure the power supply voltage in your country matches the machine);
3. Switch on the dryer to enjoy warm filtered air with touchless drying.

IMPORTANT NOTICE

1. This machine use AC power source, power must have good grounding before used.
2. To maintain a smooth flow of air, please keep a safe distance from the surface. This will allow the warm filtered air to travel smoothly over a larger surface making the drying more efficient and preventing it from taking in water which may damage the machine.
3. Clean the filter regularly to ensure a smooth air flow.
4. Do not let minors close or play with the machine!

MAINTENANCE INSTRUCTION

1. The shell of the machine can be cleaned with a soft cloth and neutral detergent solution (to avoid spoiling the paint work) then use a dry cloth to clean it.
2. Use water or a strong fan to clean the filters regularly. Note that filters must be dry before operating the machine. The machine has a standby filter packaged with it.
3. When the machine runs out of carbon brush, please contact a professional to check and update the required parts.

For further information on any Bigboi products, please contact sales@ibigboi.com

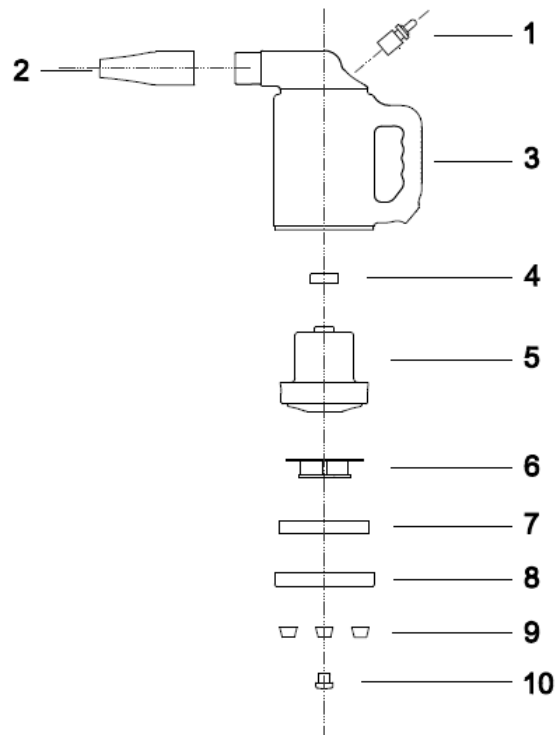
BIGBOI BLOWR INSTRUCTION MANUAL

BLOWR BUDDI JNR



TOUCHLESS CAR, MOTORCYCLE & MARINE DRYER

STRUCTURE REPRESENTATION



1. Power switch
2. Nozzle
3. Cover
4. Rubber mat
5. Electric motor
6. Fixed plate
7. Filter
8. Back cover
9. Mats
10. Nut

PRODUCT FEATURES

See the label of the machine.

FUNCTIONS & FEATURES

Soft Start

Thanks to the protection from current buffers, when the dryer starts, the dryer will not discharge any impulse current, exerting no adverse influence upon the neighboring working electrical equipment.

Low Noise and Powerful Airflow

The specially-designed noise reduction system will deliver 10%-greater airflow than any other single-motor dryers, with over 1.2HP (1000watts) *subject to your region*. This model can dry your car, motorcycles, boat or ski

Full Function

This model is especially designed with high speed setting, which can work at full speed, as well as minimum airflow and high-heat settings, allowing precision drying and accurate wind speed when needed.

BBT (Bigboi Temperature Technology)

Single Stage warm filtered air fixed at 25c higher than the surrounding environment. All this available at a touch of your fingertips.

ON/OFF control

The toggle switch will turn the unit from an OFF position to an ON position. This will allow the user to enjoy wind speed up to 200kmh.

Accessories

Visit your supporting countries distributors' website to see how you can make your blower even more awesome or visit www.ibigboi.com.

Warranty 12 months

BIGBOI warrants your new product to be free from defects in materials and workmanship for the period from the date of purchase, provided that the product is used in accordance with accompanying recommendations or instructions where provided

ibigboi.com