



G4KDVR30

ENGLISH QUICK START GUIDE



For more information
on the Gator range
go to our website

gatordriverassist.com 

INCLUSIONS:

Dash Cam, GPS/USB Power Cable, Adhesive Surface Mount,
12/24V In-Car Charger, 32GB Micro SD Card

Table of contents

| | |
|--|----|
| Table of contents..... | 2 |
| Product information..... | 3 |
| Product overview..... | 4 |
| Product features..... | 4 |
| System contents..... | 5 |
| Optional accessories..... | 6 |
| Product structure..... | 7 |
| Fixing the Dash Cam..... | 8 |
| Installation of Dash Cam..... | 8 |
| Downloading the Dash Cam WiFi App..... | 10 |
| First time pairing procedure for iOS Devices..... | 11 |
| First time pairing procedure for Android Devices.. | 12 |
| Successful pairing of your device..... | 13 |
| Formating SD card..... | 13 |
| Downloading to your phone..... | 14 |
| GPS logger..... | 15 |
| Hand Gesture Control (Photo/ Video)..... | 15 |
| Product specifications..... | 16 |
| Trouble shooting guide..... | 17 |
| Safety information & warnings..... | 22 |
| Infringement of copyright warning..... | 23 |
| Technical assistance..... | 23 |

Product information

For more information, videos and user guides, visit our website, gatordriverassist.com/G4KDVR30 or scan the following QR code:



Please ensure that you have read the product manual and instructions prior to installation and use. Failure to do so may result in the product incorrectly operating or an installation that renders the device unusable.

Product overview

The Gator G4KDVR30 Ultra High Definition Dash Cam has been designed to provide high definition recordings of your road trips for security and evidence in the case of an accident. This Dash Cam mounts to the windscreen and records footage onto a memory card. It has a built-in WiFi interface that connects it wirelessly to your smartphone. This device operates through a user interface on your smart phone via the Gator Dash Cam App. (downloaded from the Apple App Store or Google Play Store).

Product features

- ❑ 4K UHD 3840*2160P @ 30FPS
- ❑ 140 Degree HD wide angle lens
- ❑ WiFi enabled (2.4Ghz)
- ❑ WiFi Via free App to Smartphone
- ❑ Hand gesture photo / video function
- ❑ Time and date stamp
- ❑ G-Sensor function
- ❑ Parking Mode (optional GHWCUSB2 req)
- ❑ Rear camera (optional G4K30RC req)
- ❑ GPS data recording
- ❑ Super capacitor
- ❑ Multi language support
- ❑ Seamless cycle loop recording
- ❑ Micro USB interface/ 12V in-car USB charger
- ❑ Adhesive car mount
- ❑ 32GB Memory card (Supporting SDHC Card up to 256GB)

System contents



Gator Dash Cam & Adhesive Mount



Dash Cam GPS
power cable



Car Charger/ USB
Power adapter



Memory card

Optional accessories (sold separately)

Hardwire Kit. (GHWCUSB2) Needed for Park Mode operation and to free up the vehicles 12V socket for other usage.

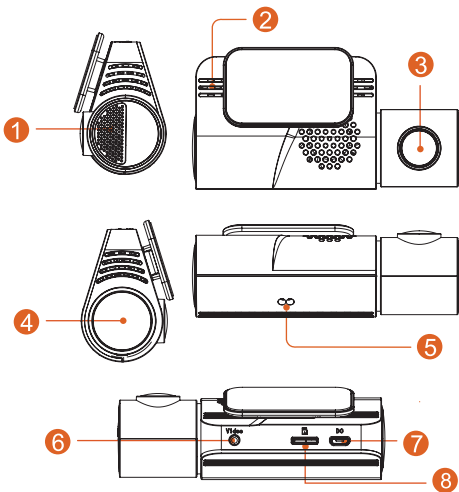


Rear camera (G4K30RC)



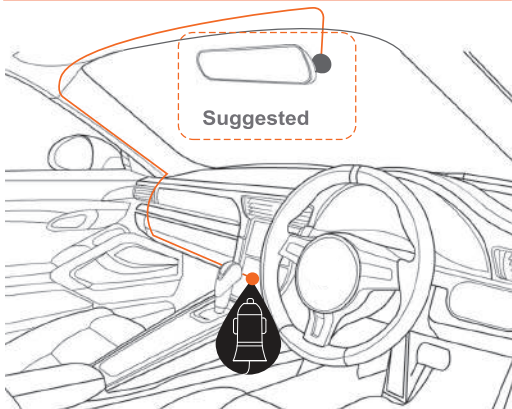
NOTE: Recorded resolution will change to 24 fps when rear camera added

Product structure



- | | |
|---|------------------------------------|
| 1) Speaker | 5) Hand gesture sensor |
| 2) Microphone | 6) Optional Rear Dash Cam Input |
| 3) Camera lens | 7) Power Input |
| 4) LED turn on/off, pulses when paired with phone, solid when recording | 8) MicroSD Card Slot |

Fixing the Dash Cam



Installation of Dash Cam

1. Place mounting bracket onto the Dash Cam by sliding on fixing point. Orientate the device so the when you attach it to the wind screen, the USB socket is on the right hand side (looking from inside the car) and its lens is on the left. The the Hand Gesture Sensor faces down.
2. Fix the device onto a clean part of the windscreen toward the centre where the vision is not obstructed. (Make sure its VERY clean to ensure proper adhesion).

A place close to the rear-view mirror is ideal in most cases. Do not install the device near an airbag. (Airbags are often installed along the outer left- and right-hand sides of the windscreen).

3. Insert the included Micro SD card into the Dash Cam
4. Insert the Micro USB end of the GPS power cable into the Micro USB socket of the Dash Cam. Remove backing off 3M tape of GPS cable and fix to window. Connect the full-size USB plug into the USB socket of the power adapter, insert the power adapter into a free 12V power socket in the vehicle. The power cable is long enough to run along the head lining, down the A pillar, under and across the Dash to the transmission tunnel where it should be in range of the vehicles 12V accessory power socket as shown in the diagram above.
5. Rotate the Camera direction so that it is facing forward and slightly down from horizontal. Later, using the App, you can align it exactly so that 1/4 of the vehicles bonnet is visible at the bottom of the Cameras image.
6. Turn the vehicles ignition to accessories, the Dash Cam should automatically power ON, you will hear an audible tone once powered. (Some 12V sockets require ignition on).
7. A red LED will start flashing and recording will start. The unit records footage in small blocks. When the card is full, the unit will replace the oldest recordings with the newest footage as it is recorded. The available history is dependent on the size of the SD cards capacity.

8. The Dash Cam starts recording automatically when it receives power from the power adapter. Once power is turned off (when you turn the car off), the Dash Cam will use its on-board super capacitor to save the current file and then turn itself off.

Downloading the Dash Cam WiFi App

On your iOS or Android smartphone, search for the "**Gator Dash Cam App**". Scan the QR code below for the suitable smartphone APP for your device.



Gator Dash Cam App store download

<https://apps.apple.com/au/app/gator-dash-cam/id1541941092>

Gator Dash Cam Google Play download

<https://play.google.com/store/apps/details?id=au.com.tdj.gator.dashcams>

First time pairing procedure for iOS Devices

1. Download the App from the App Store
2. Turn off Mobile Data in settings
3. Turn on location services in settings
4. Open the App
5. Select go to WiFi settings and then connect
6. Select the dash cam G4KDVR30-XXX
7. Open the App again
8. Press "Copy" the current network name on App home screen
9. Enter WiFi password 12345678
10. Name the device i.e Dash Cam or the Vehicle it is installed in
11. Select "Save Device"
12. The dash cam will appear under paired devices
13. A notification may appear, "Gator Dash Cam" wants to join WiFi Network "G4KDVR30-XXX"?- Select "Join"
14. Another notification may appear, "Gator Dash Cam" would like to find and connect to devices on your local network - Select "OK"
15. You can now view your dash cam and adjust it's settings via the Gator Dash Cam App.

First time pairing procedure for Android Devices

1. Download the App from the Google Play Store
2. Turn off Mobile Data in settings
3. Turn on location services in settings
4. Open the App
5. Select go to WiFi settings and then connect
6. Select the dash cam G4KDVR30-XXX
7. Open the App again
8. Press "Copy" the current network name on App home screen
9. Enter WiFi password 12345678
10. Name the device i.e Dash Cam or the Vehicle it is installed in
11. Select "Save Device"
12. The dash cam will appear under paired devices
13. A notification may appear, "Gator Dash Cam" wants to join WiFi Network "G4KDVR30-XXX"?- Select "Join"
14. Another notification may appear, "Gator Dash Cam" would like to find and connect to devices on your local network - Select "OK"
15. You can now view your dash cam and adjust it's settings via the Gator Dash Cam App.

After first successful WIFI pairing of your device

After your initial pairing of your device to the Dash Cam's WiFi network mobile data should be left off when using the app, as in some cases it wont work for some iOS devices. The app may show a pop up message to turn off mobile data when connecting to the Dash Cam.

Formatting the SD Card

You should do this at least every 2 to 3 months

You can format your SD card using the Gator Dash Cam App. It will ask you to confirm before formatting. It is recommended you do this to keep the card in good running order and to ensure you purge any locked footage that may have been saved in the past that you no longer need and is taking up space. Note: Back up files you wish to keep prior to formatting, as formatting will delete ALL files on the SD Card.

PLEASE NOTE: SD cards have a finite life. Their life is based on the amount of times the card is written to. The SD card WILL eventual wear out over time.

Dash Cams are very heavy users of the SD card because they are constantly writing to memory. Some cards have a longer life than others. The longest life cards are often labelled as “ENDURANCE” or “HEAVY DUTY”

Downloading to your phone

Using the Gator Dash Cam App you can download videos to your smartphone. If you have a lot of videos, it may take a bit of time before it will load images onto your screen, it may appear empty to start with, be patient, the video images should appear in a minute. Patience is needed while it downloads the videos, the more videos you select, the longer it will take to download. Please keep in mind that this footage is Ultra High Definition and is quite large. (Make sure there is sufficient space on your phone).

GPS logger

GPS geolocation data is automatically saved to the video files of the Dash Cam. This can be viewed using the Gator Dash Cam App or the computer GPS player software which can be downloaded from the gatordriverassist.com website.

ATTENTION: To avoid any possible GPS signal interference, make sure the Dash Cam is away from any other car audio equipment.

Hand Gesture Control (Photo / Video)

Wave your hand under the dash cam (past the hand gesture sensor) to take an image and save a video file. This feature will work while the dash cam is powered on and operating in continuous recording mode. The Gesture Photographing setting must be switched on via the app to enable this feature.

Product specifications

- ❑ 4K Camera, 4K recording
- ❑ Sony IMX415 CMOS sensor
- ❑ G-sensor three axis accelerometer
- ❑ WiFi 2.4GHz 802.11 b/g/n
- ❑ Lens 140 degree wide angle fixed focus, F = 2.0
- ❑ Languages supported
English, French, German, Italian & Spanish
- ❑ Video format MP4
- ❑ Video resolution 3840*2160P @30FPS
- ❑ Video codec. H. 264
- ❑ Loop recording with seamless 3 min blocks
- ❑ Auto turn on/off while car power on/off
Supports turn on while car starts and turn off while car turns off.
- ❑ Date stamp supported
- ❑ Still images photo resolution: 8 MP
- ❑ Photo format JPEG
- ❑ Micro SD SDHC/XC (Class 10 up to 256GB Max)
- ❑ MIC/ built-in speaker supported
- ❑ In built Super capacitor
- ❑ CPU NOVATEK 96670
- ❑ Frequency 50HZ/60HZ
- ❑ Micro USB power input
- ❑ SOS lock function supported
- ❑ Working voltage & current DC 5V/1A

Trouble shooting guide

Under normal operating conditions, if there are problems with the device, please refer to the following methods to resolve them.

Problem: Cannot take pictures or record video?

Solution: • This kind of issue is almost ALWAYS an issue related to the Memory card. Please check whether there is enough space on the micro SD. As mentioned earlier some footage is write protected and accumulates on the SD card over time.

- Format the SD card to be sure the card is no longer full of write protected footage.
- If the device keeps Stopping automatically while recording or it is recording Jumpy footage with dropped frames, this may be due to the SD cards write speed.
- You must use a high-speed micro SD card. To tell if you have the required high-speed card, check if it has the 'Micro SDHC/XC' logo on the SD card. Cards are often labelled as HD video capable but that is not always true. HD recording requires a Card with class 10, the card should have this printed on it somewhere.

Trouble shooting guide

Problem: The adhesive mount will not stay attached to the windscreen

Solution: • Ensure windscreen is clean and free of debris, use glass cleaner or an alcohol swab to clean.

- Ensure that the plastic film has been removed from the adhesive pad.
- When mounting hold the bracket firmly to the windscreen for at least 60 seconds.

Problem: The Dash Cam will not power on

Solution: • Vehicle Accessory Socket - Check the vehicle accessory socket has power, simply plug another device and see if it powers up (or use a test light / multimeter to check for power).

- Dash Cam Power Cable - Check the fuse in the tip of the accessory plug, it may need to be replaced.
- Dash Cam - Connect the Dash Cam to a computer via the USB cable to see if it powers up.

Problem: The Dash Cam shuts down when connected to the vehicle and the battery will not charge

Solution: • This Dash Cam does not have a battery, it has a Super Capacitor.

- The Dash Cam will only turn on when the vehicle is switched on.

Trouble shooting guide

Problem: The Dash Cam battery only lasts for a few minutes when power is disconnected

Solution: • This Dash Cam does not have a battery, it has a Super Capacitor.

- The Super Capacitor only holds enough power to safely shut down the Dash Cam, securely save the last file when power is disconnected and retain settings.
- The Dash Cam is designed to be connected to power at all times while being used.

Problem: The WiFi does not seem to be connecting / the Dash Cam won't connect with my phone

Solution: • Ensure WiFi is switched on in your mobile phone settings and select your Dash Cam from the device list.

- Make sure you have entered the correct password for the device (12345678).
- If the device is still not connecting correctly, forget the Dash Cam from the phone through the settings, reset the Dash Cam, restart the mobile phone, and then try again.
- Check your phone has the latest software update and also check the App has been updated with the latest version.

Trouble shooting guide

Problem: The Dash Cam feels warm when it is operating

Solution: • It is normal for the Dash Cam to feel warm to the touch during typical use, especially when it is recording HD video.

Problem: The Dash Cam stops automatically while recording

Solution: • Check to see whether there is enough space on the Micro SD card.

- Ensure correct Micro SD card is being used, 8-64Gb Class 10 or above Micro SDHC/XC is recommended. Other types of Micro SD cards may not be suitable for use in Dash Cams.
- If the correct Micro SD Card is being used, format the Micro SD Card in a computer.
- Micro SD cards have a limited lifespan and become corrupt after a period of time. This is due to the continuous loop recording function. If this has occurred, you will need to replace you Micro SD Card.

Problem: The Micro SD card is not recognised by the Dash Cam

Solution: • Format the Micro SD card before using. Be sure the Micro SD card is compatible with the device, see “The Dash Cam stops automatically while recording” fault above.

Trouble shooting guide

Problem: Cannot record video or take pictures

Solution: • Check to see whether there is enough space on the Micro SD card. If not, the Micro SD card will need to be formatted.

Problem: Video files can not be played on the PC

Solution: • The video files from the Dash Cam are in .MOV format and may not be compatible with your PC if suitable playback software is not installed.

Problem: My videos are blurry, dirty or discoloured

Solution: • Check to see if there are any finger prints or dirt present on the Camera lens. If needed, clean with a soft dry cloth before recording.
• Remove the transparent lens cover during installation.

Problem: The Dash Cam is frozen or not responding

Solution: • Reset the unit by pushing and holding the reset button for a few seconds and try again.
• Format Micro SD Card in a computer.

Problem: Unresolved issues

Solution: • Reset the unit by pushing and holding the reset button for a few seconds and try again.
• Format Micro SD Card in a computer.
• Should the problem persist please contact your Gator Service Agent for your country.

Safety information & warnings

Do not use the Dash Cam in damp working conditions; the Dash Cam is not waterproof.

Do not try opening the shell or trying to repair the Dash Cam by yourself.

If the Dash Cam or its accessories have any problems and is still under warranty, then take it back to the place of purchase with the original purchase receipt.

If out of warranty then contact the authorised repair agent, Gator Support.

Do not use a chemical substance, cleaning solvent or cleaner to clean the Dash Cam, please use a moist soft cloth if you would like to clean the Dash Cam.

Do not use the Dash Cam under conditions where dust is present.

Please pay attention to cleaning the lens surface, use a moist soft cloth to clean the lens before use, to avoid poor video footage.

Infringement of copyright warning

Please note that this product is for personal use only, the method of use shall not violate the goods infringe on domestic or international copyright laws. Even recorded images for personal use only, please note that in some cases to use this product to record performances, exhibitions or business activities of the images may infringe the copyright or other legal rights and interests of others.

Technical assistance



For Australasian support

TEL: 03 – 8587 8898 FAX: 03 – 8587 8866

Mon-Fri 9am – 5pm AEST

EMAIL - service@gator.com.au

For European support

support.connects2.com/tickets/technical

If you would like to download a digital copy of this quick start guide, or other Gator manuals/software, please visit the <http://gatordriverassist.com> website and click on ‘Firmware & Manuals’ or alternatively go directly to the product page.

A video viewing App is also available to download from the website.

This quick start guide is considered correct at time of printing but is subject to change. For latest quick start guide, manuals and updates refer to the website.

Copyright © 2021 by TDJ Australia

All rights reserved. No part of this publication may be reproduced, distributed, or transmitted in any form or by any means, including photocopying, recording, copying or other electronic or mechanical methods, without the prior written permission of the author.

Please retain this user guide for future reference.





GATOR

G4KDVR30

GUIDE DE DÉMARRAGE RAPIDE EN FRANÇAIS



Pour plus d'informations
sur la gamme Gator,
consultez notre site web

gatordriverassist.com 

INCLUSIONS:

Dash Cam, câble d'alimentation GPS/USB, support de surface adhésif,
Chargeur de voiture 12/24V, Carte Micro SD 32Go

Table des matières

| | |
|---|----|
| Table des matières..... | 2 |
| Informations sur le produit..... | 3 |
| Synthèse du produit..... | 4 |
| Fonctionnalités du produit..... | 4 |
| Contenu du système..... | 5 |
| Accessoires optionnels..... | 6 |
| Structure du produit..... | 7 |
| Fixation de la DashCam..... | 8 |
| Installation de la Dash Cam..... | 8 |
| Téléchargement de l'application Dash Cam WiFi...11 | |
| Première procédure de couplage pour les appareils iOS | 12 |
| Première procédure de couplage pour les appareils Android | 13 |
| Après le premier couplage WIFI réussi de votre appareil..... | 14 |
| Formatage de la carte SD..... | 14 |
| Télécharger sur votre téléphone..... | 15 |
| Enregistreur GPS..... | 16 |
| Contrôle gestuel de la main (Photo / Vidéo)..... | 16 |
| Spécifications du produit..... | 17 |
| Guide de dépannage..... | 18 |
| Informations de sécurité & mises en garde..... | 23 |
| Violation du droit d'auteur..... | 24 |
| Assistance technique..... | 24 |

Informations sur le produit

For more information, videos and user guides, visit our Pour plus d'informations, des vidéos et des guides d'utilisation, visitez notre site Web, gatordriverassist.com/G4KDVR30 ou scannez le code QR suivant :



Veillez vous assurer que vous avez lu le manuel et les instructions du produit avant de l'installer et de l'utiliser. Le non-respect de cette consigne peut entraîner un mauvais fonctionnement du produit ou une installation qui rend l'appareil inutilisable.

Synthèse du produit

La Gator G4KDVR30 Ultra High Definition Dash Cam a été conçue pour fournir des enregistrements haute définition de vos voyages sur la route pour la sécurité et les preuves en cas d'accident. Cette Dash Cam se monte sur le pare-brise et enregistre les séquences sur une carte mémoire. Elle dispose d'une interface WiFi intégrée qui la connecte sans fil à votre smartphone. Cet appareil fonctionne grâce à une interface utilisateur sur votre smartphone via l'application Gator Dash Cam App. (téléchargée sur l'Apple App Store ou le Google Play Store).

Fonctionnalités du produit

- 4K UHD 3840*2160P @ 30FPS
- Objectif grand angle HD de 140 degrés
- Compatible avec le WiFi (2.4Ghz)
- WiFi via une application gratuite sur le Smartphone
- Fonction photo/vidéo par geste de la main
- Horloge et date
- Fonction G-Sensor
- Mode parking (GHWCUSB2 en option)
- Caméra arrière (G4K30RC en option)
- Enregistrement des données GPS
- Super condensateur
- Support multi-langues
- Enregistrement en boucle sans interruption
- Interface Micro USB/ Chargeur USB 12V pour voiture
- Support adhésif pour voiture
- Carte mémoire de 32 Go
(compatible avec les cartes SDHC jusqu'à 256 Go)

Contenu du système



Gator Dash Cam et support adhésif



Câble d'alimentation
pour Dash Cam GPS



Chargeur de voiture/ USB
Adaptateur secteur



Carte mémoire

Accessoires optionnels

Kit de câblage. (GHWCUSB2) Nécessaire pour le fonctionnement en Mode Parc et pour libérer la prise 12V du véhicule pour un autre usage.

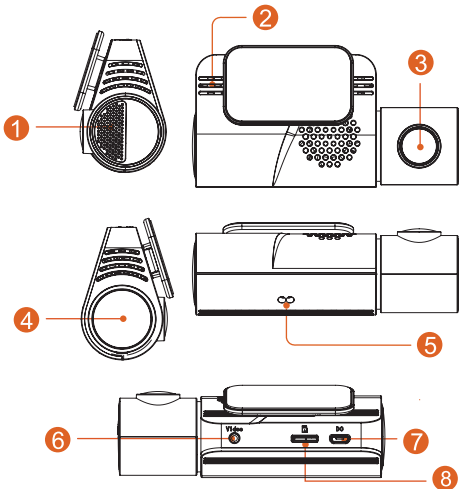


Caméra arrière (G4K30RC)



REMARQUE : la résolution d'enregistrement passe à 24 ips lorsque la caméra arrière est ajoutée.

Structure du produit



1) Haut-parleur

2) Microphone

3) Objectif de la caméra

4) La LED s'allume/se désactive, émet des impulsions lorsqu'il est couplé au téléphone, fixe lors de l'enregistrement

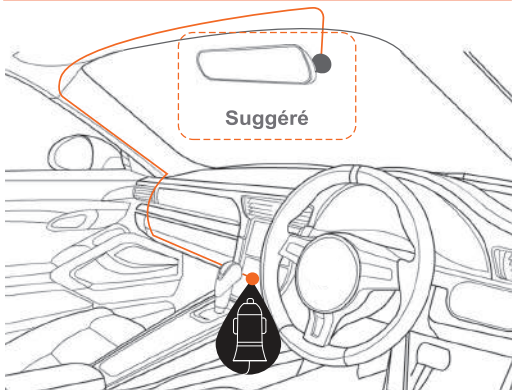
5) Capteur de gestes de la main

6) Caméra arrière en option
Cam Input

7) Entrée d'alimentation

8) Emplacement pour carte
MicroSD

Fixation de la DashCam



Installation de la Dash Cam

1. Placez le support de montage sur la Dash Cam en glissant sur le point de fixation. Orientez l'appareil de telle sorte que quand vous le fixez à votre pare-brise, le port USB se trouve sur le côté droit (regardant de l'intérieur de la voiture) et sa lentille sur le côté gauche. Le capteur gestuel orienté vers le bas.
2. Fixez l'appareil sur une partie propre du pare-brise vers le centre où la vision n'est pas obstruée. (Assurez-vous qu'il est TRÈS propre pour assurer une bonne adhérence).

Un endroit proche du rétroviseur est idéal dans la plupart des cas. N'installez pas l'appareil à proximité d'un airbag. (Les airbags sont souvent installés le long des côtés extérieurs gauche et droit du pare-brise).

3. Insérez la carte Micro SD incluse dans la Dash Cam

4. Insérez l'extrémité Micro USB du câble d'alimentation du GPS dans la prise Micro USB du Dash Cam. Retirez le ruban adhésif 3M du câble GPS et fixez-le à la fenêtre. Branchez la fiche USB pleine grandeur dans la prise USB de l'adaptateur d'alimentation, insérez l'adaptateur d'alimentation dans une prise de courant 12V libre dans le véhicule. Le câble d'alimentation est suffisamment long pour passer le long de la garniture de toit, le long du montant A, sous et à travers le tableau de bord jusqu'au tunnel de transmission où il doit être à portée de la prise d'alimentation accessoire 12V du véhicule, comme indiqué dans le schéma ci-dessus.

5. Faites pivoter la direction de la caméra de sorte qu'elle soit orientée vers l'avant et légèrement vers le bas par rapport à l'horizontale. Plus tard, en utilisant l'application, vous pouvez l'aligner exactement de sorte que 1/4 du capot du véhicule soit visible en bas de l'image des caméras.

6. Mettez le contact du véhicule sur les accessoires, la Dash Cam devrait automatiquement s'allumer, vous entendrez une tonalité audible une fois alimentée. (Certaines prises 12V nécessitent un contact).

7. Une LED rouge commencera à clignoter et l'enregistrement commencera. L'unité enregistre des images en petits blocs. Lorsque la carte est pleine, l'unité remplacera les enregistrements les plus anciens par les séquences les plus récentes au fur et à mesure de leur enregistrement. L'historique disponible dépend de la taille de la capacité des cartes SD.

8. La Dash Cam démarre automatiquement l'enregistrement lorsqu'elle est alimentée par l'adaptateur. Une fois l'alimentation coupée (lorsque vous éteignez la voiture), la Dash Cam utilisera son super condensateur

Téléchargement de l'application Dash Cam WiFi

Sur votre smartphone iOS ou Android, recherchez l'application "Gator Dash Cam App". Scannez le code QR ci-dessous pour trouver l'APP pour smartphone qui convient à votre appareil.

Gator Dash Cam App store download

<https://apps.apple.com/au/app/gator-dash-cam/id1541941092>



Gator Dash Cam Google Play download

<https://play.google.com/store/apps/details?id=au.com.tdj.gator.dashcams>



Première procédure de couplage pour les appareils iOS

1. Téléchargez l'application depuis l'App Store
2. Désactivez les données mobiles dans les paramètres.
3. Activez les services de localisation dans les paramètres.
4. Ouvrez l'application
5. Sélectionnez aller dans les paramètres WiFi, puis connectez-vous
6. Sélectionnez la dash cam G4KDVR30-XXX
7. Ouvrez à nouveau l'application
8. Appuyez sur "Copier" le nom du réseau actuel sur l'écran d'accueil de l'application.
9. Entrez le mot de passe WiFi 12345678
10. Nommez l'appareil, par exemple Dash Cam ou le véhicule dans lequel il est installé.
11. Sélectionnez "Enregistrer le dispositif".
12. La caméra de tableau de bord apparaît dans la liste des dispositifs jumelés.
13. Une notification peut apparaître, "Gator Dash Cam" veut rejoindre le réseau WiFi "G4KDVR30-XXX" - Sélectionnez "Join".
14. Une autre notification peut apparaître, "Gator Dash Cam" souhaite trouver et se connecter à des appareils sur votre réseau local - Sélectionnez "OK".
15. Vous pouvez maintenant visualiser votre dash cam et régler ses paramètres via l'application Gator Dash Cam.

Première procédure de couplage pour les appareils Android

1. Téléchargez l'application depuis le Google Play Store
2. Désactivez les données mobiles dans les paramètres.
3. Activez les services de localisation dans les paramètres.
4. Ouvrez l'application
5. Sélectionnez aller dans les paramètres WiFi, puis connectez-vous
6. Sélectionnez la dash cam G4KDVR30-XXX
7. Ouvrez à nouveau l'application
8. Appuyez sur "Copier" le nom du réseau actuel sur l'écran d'accueil de l'application.
9. Entrez le mot de passe WiFi 12345678
10. Nommez l'appareil, par exemple Dash Cam ou le véhicule dans lequel il est installé.
11. Sélectionnez "Enregistrer le dispositif".
12. La caméra de tableau de bord apparaît dans la liste des dispositifs jumelés.
13. Une notification peut apparaître, "Gator Dash Cam" veut rejoindre le réseau WiFi "G4KDVR30-XXX" - Sélectionnez "Join".
14. Une autre notification peut apparaître, "Gator Dash Cam" souhaite trouver et se connecter à des appareils sur votre réseau local - Sélectionnez "OK".
15. Vous pouvez maintenant visualiser votre dash cam et régler ses paramètres via l'application Gator Dash Cam.

Après le premier couplage WIFI réussi de votre appareil

Après le couplage initial de votre appareil au réseau WiFi de la Dash Cam, les données mobiles doivent être désactivées lorsque vous utilisez l'application, car dans certains cas, elle ne fonctionne pas avec certains appareils iOS. L'application peut afficher un message contextuel demandant de désactiver les données mobiles lors de la connexion à la Dash Cam.

Formatage de la carte SD

Vous devez le faire au moins tous les 2 à 3 mois

Vous pouvez formater votre carte SD en utilisant l'application Gator Dash Cam. Il vous sera demandé de confirmer avant le formatage. Il est recommandé de procéder ainsi pour maintenir la carte en bon état de fonctionnement et pour vous assurer que vous purgez toutes les séquences verrouillées qui ont pu être sauvegardées antérieurement et dont vous n'avez plus besoin et qui occupent de l'espace. Remarque : Sauvegardez les fichiers que vous souhaitez conserver avant le formatage, car le formatage supprimera TOUS les fichiers sur la carte SD.

VEUILLEZ NOTER : Les cartes SD ont une durée de vie limitée. Leur durée de vie est basée sur le nombre de fois où la carte est écrite. La carte SD finira par s'user avec le temps.

Les Dash Cams sont de très gros utilisateurs de la carte SD car elles écrivent constamment en mémoire. Certaines cartes ont une durée de vie plus longue que d'autres. Les cartes à durée de vie plus longue sont souvent étiquetées "ENDURANCE" ou "HEAVY DUTY"

Téléchargement sur votre téléphone

En utilisant l'application Gator Dash Cam, vous pouvez télécharger des vidéos sur votre smartphone. Si vous avez beaucoup de vidéos, cela peut prendre un peu de temps avant de charger les images sur votre écran, il peut sembler vide au début, soyez patient, les images vidéo devraient apparaître dans une minute. Il faut être patient pendant le téléchargement des vidéos, plus vous sélectionnez de vidéos, plus le téléchargement sera long. N'oubliez pas que ces séquences sont en ultra haute définition et qu'elles sont assez volumineuses. (Assurez-vous qu'il y a suffisamment d'espace sur votre téléphone).

Enregistreur GPS

Les données de géolocalisation GPS sont automatiquement enregistrées dans les fichiers vidéo de la Dash Cam. Ces données peuvent être visualisées à l'aide de l'application Gator Dash Cam ou du logiciel de lecture GPS pour ordinateur qui peut être téléchargé sur le site gatordriverassist.com.

ATTENTION : Pour éviter toute interférence possible avec le signal GPS, assurez-vous que la Dash Cam est éloignée de tout autre équipement audio de voiture.

Contrôle gestuel de la main (Photo / Vidéo)

Passez votre main sous le dash cam (devant le capteur de geste de la main) pour prendre une image et enregistrer un fichier vidéo. Cette fonction fonctionne lorsque la caméra est allumée et fonctionne en mode d'enregistrement continu. Le paramètre Gesture Photographing doit être activé via l'application pour activer cette fonction.

Spécifications du produit

- Caméra 4K, enregistrement 4K
- Capteur CMOS Sony IMX415
- Accéléromètre trois axes G-sensor
- WiFi 2,4 GHz 802.11 b/g/n
- Objectif grand angle 140 degrés à focalisation fixe, F = 2.0
- Langues prises en charge
Anglais, français, allemand, italien et espagnol
- Format vidéo MP4
- Résolution vidéo 3840*2160P @30FPS
- Codec vidéo. H. 264
- Enregistrement en boucle avec des blocs de 3 minutes
sans discontinuité Mise en marche/arrêt automatique lors
de la mise en marche/arrêt de la voiture. Prise en charge
de l'allumage au démarrage de la voiture et de l'extinction
à l'arrêt de la voiture. voiture s'éteint.
- Horodatage pris en charge
- Résolution des photos : 8 MP
- Format photo JPEG
- Micro SD SDHC/XC (Classe 10 jusqu'à 256GB Max)
- Prise en charge du microphone et du haut-parleur intégré
- Super condensateur intégré
- PROCESSEUR NOVATEK 96670
- Fréquence 50HZ/60HZ
- Entrée d'alimentation Micro USB
- Fonction de verrouillage SOS supportée
Tension et courant de travail DC 5V/1A

Guide de dépannage

Dans des conditions de fonctionnement normales, s'il y a des problèmes avec l'appareil, veuillez vous référer aux méthodes suivantes pour les résoudre.

Problème : Impossible de prendre des photos ou d'enregistrer des vidéos ?

Solution : • Ce type de problème est presque TOUJOURS lié à la carte mémoire. Veuillez vérifier s'il y a suffisamment d'espace sur la micro SD. Comme mentionné précédemment, certaines séquences sont protégées en écriture et s'accumulent sur la carte SD au fil du temps.

- Formatez la carte SD pour vous assurer qu'elle n'est plus pleine de séquences protégées en écriture.
- Si l'appareil continue de s'arrêter automatiquement pendant l'enregistrement ou s'il enregistre des images 'Jumpy' avec des images perdues, cela peut être dû à la vitesse d'écriture des cartes SD.
- Vous devez utiliser une carte micro SD haute vitesse. Pour savoir si vous disposez de la carte haute vitesse requise, vérifiez si elle comporte le logo "Micro SDHC/XC" sur la carte SD. Les cartes sont souvent étiquetées comme capables de supporter les vidéos HD, mais ce n'est pas toujours vrai. L'enregistrement HD nécessite une carte de classe 10, la carte doit l'avoir imprimée quelque part.

Guide de dépannage

Problème : Le support adhésif ne reste pas attaché au pare-brise

Solution: • Assurez-vous que le pare-brise est propre et exempt de débris, utilisez un nettoyant pour vitres ou un tampon d'alcool pour nettoyer.

- Assurez-vous que le film plastique a été retiré du tampon adhésif.
- Lors du montage, maintenez fermement le support sur le pare-brise pendant au moins 60 secondes.

Problème : La Dash Cam ne s'allume pas

Solution: • Prise pour Accessoire du Véhicule - Vérifiez que la prise pour accessoire du véhicule est alimentée, branchez simplement un autre appareil et voyez s'il s'allume (ou utilisez une lampe test/multimètre pour vérifier l'alimentation).

- Câble d'alimentation Dash Cam - Vérifiez le fusible à l'extrémité de la fiche accessoire, il peut être nécessaire de le remplacer.
- Dash Cam - Connectez la Dash Cam à un ordinateur via le câble USB pour voir si elle s'allume.

Problème : La Dash Cam s'arrête lorsqu'elle est connectée au véhicule et la batterie ne se charge pas

Solution: • Cette Dash Cam n'a pas de batterie, elle a un Super Condensateur.

- La Dash Cam ne s'allume que lorsque le véhicule est démarré.

Guide de dépannage

Problème : La batterie de la Dash Cam ne dure que quelques minutes lorsque l'alimentation est coupée

Solution : • Cette Dash Cam n'a pas de batterie, elle a un Super Condensateur.

- Le super condensateur ne contient que suffisamment d'énergie pour éteindre la Dash Cam en toute sécurité, enregistrer en toute sécurité le dernier fichier lorsque l'alimentation est coupée et conserver les paramètres.
- La Dash Cam est conçue pour être connectée à l'alimentation à tout moment pendant son utilisation.

Problème : Le Wifi ne semble pas se connecter / la Dash Cam ne se connecte pas avec mon téléphone

Solution : • Assurez-vous que le WiFi est activé dans les paramètres de votre téléphone mobile et sélectionnez votre Dash Cam dans la liste des appareils.

- Assurez-vous d'avoir entré le mot de passe correct pour l'appareil (12345678).
- Si l'appareil ne se connecte toujours pas correctement, oubliez la Dash Cam du téléphone via les paramètres, réinitialisez la Dash Cam, redémarrez le téléphone mobile, puis réessayez.
- Vérifiez que votre téléphone dispose de la dernière mise à jour logicielle et vérifiez également que l'application a été mise à jour avec la dernière version.

Guide de dépannage

Problème : La Dash Cam chauffe lorsqu'elle fonctionne

Solution: • Il est normal que la Dash Cam soit chaude au toucher pendant une utilisation normale, en particulier lorsqu'elle enregistre une vidéo HD.

Problème : La Dash Cam s'arrête automatiquement pendant l'enregistrement

Solution: • Vérifiez s'il y a suffisamment d'espace sur la carte Micro SD.

- Assurez-vous que la bonne carte Micro SD est utilisée, 8-64 Go classe 10 ou supérieure Micro SDHC/XC est recommandé. D'autres types de cartes Micro SD peuvent ne pas convenir à une utilisation dans les Dash Cams.
- Si la bonne carte Micro SD est utilisée, formatez la carte Micro SD dans un ordinateur.
- Les cartes Micro SD ont une durée de vie limitée et deviennent corrompues après un certain temps. Cela est dû à la fonction d'enregistrement en boucle continue. Si cela s'est produit, vous devrez remplacer votre carte Micro SD.

Problème : La carte Micro SD n'est pas reconnue par la Dash Cam

Solution: • Formatez la carte Micro SD avant de l'utiliser. Assurez-vous que la carte Micro SD est compatible avec l'appareil, voir la panne "La Dash Cam s'arrête automatiquement pendant l'enregistrement" ci-dessus.

Guide de dépannage

Problème : Impossible d'enregistrer une vidéo ou de prendre des photos

Solution: • Vérifiez s'il y a suffisamment d'espace sur la carte Micro SD. Sinon, la carte Micro SD devra être formatée.

Problème : Les fichiers vidéo ne peuvent pas être lus sur le PC

Solution: • Les fichiers vidéo de la Dash Cam figurent en Format MOV et peut ne pas être compatible avec votre PC si aucun logiciel de lecture approprié n'est installé.

Problème : Mes vidéos sont floues, sales ou décolorées

Solution: • Vérifiez s'il y a des empreintes digitales ou de la saleté sur l'objectif de l'appareil photo. Si nécessaire, nettoyez avec un chiffon doux et sec avant l'enregistrement.

• Retirez le cache transparent de l'objectif lors de l'installation.

Problème : La Dash Cam est figée ou ne répond pas

Solution: • Réinitialisez l'unité en appuyant sur le bouton de réinitialisation et en le maintenant enfoncé pendant quelques secondes, puis réessayez.

• Formatez la carte Micro SD dans un ordinateur.

Guide de dépannage

Problème : Problèmes non résolus

Solution: • Réinitialisez l'unité en appuyant sur le bouton de réinitialisation et en le maintenant enfoncé pendant quelques secondes, puis réessayez.

- Formatez la carte Micro SD dans un ordinateur.
- Si le problème persiste, veuillez contacter le Service Technique de Gator

Informations de sécurité & mises en garde

N'utilisez pas la Dash Cam dans des conditions de travail humides ; la Dash Cam n'est pas étanche.

N'essayez pas d'ouvrir le boîtier ou de réparer vous-même la Dash Cam.

Si la Dash Cam ou ses accessoires ont des problèmes et sont toujours sous garantie, ramenez-les au lieu d'achat avec le reçu d'achat d'origine.

Si vous n'êtes plus sous garantie, contactez l'agent de réparation agréé, Assistance Gator.

N'utilisez pas de substance chimique, de solvant ou de nettoyant pour nettoyer la Dash Cam, veuillez utiliser un chiffon doux et humide si vous souhaitez nettoyer la Dash Cam. N'utilisez pas la Dash Cam dans des conditions où de la poussière est présente.

Veuillez faire attention au nettoyage de la surface de l'objectif, utilisez un chiffon doux et humide pour nettoyer l'objectif avant utilisation, afin d'éviter de mauvaises séquences vidéo.

Violation du droit d'auteur

Veillez noter que ce produit est destiné à un usage personnel uniquement, la méthode d'utilisation ne doit pas enfreindre les lois nationales ou internationales sur les droits d'auteur. Même les images enregistrées pour un usage personnel uniquement, veuillez noter que dans certains cas, l'utilisation de ce produit pour enregistrer des représentations, des expositions ou des activités commerciales des images peut enfreindre le droit d'auteur ou d'autres droits et intérêts légaux d'autrui.

Assistance technique



For Australasian support

TEL: 03 – 8587 8898 FAX: 03 – 8587 8866

Mon-Fri 9am – 5pm AEST

EMAIL - service@gator.com.au

For European support

support.connects2.com/tickets/technical

Si vous souhaitez télécharger une copie numérique de ce guide de démarrage rapide, ou d'autres manuels/logiciels Gator, veuillez visiter le site Web <http://gatordriverassist.com> et cliquer sur "Firmware & Manuals" ou aller directement à la page du produit.

Une application de visualisation de la vidéo est également disponible en téléchargement sur le site Web.

Ce guide de démarrage rapide est considéré comme correct au moment de l'impression, mais il est susceptible d'être modifié. Pour obtenir le dernier guide de démarrage rapide, les manuels et les mises à jour, consultez le site Web.

Copyright © 2021 par TDJ Australie

Tous droits réservés. Aucune partie de cette publication ne peut être reproduite, distribuée ou transmise sous quelque forme ou par quelque moyen que ce soit, y compris par photocopie, enregistrement, la copie ou toute autre méthode électronique ou mécanique, sans l'autorisation écrite préalable de l'auteur.



GATOR 

G4KDVR30

DEUTSCH SCHNELLSTARTANLEITUNG



Weitere Informationen über
die Gator-Reihe finden Sie
auf unserer Website

gatordriverassist.com 

INKLUSIVE:

Dash Cam, GPS/USB-Stromkabel, selbstklebende
Oberflächenhalterung, 12/24V Kfz-Ladegerät, 32GB Micro SD-Karte

Inhaltsverzeichnis

| | |
|--|----|
| Inhaltsverzeichnis..... | 2 |
| Informationen zum Produkt..... | 3 |
| Produktübersicht..... | 4 |
| Produktmerkmale..... | 4 |
| Inhalt des Systems | 5 |
| Optionales Zubehör..... | 6 |
| Produktstruktur..... | 7 |
| Befestigung der Dash Cam..... | 8 |
| Einbau der Dash-Cam..... | 8 |
| Herunterladen der Dash Cam WiFi App..... | 11 |
| Erstes Kopplungsverfahren für iOS-Geräte..... | 12 |
| Erstes Kopplungsverfahren für Android-Geräte.... | 13 |
| Nach der ersten erfolgreichen WIFI-Kopplung Ihres Geräts..... | 14 |
| Formatieren der SD-Karte..... | 14 |
| Herunterladen auf Ihr Handy..... | 15 |
| GPS logger..... | 16 |
| Handgestensteuerung (Foto / Video)..... | 16 |
| Produkt-Spezifikationen..... | 17 |
| Leitfaden zur Fehlerbehebung..... | 18 |
| Sicherheitshinweise und Warnungen..... | 23 |
| Verletzung der Copyright-Warnung..... | 24 |
| Technische Unterstützung..... | 24 |

Informationen zum Produkt

Weitere Informationen, Videos und Bedienungsanleitungen finden Sie auf unserer Website unter gatordriverassist.com/G4KDVR30 oder scannen Sie den folgenden QR-Code:



Vergewissern Sie sich, dass Sie vor der Installation und Verwendung des Geräts das Handbuch und die Anweisungen gelesen haben. Andernfalls kann es zu einem fehlerhaften Betrieb des Produkts oder zu einer Installation kommen, die das Gerät unbrauchbar macht.

Produktübersicht

Die Gator G4KDVR30 Ultra High Definition Dash Cam wurde entwickelt, um hochauflösende Aufnahmen von Ihren Fahrten zur Sicherheit und als Beweismittel im Falle eines Unfalls zu machen. Diese Dash Cam wird an der Windschutzscheibe befestigt und zeichnet das Material auf einer Speicherkarte auf. Sie verfügt über eine integrierte WiFi-Schnittstelle, über die sie drahtlos mit Ihrem Smartphone verbunden werden kann. Das Gerät wird über eine Benutzeroberfläche auf Ihrem Smartphone über die Gator Dash Cam App bedient. (heruntergeladen aus dem Apple App Store oder Google Play Store).

Produktmerkmale

- 4K UHD 3840*2160P @ 30FPS
- 140 Grad HD-Weitwinkelobjektiv
- WiFi aktiviert (2.4Ghz)
- WiFi Über kostenlose App zum Smartphone
- Foto-/Videofunktion Handgesten Foto-/Videofunktion Zeit- und
- Datumsstempel
- G-Sensor-Funktion
- Park-Modus (optionaler GHWCUSB2 erforderlich)
- GPS-Datenaufzeichnung
- Superkondensator
- Mehrsprachenunterstützung
- Nahtlose Zyklusschleifenaufzeichnung
- Micro USB-Schnittstelle/ 12V-USB-Ladegerät für da
- AutoKlebeautomatenhalterung
- Eingebaute MIC
- 32GB-Speicherkarte (Unterstützt Micro SD-Karten der Klasse 10 bis 256GB)

Inhalt des Systems



Gator Dash Cam & Klebehalterung



Dash Cam GPS
Stromkabel



Autoladegerät/ USB
Netzadapter



Speicherkarte

Optionales Zubehör

Bausatz für Festkabel. (GHWCUSB2) Wird für den Betrieb im Parkmodus und zur Freigabe der 12V-Steckdose des Fahrzeugs für andere Zwecke benötigt.

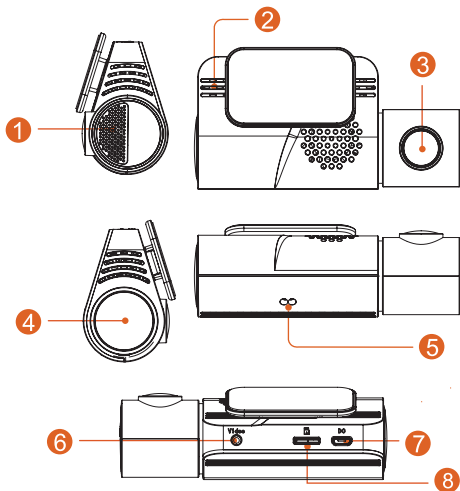


Rückseitige Kamera (G4K30RC)



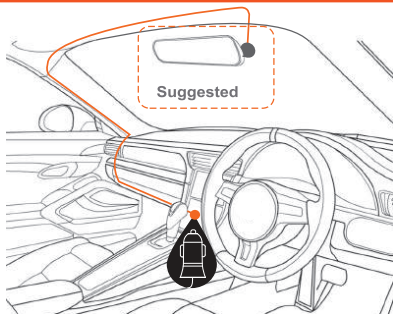
HINWEIS: Die Aufnahmeauflösung ändert sich auf 24 fps, wenn eine Rückfahrkamera hinzugefügt wird.

Produktstruktur



- | | |
|--|--|
| 1) Lautsprecher | 5) Sensor für Handgesten |
| 2) Mikrophon | 6) Optionales hinteres Armaturenbrett Cam-Eingang |
| 3) Kameraobjektiv | 7) Stromeingang |
| 4) LED schaltet ein/aus, pulsiert wenn sie mit dem Telefongekoppelt ist, leuchtet bei der Aufnahme | 8) MicroSD-Kartensteckplatz |

Befestigung der Dash-Cam



Einbau der Dash-Cam

1. Platzieren Sie den Montagebügel auf die Dash Cam, indem Sie auf den Befestigungspunkt gleiten. Richten Sie das Gerät so aus, dass sich beim Anbringen an der Windschutzscheibe die USB-Buchse auf der rechten Seite (von der Innenseite des Fahrzeugs aus gesehen) und die Linse auf der linken Seite befindet. Der Handgesten-Sensor ist nach unten gerichtet.
2. Befestigen Sie die Vorrichtung an einem sauberen Teil der Windschutzscheibe in Richtung Mitte, wo die Sicht nicht behindert wird. (Stellen Sie sicher, dass es SEHR sauber ist, um eine einwandfreie Haftung zu gewährleisten). Ein Platz in der Nähe des Rückspiegels ist in den meisten Fällen ideal. Installieren Sie das Gerät nicht in der Nähe eines Airbags. (Airbags werden oft entlang der linken und rechten Außenseite der Windschutzscheibe installiert).

3. Legen Sie die mitgelieferte Micro-SD-Karte in die Dash Cam ein.
4. Stecken Sie das Micro-USB-Ende des GPS-Stromkabels in die Micro-USB-Buchse der Dash Cam. Entfernen Sie die Schutzfolie vom 3M-Band des GPS-Kabels und befestigen Sie es am Fenster. Stecken Sie den USB-Stecker in voller Größe in die USB-Buchse des Netzadapters, stecken Sie den Netzadapter in eine freie 12V-Steckdose im Fahrzeug. Das Stromkabel ist lang genug, um entlang der Kopfverkleidung, die A-Säule hinunter, unter und über das Armaturenbrett bis zum Übertragungstunnel zu verlaufen, wo es sich in Reichweite der 12V-Zubehörsteckdose des Fahrzeugs befinden sollte, wie in der Abbildung oben dargestellt.
5. Drehen Sie die Kamerarichtung so, dass die Kamera nach vorne und leicht nach unten aus der Horizontalen zeigt. Später können Sie die App genau so ausrichten, dass 1/4 der Motorhaube des Fahrzeugs am unteren Rand des Kamerabildes sichtbar ist.
6. Schalten Sie die Zündung des Fahrzeugs auf Zubehör, die Dash Cam sollte sich automatisch einschalten, Sie werden einen hörbaren Ton hören, sobald sie eingeschaltet ist. (Einige 12V-Steckdosen erfordern eine Zündung an).
7. Eine rote LED beginnt zu blinken, und die Aufzeichnung beginnt. Das Gerät zeichnet das Material in kleinen Blöcken auf. Wenn die Karte voll ist, ersetzt das Gerät die ältesten Aufzeichnungen durch die neuesten Aufnahmen, während diese aufgezeichnet werden.

Die verfügbare Historie ist abhängig von der Größe der SD-Kartenkapazität.

8. Die Dash Cam startet die Aufnahme automatisch, wenn sie vom Netzteil mit Strom versorgt wird. Sobald der Strom abgeschaltet wird (wenn Sie das Auto ausschalten), verwendet die Dash Cam ihren eingebauten Superkondensator, um die aktuelle Datei zu speichern und schaltet sich dann selbst aus.

Herunterladen der Dash Cam WiFi App

Suchen Sie auf Ihrem iOS- oder Android-Smartphone nach der "**Gator Dash Cam App**". Scannen Sie den QR-Code unten, um die passende Smartphone-APP für Ihr Gerät zu finden.

Gator Dash Cam App store download

<https://apps.apple.com/au/app/gator-dash-cam/id1541941092>



Gator Dash Cam Google Play herunterladen

<https://play.google.com/store/apps/details?id=au.com.tdj.gator.dashcams>



Erstes Kopplungsverfahren für iOS-Geräte

1. Laden Sie die App aus dem App Store herunter.
2. Schalten Sie die mobilen Daten in den Einstellungen aus.
3. Schalten Sie die Standortdienste in den Einstellungen ein.
4. Öffnen Sie die App
5. Wählen Sie "Zu den WiFi-Einstellungen gehen" und dann "Verbinden".
6. Wählen Sie die Dashcam G4KDVR30-XXX
7. Öffnen Sie die App erneut
8. Drücken Sie auf "Kopieren" den aktuellen Netzwerknamen auf dem Startbildschirm der App
9. Geben Sie das WiFi-Passwort 12345678 ein.
10. Benennen Sie das Gerät, z. B. Dash Cam oder das Fahrzeug, in dem es installiert ist
11. Wählen Sie "Gerät speichern".
12. Die Dashcam wird unter den gekoppelten Geräten angezeigt
13. Es kann eine Benachrichtigung erscheinen, dass "Gator Dash Cam" dem WiFi-Netzwerk "G4KDVR30-XXX" beitreten möchte - wählen Sie "Beitreten".
14. Möglicherweise erscheint eine weitere Benachrichtigung: "Gator Dash Cam" möchte Geräte in Ihrem lokalen Netzwerk finden und sich mit ihnen verbinden - Wählen Sie "OK".
15. Sie können Ihre Dashcam nun über die Gator Dash Cam App anzeigen und ihre Einstellungen anpassen.

Erstes Kopplungsverfahren für Android-Geräte

1. Laden Sie die App aus dem Google Play Store herunter.
2. Schalten Sie die mobilen Daten in den Einstellungen aus.
3. Schalten Sie die Standortdienste in den Einstellungen ein.
4. Öffnen Sie die App
5. Wählen Sie "Zu den WiFi-Einstellungen gehen" und dann "Verbinden".
6. Wählen Sie die Dashcam G4KDVR30-XXX
7. Öffnen Sie die App erneut
8. Drücken Sie auf "Kopieren" den aktuellen Netzwerknamen auf dem Startbildschirm der App
9. Geben Sie das WiFi-Passwort 12345678 ein.
10. Benennen Sie das Gerät, z. B. Dash Cam oder das Fahrzeug, in dem es installiert ist
11. Wählen Sie "Gerät speichern".
12. Die Dashcam wird unter den gekoppelten Geräten angezeigt
13. Es kann eine Benachrichtigung erscheinen, dass "Gator Dash Cam" dem WiFi-Netzwerk "G4KDVR30-XXX" beitreten möchte - wählen Sie "Beitreten".
14. Möglicherweise erscheint eine weitere Benachrichtigung: "Gator Dash Cam" möchte Geräte in Ihrem lokalen Netzwerk finden und sich mit ihnen verbinden - Wählen Sie "OK".
15. Sie können Ihre Dashcam nun über die Gator Dash Cam App anzeigen und ihre Einstellungen anpassen.

Nach der ersten erfolgreichen WIFI-Kopplung Ihres Geräts

Nach der ersten Kopplung Ihres Geräts mit dem WiFi-Netzwerk der Dash Cam sollten die mobilen Daten bei der Verwendung der App ausgeschaltet bleiben, da sie in einigen Fällen bei einigen iOS-Geräten nicht funktioniert. Die App zeigt möglicherweise eine Pop-up-Meldung an, um die mobilen Daten beim Verbinden mit der Dash Cam zu deaktivieren.

Formatieren der SD-Karte

Sie sollten dies mindestens alle 2 bis 3 Monate tun.

Sie können Ihre SD-Karte mit der Gator Dash Cam App formatieren. Sie werden vor dem Formatieren zur Bestätigung aufgefordert. Es wird empfohlen, dies zu tun, um die Karte in einem guten Zustand zu halten und um sicherzustellen, dass Sie alle gesperrten Aufnahmen löschen, die in der Vergangenheit gespeichert wurden und die Sie nicht mehr benötigen und die Speicherplatz belegen. Hinweis: Sichern Sie die Dateien, die Sie behalten möchten, bevor Sie die Karte formatieren, denn beim Formatieren werden ALLE Dateien auf der SD-Karte.

BITTE BEACHTEN SIE: SD-Karten haben eine begrenzte Lebensdauer. Ihre Lebensdauer hängt davon ab, wie oft die Karte beschrieben wird. Die SD-Karte wird sich mit der Zeit abnutzen.

Dash Cams beanspruchen die SD-Karte sehr stark, da sie ständig auf den Speicher schreiben. Einige Karten haben eine längere Lebensdauer als andere. Die Karten mit der längsten Lebensdauer sind oft als "ENDURANCE" oder "HEAVY DUTY" gekennzeichnet.

Herunterladen auf Ihr Handy

Mit der Gator Dash Cam App können Sie Videos auf Ihr Smartphone herunterladen. Wenn Sie viele Videos haben, kann es ein wenig dauern, bis die Bilder auf Ihren Bildschirm geladen werden. Er kann anfangs leer erscheinen. Je mehr Videos Sie auswählen, desto länger dauert das Herunterladen der Videos. Bitte bedenken Sie, dass es sich bei dem Material um Ultra High Definition handelt und es recht groß ist. (Stellen Sie sicher, dass Sie genügend Speicherplatz auf Ihrem Handy haben).

GPS logger

Die GPS-Geolokalisierungsdaten werden automatisch in den Videodateien der Dash Cam gespeichert. Diese können mit der Gator Dash Cam App oder der Computer-GPS-Player-Software, die von der gatordriverassist.com Website heruntergeladen werden kann, angesehen werden.

ACHTUNG: Um eine mögliche Störung des GPS-Signals zu vermeiden, stellen Sie sicher, dass die Dash Cam nicht in der Nähe anderer Audiogeräte im Auto steht.

Handgestensteuerung (Foto / Video)

Bewegen Sie Ihre Hand unter der Dashcam (am Sensor für Handgesten vorbei), um ein Bild aufzunehmen und eine Videodatei zu speichern. Diese Funktion funktioniert, während die Dashcam eingeschaltet ist und im kontinuierlichen Aufnahmemodus arbeitet. Die Gestenfotografie-Einstellung muss über die App eingeschaltet werden, um diese Funktion zu aktivieren.

Produkt-Spezifikationen

- 4K-Kamera, 4K-Aufnahme
- Sony IMX415 CMOS-Sensor
- G-Sensor Drei-Achsen-Beschleunigungsmesser
- WiFi 2.4GHz 802.11 b/g/n
- Objektiv 140 Grad Weitwinkel mit festem Fokus, F = 2.0
- Unterstützte Sprachen Englisch, Französisch, Deutsch, Italienisch und Spanisch
- Videoformat MP4
- Videoauflösung 3840*2160P @30FPS
- Video-Codec. H. 264
- Loop-Aufnahme mit nahtlosen 3-Minuten-Blöcken
- Automatisches Ein- und Ausschalten beim Ein- und Ausschalten des Autos Unterstützt das Einschalten beim Starten des Autos und das Ausschalten Auto ausschaltet.
- Datumsstempel wird unterstützt
- Standbilder Fotoauflösung: 8 MP
- Fotoformat JPEG
- Micro SD SDHC/XC (Klasse 10 bis zu max. 256 GB)
- MIC/eingebauter Lautsprecher unterstützt
- Eingebauter Super-Kondensator
- PROZESSOR NOVATEK 96670
- Frequenz 50HZ/60HZ
- Micro-USB-Netzeingang
- SOS-Sperrfunktion unterstützt
- Arbeitsspannung und Stromstärke DC 5V/1A

Leitfaden zur Fehlerbehebung

Wenn unter normalen Betriebsbedingungen Probleme mit dem Gerät auftreten, wenden Sie sich bitte an die folgenden Methoden, um diese zu lösen.

Problem: Sie können keine Bilder oder Videos aufnehmen?

Lösung: • Diese Art von Problemen ist fast IMMER ein Problem, das mit der Speicherkarte zusammenhängt. Bitte prüfen Sie, ob auf der Mikro-SD genügend Platz vorhanden ist. Wie bereits erwähnt, ist einiges Filmmaterial schreibgeschützt und sammelt sich im Laufe der Zeit auf der SD-Karte an.

- Formatieren Sie die SD-Karte, um sicherzustellen, dass die Karte nicht mehr mit schreibgeschütztem Material gefüllt ist.
- Wenn das Gerät während der Aufnahme immer wieder automatisch stoppt oder wenn es sprunghaftes Material mit heruntergefallenen Bildern aufnimmt, kann dies an der Schreibgeschwindigkeit der SD-Karten liegen.
- Sie müssen eine Hochgeschwindigkeits-Mikro-SD-Karte verwenden. Um festzustellen, ob Sie die erforderliche Hochgeschwindigkeitskarte besitzen, prüfen Sie, ob sie das 'Micro SDHC/XC'-Logo auf der SD-Karte hat. Karten werden oft als HD-Video-fähig bezeichnet, aber das ist nicht immer wahr. Für die HD-Aufnahme ist eine Karte der Klasse 10 erforderlich, diese sollte irgendwo auf der Karte aufgedruckt sein.

Leitfaden zur Fehlerbehebung

Problem: Die Klebefestigung bleibt nicht an der Windschutzscheibe

Lösung: • Stellen Sie sicher, dass die Windschutzscheibe sauber und frei von Verschmutzungen ist, verwenden Sie Glasreiniger oder einen Alkohol-Tausch zum Reinigen.

Problem: Die Dash-Cam lässt sich nicht einschalten

Lösung: • Überprüfen Sie, ob die Steckdose Strom hat, indem Sie ein anderes Gerät an dieselbe Steckdose anschließen, um zu sehen, ob es sich einschaltet
• Wenn die Steckdose Strom hat, dann überprüfen Sie die Sicherung in der Spitze des Netzteils.

Problem: Die Dashcam schaltet sich ab, wenn sie mit dem Fahrzeug verbunden ist, und der Akku wird nicht aufgeladen

Lösung: • Die Strichnocken haben keine Batterie, sondern einen Superkondensator.
• Die Strichnocke schaltet sich nur ein, wenn sie Strom aus der Steckdose erhält.

Leitfaden zur Fehlerbehebung

Problem: Die Batterie der Dash Cam hält nur wenige Sekunden, wenn die Stromversorgung unterbrochen wird

Lösung: • Diese Dash Cam hat keine Batterie, sondern einen Superkondensator.

- Der Superkondensator verfügt nur über genügend Strom, um die Dash Cam sicher abzuschalten, die letzte Datei bei Stromabschaltung sicher zu speichern und die Einstellungen beizubehalten.
- Die Dash-Cam ist so konzipiert, dass sie während der Benutzung jederzeit an die Stromversorgung angeschlossen werden kann.

Problem: Das Wifi scheint sich nicht zu verbinden / die Dash Cam verbindet sich nicht mit meiner Telefonlösung

- Lösung:** • Stellen Sie sicher, dass WiFi in den Einstellungen Ihres Mobiltelefons eingeschaltet ist, und wählen Sie Ihre Dash-Cam aus der Geräteliste aus.
- Vergewissern Sie sich, dass Sie das richtige Passwort für das Gerät eingegeben haben (12345678).
 - Wenn das Gerät immer noch nicht richtig angeschlossen ist, vergessen Sie die Dash Cam vom Telefon durch die Einstellungen, setzen Sie die Dash Cam zurück, starten Sie das Mobiltelefon neu und versuchen Sie es dann erneut.
 - Überprüfen Sie, ob Ihr Telefon über die neueste Software-Aktualisierung verfügt und ob die App mit der neuesten Version aktualisiert wurde.

Leitfaden zur Fehlerbehebung

Problem: Die Dash Cam fühlt sich warm an, wenn sie in Betrieb ist

Lösung: • Es ist normal, dass sich die Dash-Cam bei typischer Verwendung warm anfühlt, insbesondere bei der Aufnahme von HD-Videos.

Problem: Die Dash Cam stoppt automatisch während der Aufnahme

Lösung: • Prüfen Sie, ob auf der Micro SD-Karte genügend Platz vorhanden ist.

• Stellen Sie sicher, dass die richtige Micro-SD-Karte verwendet wird, 8-256Gb Klasse 10 oder höher Micro SDHC/XC wird empfohlen. Andere Typen von Micro SD-Karten sind möglicherweise nicht für die Verwendung in Dash Cams geeignet.

• Wenn die richtige Micro-SD-Karte verwendet wird, formatieren Sie die Micro-SD-Karte in einem Computer.

• Micro-SD-Karten haben eine begrenzte Lebensdauer und werden mit der Zeit korrupt. Dies ist auf die Dauerschleifen-Aufnahmefunktion zurückzuführen. Wenn dies geschehen ist, müssen Sie Ihre Micro SD-Karte ersetzen.

Problem: Die Micro SD-Karte wird von der Dash Cam nicht erkannt

Lösung: • Formatieren Sie die Micro SD-Karte vor der Verwendung. Stellen Sie sicher, dass die Micro SD-Karte mit dem Gerät kompatibel ist, siehe Fehler "Die Dash Cam stoppt automatisch während der Aufnahme" oben.

Leitfaden zur Fehlerbehebung

Problem: Kann kein Video oder keine Bilder aufnehmen

Lösung: • Prüfen Sie, ob auf der Micro SD-Karte genügend Platz vorhanden ist. Wenn nicht, muss die Micro SD-Karte formatiert werden.

Problem: Meine Videos sind verschwommen, schmutzig oder verfärbt

Lösung: • Prüfen Sie, ob sich auf dem Kameraobjektiv Fingerabdrücke oder Schmutz befinden. Reinigen Sie sie bei Bedarf vor der Aufnahme mit einem weichen, trockenen Tuch.

• Entfernen Sie den transparenten Linsendeckel während der Installation.

Problem: Die Dash Cam ist eingefroren oder reagiert nicht auf die

Lösung: • Setzen Sie das Gerät zurück, indem Sie den Rückstellknopf einige Sekunden lang gedrückt halten und es erneut versuchen.

• Formatieren Sie die Micro SD-Karte in einem Computer.

Problem: Ungeklärte Fragen

Lösung: • Setzen Sie das Gerät zurück, indem Sie den Rückstellknopf einige Sekunden lang gedrückt halten und es erneut versuchen.

• Formatieren Sie die Micro SD-Karte in einem Computer.

• Sollte das Problem weiterhin bestehen, wenden Sie sich bitte an Ihren Gator-Service-Agenten für Ihr Land.

Sicherheitshinweise und Warnungen

Verwenden Sie die Dash Cam nicht unter feuchten Arbeitsbedingungen; die Dash Cam ist nicht wasserdicht. Versuchen Sie nicht, das Gehäuse zu öffnen oder die Dash Cam selbst zu reparieren.

Wenn die Dash Cam oder ihr Zubehör Probleme hat und noch unter Garantie steht, dann bringen Sie sie mit dem Original-Kaufbeleg an den Ort des Kaufs zurück.

Wenn die Garantiezeit abgelaufen ist, wenden Sie sich an den autorisierten Reparaturdienst, den Gator-Support.

Verwenden Sie zur Reinigung der Dash Cam keine chemischen Substanzen, keine Reinigungsmittel oder Reiniger, sondern verwenden Sie ein feuchtes, weiches Tuch, wenn Sie die Dash Cam reinigen möchten.

Verwenden Sie die Dash Cam nicht unter Bedingungen, bei denen Staub vorhanden ist.

Bitte achten Sie auf die Reinigung der Linsenoberfläche, verwenden Sie ein feuchtes, weiches Tuch zur Reinigung der Linse vor dem Gebrauch, um schlechte Videoaufnahmen zu vermeiden.

Verletzung der Copyright-Warnung

Bitte beachten Sie, dass dieses Produkt nur für den persönlichen Gebrauch bestimmt ist, die Art der Nutzung darf nicht gegen nationale oder internationale Urheberrechtsgesetze verstoßen. Auch aufgezeichnete Bilder, die nur für den persönlichen Gebrauch bestimmt sind, beachten Sie bitte, dass die Verwendung dieses Produkts zur Aufzeichnung von Aufführungen, Ausstellungen oder geschäftlichen Aktivitäten der Bilder in einigen Fällen das Urheberrecht oder andere gesetzliche Rechte und Interessen anderer verletzen kann.

Technische Unterstützung



For Australasian support

TEL: 03 – 8587 8898 FAX: 03 – 8587 8866

Mon-Fri 9am – 5pm AEST

EMAIL - service@gator.com.au

For European support

support.connects2.com/tickets/technical

Wenn Sie eine digitale Kopie dieser Schnellstartanleitung oder anderer Gator-Handbücher/Software herunterladen möchten, besuchen Sie bitte die Website <http://gatordriverassist.com> und klicken Sie auf "Firmware & Handbücher" oder gehen Sie direkt zur Produktseite.

Auf der Website steht auch eine App zur Videoanzeige zum Download bereit.

Diese Schnellstartanleitung gilt zum Zeitpunkt der Drucklegung als korrekt, kann jedoch geändert werden. Die neuesten Kurzanleitungen, Handbücher und Aktualisierungen finden Sie auf der Website.

Urheberrecht © 2021 von TDJ Australien
Alle Rechte vorbehalten. Kein Teil dieser Veröffentlichung darf in irgendeiner Form oder mit irgendwelchen Mitteln vervielfältigt, verteilt oder übertragen werden, einschließlich Fotokopieren, Aufzeichnen, Kopieren oder andere elektronische oder mechanische Methoden, ohne die vorherige schriftliche Genehmigung des Autors.

Bitte bewahren Sie dieses Benutzerhandbuch zum späteren Nachschlagen auf.



GATOR 

G4KDVR30

GUIDA RAPIDA IN ITALIANO



Per ulteriori informazioni
sulla gamma Gator vai al
nostro sito web

gatordriverassist.com 

INCLUSIONI:

Dash Cam, cavo di alimentazione GPS/USB, supporto adesivo di superficie, caricabatterie per auto 12/24V, scheda Micro SD da 32GB

Indice

| | |
|---|----|
| Indice..... | 2 |
| Informazioni sul prodotto..... | 3 |
| Descrizione del prodotto..... | 4 |
| Caratteristiche del prodotto..... | 4 |
| Contenuti del sistema..... | 5 |
| Accessori opzionali..... | 6 |
| Struttura del prodotto..... | 7 |
| Posizionare la Dash Cam..... | 8 |
| Installazione della Dash Cam..... | 8 |
| Scaricare l'app Dash Cam WiFi..... | 11 |
| Procedura di primo accoppiamento per dispositivi iOS..... | 12 |
| Procedura di primo accoppiamento per dispositivi Android..... | 13 |
| Dopo il primo accoppiamento WIFI riuscito del vostro dispositivo..... | 14 |
| Formattare la scheda SD..... | 14 |
| Scaricare sul tuo telefono..... | 15 |
| Registratore GPS (GPS logger)..... | 16 |
| Controllo dei gesti della mano (Foto / Video)..... | 16 |
| Specifiche del prodotto..... | 17 |
| Guida alla risoluzione dei problemi..... | 18 |
| Informazioni sulla sicurezza e segnalazioni..... | 23 |
| Avvertimento sulla violazione del Copyright..... | 24 |
| Assistenza tecnica..... | 24 |

Informazioni sul prodotto

Per ulteriori informazioni, video e guide utente, visita il nostro sito web, gatordriverassist.com/G4KDVR30 o scansiona il seguente codice QR:



Assicuratevi di aver letto il manuale e le istruzioni del prodotto prima dell'installazione e dell'uso. In caso contrario, il prodotto potrebbe non funzionare correttamente o l'installazione potrebbe rendere il dispositivo inutilizzabile.

Descrizione del prodotto

La Gator G4KDVR30 Ultra High Definition Dash Cam è stata progettata per fornire registrazioni ad alta definizione dei tuoi viaggi su strada per la sicurezza e le prove in caso di incidente. Questo Dash Cam si monta sul parabrezza e registra i filmati su una scheda di memoria. Ha un'interfaccia WiFi integrata che la collega senza fili al tuo smartphone. Questo dispositivo funziona attraverso un'interfaccia utente sul tuo smartphone tramite la Gator Dash Cam App. (scaricata da Apple App Store o Google Play Store).

Caratteristiche del prodotto

- 4K UHD 3840*2160P @ 30FPS
 - Obiettivo grandangolare 140 gradi HD
 - Abilitato per il WiFi (2.4Ghz)
 - WiFi Via free App sullo Smartphone
 - Funzione hand gesture foto e video
 - Indicazione di data e ora
 - Funzione G-Sensor
 - Modalità parcheggio (richiesto optional GHWCUSB2)
 - Registrazione dati GPS
 - Super condensatore
 - Supporto multi-lingua
 - Ininterrotta registrazione ciclica (in loop)
 - Interfaccia Micro USB / 12V in-car alimentatore USB
 - Adesivo di supporto per automobile
 - Microfono integrato
 - 32GB Memory card
- (Supporta scheda di memoria Micro SD class10 fino a 256GB)

Contenuti del sistema



Gator Dash Cam e supporto adesivo



Cavo di alimentazione
Dash Cam GPS



Autoladegerät/ USB
Netzadapter



Auto di memoria

Accessori opzionali

Hardwire Kit. (GHWCUSB2) Necessario per la Modalità Parcheggio e per liberare la presa di alimentazione 12V dei veicoli per altri usi.

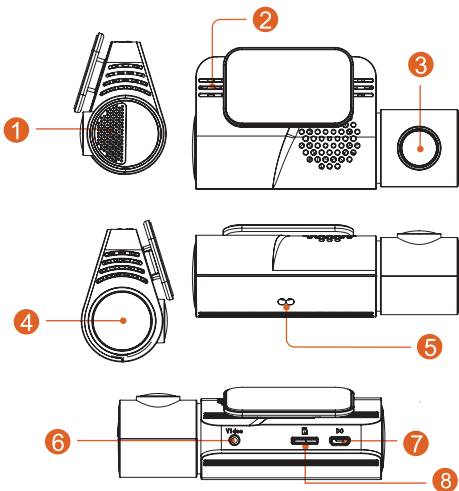


Fotocamera posteriore (G4K30RC)



NOTA: la risoluzione registrata cambierà a 24 fps quando viene aggiunta la videocamera posteriore

Struttura del prodotto



1) altoparlante

2) Microfono

3) lente della macchina fotografica

4) LED acceso/spento, impulsi

quando è accoppiato con il telefono, 8) Slot per scheda MicroSD
fisso quando si registra

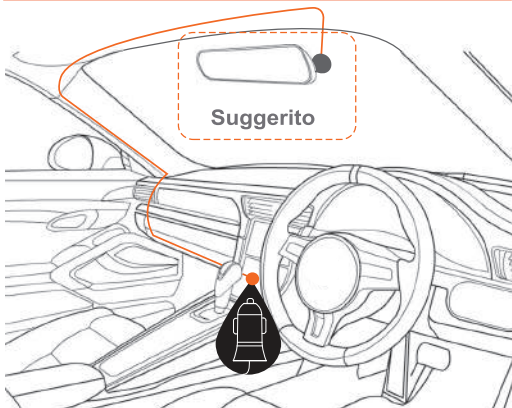
5) Sensore dei gesti della mano

6) Cruscotto posteriore opzionale

Ingresso Cam

7) Ingresso alimentazione

Posizionare la Dash Cam



Installazione della Dash Cam

1. Posiziona il supporto di montaggio della Dash Cam facendolo scorrere sul punto di fissaggio. Orienta il dispositivo in modo che, quando è attaccato al parabrezza, la presa USB si trovi sulla parte destra (punto di vista interno all'auto) e la lente della camera sulla sinistra. Il sensore Hand Gesture è rivolto verso il basso.
2. Fissa il dispositivo su una parte pulita del parabrezza, verso il centro, in modo che la visione non sia ostruita.

(Assicurati che il punto del parabrezza sia molto pulito di modo che l'adesivo funzioni correttamente). Nella maggior parte dei casi, è ideale posizionarlo vicino allo specchietto retrovisore. Non installare il dispositivo vicino all'airbag (Gli airbag sono spesso installati lungo i lati destro e sinistro del parabrezza).

3. Inserisci la scheda di memoria Micro SD all'interno della Dash Cam.

4. Inserire l'estremità Micro USB del cavo di alimentazione del GPS nella presa Micro USB della Dash Cam.

Rimuovere il nastro adesivo 3M del cavo GPS e fissarlo alla finestra. Collegare la spina USB full-size nella presa USB dell'adattatore di alimentazione, inserire l'adattatore di alimentazione in una presa di corrente a 12 V libera nel veicolo. Il cavo di alimentazione è abbastanza lungo da scorrere lungo il rivestimento della testa, lungo il montante A, sotto e attraverso il cruscotto fino al tunnel di trasmissione, dove dovrebbe essere nel raggio d'azione della presa di corrente a 12 V degli accessori del veicolo, come mostrato nello schema sopra.

5. Ruota la direzione della Camera in modo che sia rivolta in avanti e leggermente verso il basso rispetto alla linea dell'orizzonte. Più tardi, usando l'App, potrai allinearla esattamente per far sì che $\frac{1}{4}$ del cofano del veicolo sia visibile alla base dell'immagine registrata dalla Camera.

6. Accendi il veicolo (per gli accessori), la Dash Cam dovrebbe accendersi automaticamente, sentirai un suono

riconoscibile una volta accesa (Alcune prese elettriche 12V richiedono l'accensione).

7. Una luce rossa inizierà a lampeggiare e la registrazione avrà inizio. L'unità registra il filmato in piccoli blocchi. Quando la scheda di memoria è piena, l'unità rimpiazza le vecchie registrazioni con i nuovi filmati, nell'ordine in cui vengono registrati. La quantità e la lunghezza cronologica dipende dalla capacità della scheda di memoria SD.
8. La Dash Cam inizia a registrare automaticamente quando riceve elettricità dall'alimentatore. Una volta che l'elettricità viene meno (quando si spegne il veicolo), la Dash Cam utilizza il suo super condensatore per salvare il file corrente e si spegne da sola.

Scaricare l'app Dash Cam WiFi

Sul tuo smartphone iOS o Android, cerca la "Gator Dash Cam App". Scannerizza il codice QR qui sotto per trovare l'APP per smartphone adatta al tuo dispositivo.



Gator Dash Cam App store download

<https://apps.apple.com/au/app/gator-dash-cam/id1541941092>

Gator Dash Cam Google Play download

<https://play.google.com/store/apps/details?id=au.com.tdj.gator.dashcams>

Procedura di primo accoppiamento per dispositivi iOS

1. Scarica l'applicazione dall'App Store
2. Disattivare i dati mobili nelle impostazioni
3. Attiva i servizi di localizzazione nelle impostazioni
4. Aprire l'app
5. Seleziona vai alle impostazioni WiFi e poi connettiti
6. Seleziona la dash cam G4KDVR30-XXX
7. Aprire di nuovo l'App
8. Premere "Copia" il nome della rete corrente sulla schermata iniziale dell'App
9. Inserire la password WiFi 12345678
10. Nominare il dispositivo, cioè Dash Cam o il veicolo in cui è installato
11. Selezionare "Salva dispositivo".
12. La dash cam apparirà sotto i dispositivi accoppiati
13. Potrebbe apparire una notifica, "Gator Dash Cam" vuole unirsi alla rete WiFi "G4KDVR30-XXX"?
14. Un'altra notifica potrebbe apparire, "Gator Dash Cam" vorrebbe trovare e connettersi ai dispositivi sulla rete locale - Selezionare "OK"
15. Ora puoi visualizzare la tua dash cam e regolarne le impostazioni tramite l'App Gator Dash Cam.

Procedura di primo accoppiamento per dispositivi Android

1. Scaricare l'applicazione da Google Play Store
2. Disattivare i dati mobili nelle impostazioni
3. Attiva i servizi di localizzazione nelle impostazioni
4. Aprire l'app
5. Seleziona vai alle impostazioni WiFi e poi connettiti
6. Seleziona la dash cam G4KDVR30-XXX
7. Aprire di nuovo l'App
8. Premere "Copia" il nome della rete corrente sulla schermata iniziale dell'App
9. Inserire la password WiFi 12345678
10. Nominare il dispositivo, cioè Dash Cam o il veicolo in cui è installato
11. Selezionare "Salva dispositivo".
12. La dash cam apparirà sotto i dispositivi accoppiati
13. Potrebbe apparire una notifica, "Gator Dash Cam" vuole unirsi alla rete WiFi "G4KDVR30-XXX"?
14. Un'altra notifica potrebbe apparire, "Gator Dash Cam" vorrebbe trovare e connettersi ai dispositivi sulla rete locale - Selezionare "OK"
15. Ora puoi visualizzare la tua dash cam e regolarne le impostazioni tramite l'App Gator Dash Cam.

Dopo il primo accoppiamento WIFI riuscito del vostro dispositivo

Dopo l'accoppiamento iniziale del vostro dispositivo alla rete WiFi della Dash Cam, i dati mobili dovrebbero essere lasciati disattivati quando si usa l'applicazione, poiché in alcuni casi non funziona per alcuni dispositivi iOS.

L'app potrebbe mostrare un messaggio pop-up per disattivare i dati mobili quando ci si connette alla Dash Cam.

Formattare la scheda SD

Dovresti farlo almeno ogni 2 o 3 mesi

Puoi formattare la tua scheda SD usando l'App Gator Dash Cam. Ti chiederà di confermare prima della formattazione. Si raccomanda di farlo per mantenere la scheda in buone condizioni e per assicurarsi di eliminare qualsiasi filmato bloccato che potrebbe essere stato salvato in passato e che non è più necessario e sta occupando spazio. Nota: Eseguire il backup dei file che si desidera conservare prima della formattazione, in quanto la formattazione cancellerà TUTTI i file sulla scheda SD.

NOTA BENE: le schede SD hanno una vita limitata. La loro vita si basa sulla quantità di volte in cui la scheda viene scritta. La scheda SD si consumerà eventualmente con il tempo.

Le Dash Cam sono utenti molto pesanti della scheda SD perché scrivono costantemente sulla memoria. Alcune schede hanno una vita più lunga di altre. Le schede di vita più lunga sono spesso etichettate come "ENDURANCE" o "HEAVY DUTY".

Scaricare sul tuo telefono

Usando l'applicazione Gator Dash Cam App puoi scaricare i video sul tuo smartphone. Se hai molti video, potrebbe volerci un po' di tempo prima che carichi le immagini sul tuo schermo, potrebbe sembrare vuoto all'inizio, sii paziente, le immagini video dovrebbero apparire in un minuto. Bisogna avere pazienza mentre si scaricano i video, più video si selezionano, più tempo ci vorrà per il download. Tieni presente che questi filmati sono in Ultra Alta Definizione e sono piuttosto grandi. (Assicurati che ci sia spazio sufficiente sul tuo telefono).

Registratore GPS

I dati di geolocalizzazione GPS vengono automaticamente salvati nei file video della Dash Cam. Questi possono essere visualizzati utilizzando l'App Gator Dash Cam o il software del lettore GPS per computer che può essere scaricato dal sito web gatordriverassist.com.

ATTENZIONE: Per evitare qualsiasi possibile interferenza del segnale GPS, assicuratevi che la Dash Cam sia lontana da qualsiasi altra apparecchiatura car audio.

Controllo dei gesti della mano (Foto / Video)

Agita la mano sotto la dash cam (oltre il sensore del gesto della mano) per scattare un'immagine e salvare un file video. Questa funzione funziona quando la dash cam è accesa e funziona in modalità di registrazione continua. L'impostazione Gesture Photographing deve essere attivata tramite l'app per abilitare questa funzione.

Specifiche del prodotto

- ❑ Fotocamera 4K, registrazione 4K
- ❑ Sensore CMOS Sony IMX415
- ❑ Accelerometro a tre assi G-sensor
- ❑ WiFi 2.4GHz 802.11 b/g/n
- ❑ Obiettivo 140 gradi grandangolare a fuoco fisso, F = 2.0
- ❑ Lingue supportate Inglese, francese, tedesco, italiano e spagnolo
- ❑ Formato video MP4
- ❑ Risoluzione video 3840*2160P @30FPS
- ❑ Video codec. H. 264
- ❑ Registrazione in loop con blocchi di 3 minuti senza soluzione di continuità
- ❑ Auto accendere / spegnere mentre auto potere on / off
Supporta accendere mentre l'auto si avvia e spegnere mentre l'auto si spegne.
- ❑ Timbro della data supportato
- ❑ Risoluzione della foto delle immagini fisse: 8 MP
- ❑ Formato foto JPEG
- ❑ Micro SD SDHC/XC (Classe 10 fino a 256GB Max)
- ❑ MIC/altoparlante incorporato supportato
- ❑ Super condensatore incorporato
- ❑ CPU NOVATEK 96670
- ❑ Frequenza 50HZ/60HZ
- ❑ Ingresso alimentazione Micro USB
- ❑ Funzione di blocco SOS supportata
- ❑ Tensione di lavoro e corrente DC 5V/1A

Guida alla risoluzione dei problemi

In condizioni operative normali, se si riscontrano dei problemi con il dispositivo, per favore si faccia riferimento ai seguenti metodi per una possibile risoluzione.

Problema: Non riesci a scattare foto o a registrare video?

Soluzione: • Questo tipo di problema è quasi SEMPRE legato alla Memory Card. Per favore controlla se c'è abbastanza spazio sulla micro SD. Come menzionato precedentemente, alcuni filmati sono protetti e nel corso del tempo si accumulano sulla SD.

- Formatta la scheda di memoria SD per assicurarti che non sia più piena di filmati protetti.
- Se il dispositivo continua a stopparsi automaticamente mentre registra o registra con fotogrammi saltati potrebbe essere dovuto alla velocità di scrittura della scheda di memoria SD.
- Devi usare un'alta velocità della scheda di memoria Micro SD. Per sapere se hai la corretta alta velocità, controlla se ha il logo 'Micro SDHC/XC' sulla scheda di memoria SD. A volte le schede di memoria SD sono vendute con capacità video HD ma questo risulta non essere sempre vero. La registrazione HD richiede una Scheda di memoria con class 10, dovresti trovarlo stampato sul fronte/retro della scheda di memoria.

Guida alla risoluzione dei problemi

Problema: L'adesivo non rimane attaccato al parabrezza

Soluzione: • Assicurati che il parabrezza sia pulito e libero da residui, per pulire usa un detergente per vetri o un tampone imbevuto di alcol.

- Assicurarsi che la pellicola di plastica sia stata rimossa dal tampone adesivo.
- Durante il montaggio, tenere saldamente la staffa al parabrezza per almeno 60 secondi.

Problema: La Dash Cam non si accende

Soluzione: • Controlla che la presa abbia elettricità inserendo un altro dispositivo nella stessa presa per vedere se si accende.

- Se la presa ha corrente, allora controlla il fusibile nella punta dell'adattatore di alimentazione.
- Dash Cam - Collegare il Dash Cam ad un computer tramite il cavo USB per vedere se si accende.

Problema: La Dash Cam si spegne quando è connessa al veicolo e la batteria non ricarica

Soluzione: • La Dash Cam non ha batteria ma un super condensatore.

- La Dash Cam si accenderà solo quando riceverà elettricità dalla presa.

Guida alla risoluzione dei problemi

Problema: La batteria della Dash Cam dura solo alcuni secondi quando si toglie l'elettricità

Soluzione: • La Dash Cam non ha batteria ma ha un Super Condensatore.

• Il Super Condensatore trattiene solo l'elettricità di cui ha bisogno per spegnere in modo sicuro la Dash Cam; quando non riceve più elettricità, salva l'ultimo file e mantiene la configurazione.

• La Dash Cam è ideata per essere connessa all'elettricità per tutto il tempo del suo utilizzo.

Problema: Il Wifi non sembra connettersi/ la Dash Cam non si connette con il mio telefono

Soluzione: • Assicurati che il WiFi sia acceso sulle impostazioni del tuo cellulare e seleziona la Dash Cam dalla lista dei dispositivi.

• Assicurati di aver inserito la password corretta per il dispositivo (**12345678**).

• Se il dispositivo non si connette dopo queste prove, elimina la Dash Cam dal telefono attraverso le impostazioni, resetta la Dash Cam, riavvia il cellulare e prova di nuovo.

• Controlla che sul tuo cellulare sia installata l'ultima versione aggiornata del software e controlla che l'App sia stata aggiornata con l'ultima versione.

Guida alla risoluzione dei problemi

Problem: La Dash Cam si surriscalda durante il suo utilizzo

Solution: • È normale sentire la Dash Cam calda al tatto durante l'utilizzo, specialmente se sta registrando video HD.

Problem: La Dash Cam si ferma automaticamente mentre registra.

Solution: • Controlla se c'è abbastanza spazio sulla scheda di memoria Micro SD.

- Assicurati che venga utilizzata una corretta scheda di memoria Micro SD 8-256Gb Class 10 o più alta. Si raccomanda Micro SDHC/XC. Altri tipi di Micro SD potrebbero non essere idonei ad essere utilizzati per la Dash Cam.

- Se viene utilizzata una corretta scheda di memoria Micro SD, formatta la Micro SD al computer.

- Le schede di memoria Micro SD hanno vita limitata dopo un certo periodo di tempo. Questo è dovuto alla funzione di registrazione continua. Se è questo il caso, dovrai sostituire la tua scheda di memoria Micro SD.

Problem: La scheda di memoria Micro SD non è riconosciuta dalla Dash Cam

Solution: • Formatta la scheda di memoria Micro SD prima dell'uso. Assicurati che la scheda di memoria Micro SD sia compatibile con il dispositivo, vedi la soluzione al problema di cui sopra "La Dash Cam si ferma automaticamente mentre registra"

Guida alla risoluzione dei problemi

Problem: Non riesce a registrare video e a scattare foto

Solution: • Controlla se c'è abbastanza spazio sulla scheda di memoria Micro SD. Se non c'è, avrai bisogno di formattare la scheda di memoria.

Problem: I file video non riescono ad essere riprodotti sul computer

Solution: • I file video della Dash Cam sono in formato .MOV , controlla di avere installato un software adatto alla riproduzione di questi file sul tuo computer.

Problem: I miei video sono sfocati, sporchi o scoloriti

Solution: • Controlla che non ci siano impronte digitali o detriti sporchi sulla lente della camera. Se ce n'è bisogno, prima di registrare, pulisci la lente con un panno morbido e asciutto.

• Ricordati di rimuovere la pellicola di protezione trasparente durante l'installazione.

Problem: La Dash Cam si blocca o non risponde

Solution: • Resetta l'unità tenendo premuto il pulsante Reset per alcuni secondi e riprova.

• Formatta la scheda di memoria Micro SD al computer.

Problem: Problemi non risolti

Solution: • Resetta l'unità tenendo premuto il pulsante Reset per alcuni secondi e riprova.

• Formatta la scheda di memoria Micro SD al computer.

• Se il problema persiste, si prega di contattare il vostro agente di servizio Gator per il vostro paese.

Informazioni sulla sicurezza e segnalazioni

Non usare la Dash Cam in ambienti umidi; la Dash Cam non è resistente all'acqua.

Non cercare di aprire la copertura o provare a riparare la Dash Cam da solo.

Se la Dash Cam o i suoi accessori presentano problemi e la Dash Cam è ancora sotto garanzia, riportala al negozio con l'originale dello scontrino.

Se è fuori garanzia, contatta un riparatore autorizzato Gator. Non usare sostanze chimiche, prodotti per la pulizia o detersivi per pulire la Dash Cam, usa un panno morbido e umido.

Non usare la Dash Cam in ambienti non puliti.

Per favore fai attenzione mentre pulisci la superficie della lente, usa un panno morbido e umido prima dell'uso, così eviterai filmati poco nitidi.

Avvertimento sulla violazione del Copyright

Si prega di notare che questo prodotto è solo per uso personale; il metodo di utilizzo non deve violare le leggi nazionali ed internazionali sul copyright dei prodotti commerciali. Anche le immagini registrate sono solo per uso personale, si precisa che in alcuni casi l'uso di questo prodotto per registrare performance, spettacoli o altre attività commerciali potrebbe violare il copyright o altri diritti legali e interessi di terzi.

Assistenza tecnica



For Australasian support

TEL: 03 – 8587 8898 FAX: 03 – 8587 8866

Mon-Fri 9am – 5pm AEST

EMAIL - service@gator.com.au

For European support

support.connects2.com/tickets/technical

Se si desidera scaricare una copia digitale di questa guida rapida, o altri manuali/software Gator, si prega di visitare il sito web <http://gatordriverassist.com> e cliccare su "Firmware & Manuals" o in alternativa andare direttamente alla pagina del prodotto.

Dal sito web è disponibile anche un'App per la visualizzazione del video da scaricare.

Questa guida rapida è considerata corretta al momento della stampa, ma è soggetta a modifiche. Per l'ultima guida rapida, i manuali e gli aggiornamenti fare riferimento al sito web.

Copyright © 2021 di TDJ Australia

Tutti i diritti riservati. Nessuna parte di questa pubblicazione può essere riprodotta, distribuita o trasmessa in qualsiasi forma o con qualsiasi mezzo, comprese fotocopie, registrazioni copia o altri metodi elettronici o meccanici, senza la previa autorizzazione scritta dell'autore.

Si prega di conservare questa guida utente per riferimento futuro.



GATOR 

G4KDVR30

GUÍA DE INICIO RÁPIDO EN ESPAÑOL



Para más información sobre
la gama Gator, visite nuestro
sitio web

gatordriverassist.com 

INCLUSIONES:

Dash Cam, cable de alimentación GPS/USB, soporte adhesivo de superficie, Cargador de 12/24V en el coche, tarjeta Micro SD de 32GB

Índice

| | |
|--|----|
| Índice..... | 2 |
| Información sobre el producto..... | 3 |
| Resumen del producto..... | 4 |
| Características del producto..... | 4 |
| Contenido del sistema..... | 5 |
| Accesorios opcionales..... | 6 |
| Estructura del producto..... | 7 |
| Fijación de la Dash Cam..... | 8 |
| Instalación de la Dash Cam..... | 8 |
| Descarga de la aplicación Dash Cam WiFi..... | 11 |
| Procedimiento de emparejamiento por primera vez para dispositivos iOS..... | 12 |
| Procedimiento de emparejamiento por primera vez para dispositivos Android..... | 13 |
| Tras el primer emparejamiento WIFI exitoso de su dispositivo..... | 14 |
| Formatear la tarjeta SD..... | 14 |
| Descargar al teléfono..... | 15 |
| Registrador GPS..... | 16 |
| Control de gestos con la mano (foto/vídeo)..... | 16 |
| Especificaciones del producto..... | 17 |
| Guía de resolución de problemas..... | 18 |
| Información de seguridad y advertencias..... | 23 |
| Aviso sobre la infracción del copyright..... | 24 |
| Asistencia técnica..... | 24 |

Información sobre el producto

Para obtener más información, vídeos y guías de usuario, visite nuestro sitio web, gatordriverassist.com/G4KDVR30 o escanee el siguiente código QR:



Asegúrese de haber leído el manual y las instrucciones del producto antes de su instalación y uso. Si no lo hace, el producto puede funcionar de forma incorrecta o la instalación puede hacer que el dispositivo quede inutilizado.

Resumen del producto

La Dash Cam Gator G4KDVR30 de ultra alta definición ha sido diseñada para proporcionar grabaciones de alta definición de sus viajes por carretera para la seguridad y las pruebas en caso de accidente. Esta Dash Cam se monta en el parabrisas y graba las imágenes en una tarjeta de memoria. Dispone de una interfaz WiFi integrada que la conecta de forma inalámbrica con tu smartphone. Este dispositivo funciona a través de una interfaz de usuario en su teléfono inteligente a través de la aplicación Gator Dash Cam. (descargada en la App Store de Apple o en Google Play Store).

Características del producto

- 4K UHD 3840*2160P @ 30FPS
- Lente gran angular HD de 140 grados
- WiFi habilitado (2.4Ghz)
- WiFi a través de una aplicación gratuita para el Smartphone
- Función de foto/vídeo con gestos de la mano
- Sello de fecha y hora
- Función de sensor G
- Modo de aparcamiento (requiere GHWCUSB2 opcional)
- Cámara trasera (requiere G4K30RC opcional)
- Grabación de datos GPS
- Supercondensador
- Soporte de varios idiomas
- Grabación en ciclo continuo
- Interfaz micro USB/cargador USB de 12 V para el coche
- Soporte adhesivo para coche
- Tarjeta de memoria de 32 GB (compatible con tarjetas SDHC de hasta 256 GB)

Contenido del sistema



Gator Dash Cam y soporte adhesivo



Cable de alimentación
para Dash Cam GPS



Cargador de coche/ USB
Adaptador de corriente



Tarjeta de memoria

Accesorios opcionales (se venden por separado)

Kit de cableado. (GHWCUSB2) Necesario para el funcionamiento en modo aparcamiento y para liberar la toma de 12V del vehículo para otros usos.

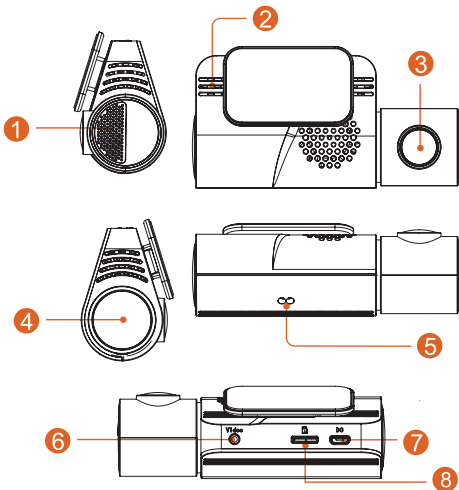


Cámara trasera (G4K30RC)



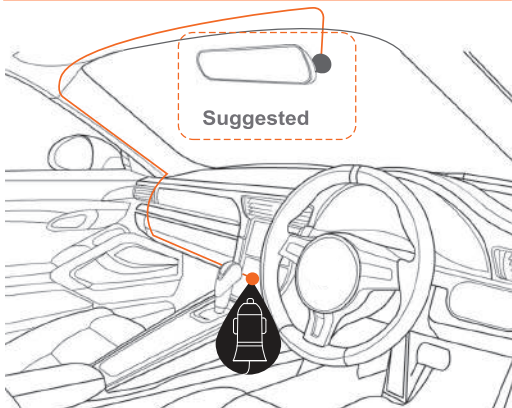
NOTA: La resolución de grabación cambiará a 24 fps cuando se añada la cámara trasera

Estructura del producto



- | | |
|---|--------------------------------|
| 1) Altavoz | 5) Sensor de gestos de la mano |
| 2) Micrófono | 6) Opción de tablero trasero |
| 3) Lente de la cámara | Entrada de cámara |
| 4) El LED se enciende/apaga, pulsa cuando está emparejado con el teléfono, sólido cuando se está grabando | 7) Entrada de alimentación |
| | 8) Ranura para tarjeta MicroSD |

Fijación de la Dash Cam



Instalación de la Dash Cam

1. Coloque el soporte en la Dash Cam deslizándolo en el punto de fijación. Oriente el dispositivo de manera que cuando lo fije al parabrisas, la toma USB quede en el lado derecho (mirando desde el interior del coche) y el objetivo en el izquierdo. El sensor de gestos de la mano apunta hacia abajo.
2. Fije el dispositivo en una parte limpia del parabrisas, por el centro, donde no obstaculice la visión (asegúrese de que el cristal esté MUY limpio para garantizar una buena

- adherencia). En la mayoría de los casos, un lugar cercano al espejo retrovisor es el ideal. No instale el dispositivo cerca de un airbag (los airbags suelen situarse a lo largo de los lados exterior izquierdo y derecho del parabrisas).
3. Inserte la tarjeta Micro SD incluida en la Dash Cam.
 4. Inserte el extremo Micro USB del cable de alimentación del GPS en el enchufe Micro USB de la cámara del tablero. Retira la cinta de respaldo del cable GPS de 3M y fíjalo en la ventana. Conecte el enchufe USB de tamaño completo en la toma USB del adaptador de corriente, inserte el adaptador de corriente en una toma de corriente de 12V libre en el vehículo. El cable de alimentación es lo suficientemente largo como para ir a lo largo del revestimiento de la cabeza, por el pilar A, debajo y a través del tablero de instrumentos hasta el túnel de transmisión, donde debe estar al alcance del enchufe de alimentación de 12V del accesorio del vehículo, como se muestra en el diagrama anterior.
 5. Rote la dirección a la que apunta la cámara para que esté orientada hacia adelante y ligeramente hacia debajo de la línea de horizonte. Luego, usando la aplicación, podrá alinearla con exactitud para que sea visible $\frac{1}{4}$ del capó del vehículo en la parte inferior de la imagen suministrada por la cámara.
 6. Gire la llave de encendido del vehículo colocándola en la posición de accesorios. La Dash Cam debería encenderse automáticamente. Escuchará un sonido cuando se conecte (algunas tomas de 12V solo funcionan con el motor en marcha).
 7. Un LED rojo comenzará entonces a parpadear y empezará la grabación. La unidad graba vídeo en bloques pequeños. Cuando la tarjeta está llena, la unidad

reemplazará las grabaciones más antiguas con el nuevo vídeo conforme se va grabando. El historial disponible dependerá por tanto del tamaño de la tarjeta SD.

8. La Dash Cam comenzará a grabar automáticamente cuando reciba energía del adaptador de corriente.

Una vez que se desconecte la alimentación (cuando se apaga el coche), la cámara utilizará su supercondensador integrado para guardar el archivo actual y luego se apagará automáticamente.

Descarga de la aplicación Dash Cam WiFi

En su smartphone iOS o Android, busque la aplicación **"Gator Dash Cam App"**. Escanee el código QR que aparece a continuación para obtener la APP para smartphones adecuada para su dispositivo.



Gator Dash Cam Descarga de la tienda de aplicaciones

<https://apps.apple.com/au/app/gator-dash-cam/id1541941092>

Gator Dash Cam Google Play descargar

<https://play.google.com/store/apps/details?id=au.com.tdj.gator.dashcams>

Procedimiento de emparejamiento por primera vez para dispositivos iOS

1. Descargue la aplicación desde la App Store
2. Desactivar los datos móviles en los ajustes
3. Activa los servicios de localización en los ajustes
4. Abrir la App
5. Selecciona ir a los ajustes de WiFi y luego conectar
6. Seleccione la dash cam G4KDVR30-XXX
7. Abra la aplicación de nuevo
8. Pulse "Copiar" el nombre de la red actual en la pantalla de inicio de la App
9. Introduzca la contraseña WiFi 12345678
10. Nombrar el dispositivo, es decir, Dash Cam o el vehículo en el que está instalado
11. Seleccione "Guardar dispositivo"
12. La dash cam aparecerá bajo los dispositivos emparejados
13. Una notificación puede aparecer, "Gator Dash Cam" quiere unirse a la red WiFi "G4KDVR30-XXX" - Seleccione "Join"
14. 14. Otra notificación puede aparecer, "Gator Dash Cam" quiere encontrar y conectarse a los dispositivos en su red local - Seleccione "OK"
15. 15. Ahora puede ver su dash cam y ajustar su configuración a través de la aplicación Gator Dash Cam.

Procedimiento de emparejamiento por primera vez para dispositivos Android

1. Descargue la aplicación desde la tienda de Google Play
2. Desactivar los datos móviles en los ajustes
3. Activa los servicios de localización en los ajustes
4. Abrir la App
5. Selecciona ir a los ajustes de WiFi y luego conectar
6. Seleccione la dash cam G4KDVR30-XXX
7. Abra la aplicación de nuevo
8. Pulse "Copiar" el nombre de la red actual en la pantalla de inicio de la App
9. Introduzca la contraseña WiFi 12345678
10. Nombrar el dispositivo, es decir, Dash Cam o el vehículo en el que está instalado
11. Seleccione "Guardar dispositivo"
12. La dash cam aparecerá bajo los dispositivos emparejados
13. Una notificación puede aparecer, "Gator Dash Cam" quiere unirse a la red WiFi "G4KDVR30-XXX" - Seleccione "Join"
14. Otra notificación puede aparecer, "Gator Dash Cam" quiere encontrar y conectarse a los dispositivos en su red local - Seleccione "OK"
15. Ahora puede ver su dash cam y ajustar su configuración a través de la aplicación Gator Dash Cam.

Tras el primer emparejamiento WIFI exitoso de su dispositivo

Tras el emparejamiento inicial de su dispositivo con la red WiFi de la Dash Cam, los datos móviles deben dejarse desactivados al utilizar la aplicación, ya que en algunos casos no funciona en algunos dispositivos iOS.

La aplicación puede mostrar un mensaje emergente para desactivar los datos móviles al conectarse a la Dash Cam.

Formatear la tarjeta SD

Deberías hacer esto al menos cada 2 o 3 meses

Puede formatear su tarjeta SD utilizando la aplicación Gator Dash Cam. Le pedirá que confirme antes de formatear. Se recomienda hacer esto para mantener la tarjeta en buen estado de funcionamiento y para asegurarse de purgar cualquier grabación bloqueada que pueda haber sido guardada en el pasado y que ya no necesite y esté ocupando espacio. Nota: Haga una copia de seguridad de los archivos que desee conservar antes de formatear, ya que el formateo borrará TODOS los archivos de la tarjeta SD.

NOTA: Las tarjetas SD tienen una vida limitada. Su vida se basa en la cantidad de veces que se escribe en la tarjeta. La tarjeta SD se desgastará con el tiempo.

Las Dash Cams utilizan mucho la tarjeta SD porque están escribiendo constantemente en la memoria. Algunas tarjetas tienen una vida más larga que otras. Las tarjetas de mayor duración suelen estar etiquetadas como "ENDURANCE" o "HEAVY DUTY".

Descarga en el teléfono

Usando la aplicación Gator Dash Cam puedes descargar videos a tu smartphone. Si tiene muchos videos, puede tardar un poco en cargar las imágenes en su pantalla, puede parecer vacía al principio, sea paciente, las imágenes de video deberían aparecer en un minuto. Es necesario tener paciencia mientras se descargan los videos, cuantos más videos selecciones, más tiempo tardará en descargarse. Tenga en cuenta que estas imágenes son de ultra alta definición y son bastante grandes. (Asegúrate de que hay suficiente espacio en tu teléfono).

Registrador GPS

Los datos de geolocalización GPS se guardan automáticamente en los archivos de vídeo de la Dash Cam. Esto se puede ver utilizando la aplicación Gator Dash Cam o el software de reproducción GPS para ordenador que se puede descargar desde el sitio web gatordriverassist.com.

ATENCIÓN: Para evitar cualquier posible interferencia de la señal GPS, asegúrese de que la Dash Cam está alejada de cualquier otro equipo de audio del coche.

Control de gestos con la mano (foto/vídeo)

Mueve la mano por debajo de la dash cam (pasando por el sensor de gestos de la mano) para tomar una imagen y guardar un archivo de vídeo. Esta función funcionará mientras la dash cam esté encendida y funcionando en modo de grabación continua. El ajuste de fotografía gestual debe estar activado a través de la aplicación para habilitar esta función.

Especificaciones del producto

- Cámara 4K, grabación 4K
- Sensor CMOS Sony IMX415
- Acelerómetro de tres ejes con sensor G
- WiFi 2.4GHz 802.11 b/g/n
- Lente gran angular de 140 grados de enfoque fijo, F = 2.0
- Idiomas soportados Inglés, francés, alemán, italiano y español
- Formato de vídeo MP4
- Resolución de vídeo 3840*2160P @30FPS
- Códec de vídeo H. 264
- Grabación en bucle con bloques de 3 minutos sin interrupción Encendido/apagado automático mientras se enciende/apaga el coche
- Soporta el encendido mientras el coche se enciende y el apagado mientras coche se apaga.
- Soporta sello de fecha
- Resolución de las imágenes fijas: 8 MP
- Formato de foto JPEG
- Micro SD SDHC/XC (Clase 10 hasta 256 GB máximo)
- Soporta MIC/altavoz incorporado
- Supercondensador incorporado
- CPU NOVATEK 96670
- Frecuencia 50HZ/60HZ
- Entrada de alimentación Micro USB
- Soporta la función de bloqueo SOS
- Tensión y corriente de trabajo DC 5V/1A

Guía de resolución de problemas

Bajo condiciones operativas normales, si existen problemas con el dispositivo, por favor consulte los métodos siguientes para resolverlos.

Problema: No se pueden hacer fotos o grabar vídeo.

Solución: • Este tipo de problema casi SIEMPRE está relacionado con la tarjeta de memoria. Por favor compruebe que hay suficiente espacio en la micro SD. Como se ha mencionado anteriormente, algunas grabaciones pueden protegerse frente a escritura y se acumulan en la tarjeta SD con el tiempo.

- Formatee la tarjeta SD para asegurarse de que la tarjeta ya no está llena de grabaciones protegidas frente a escritura.
- Si es dispositivo no deja de detenerse automáticamente mientras graba o las grabaciones presentan saltos con pérdidas de cuadros, esto puede deberse a la velocidad de escritura de la tarjeta SD.
- Debe utilizar una tarjeta micro SD de alta velocidad. Para saber si tiene una tarjeta con la velocidad requerida, compruebe que aparece el logotipo de “Micro SDHC/XC” en la tarjeta SD. Las tarjetas a menudo se etiquetan como aptas para vídeo HD, pero eso no siempre es cierto. La grabación HD requiere de una tarjeta de clase 10, lo cual debe aparecer en la propia tarjeta en algún sitio.

Guía de resolución de problemas

Problema: El soporte adhesivo no queda fijado al parabrisas

Solución: • Asegúrese de que el parabrisas está limpio y sin residuos. Utilice un limpiacristales o alcohol para su limpieza.

- Asegúrese de que la película plástica se ha retirado de la almohadilla adhesiva.
- Al montarlo, sujete el soporte firmemente al parabrisas durante al menos 60 segundos.

Problema: La Dash Cam no se enciende.

Solución: • Compruebe que el conector recibe corriente enchufando otro dispositivo en el mismo para ver si se enciende.

- Si el conector tiene corriente, compruebe el fusible en la punta del adaptador de corriente.

Problema: la Dash Cam se apaga cuando se conecta al vehículo y la batería no carga

Solución: • La Dash Cam no tiene batería, sino un supercondensador.

- La Dash Cam solo se enciende cuando recibe corriente del conector.

Problema: La batería de la Dash Cam solo dura unos pocos segundos cuando se desconecta la alimentación

Solución: • Esta Dash Cam no tiene batería, sino un supercondensador.

Guía de resolución de problemas

- El supercondensador solo contiene suficiente energía como para apagar con seguridad la Dash Cam, guardar el último archivo al desconectar la corriente y almacenar los ajustes.
- La Dash Cam está diseñada para estar conectada a la fuente de alimentación en todo momento cuando se usa.

Problema: Parece que la red Wifi no se conecta / La Dash Cam no se conecta a mi teléfono

Solución: • Asegúrese de que la Wifi está activada en los ajustes del teléfono móvil y seleccione la Dash Cam en la lista de dispositivos

- Asegúrese de que ha introducido la contraseña correcta para el dispositivo (12345678).
- Si el dispositivo todavía no se conecta correctamente, olvide la Dash Cam del teléfono a través de los ajustes, reinicie la Dash Cam, reinicie el teléfono móvil e inténtelo de nuevo.
- Compruebe que su teléfono tiene instalada la última actualización y también que la App ha sido actualizada a la última versión.

Problema: La Dash Cam se calienta mientras está funcionando

Solución: • Es normal que la Dash Cam esté ligeramente caliente con un uso típico, especialmente cuando está grabando vídeo HD.

Guía de resolución de problemas

Problema: La Dash Cam se detiene automáticamente mientras graba

Solución: • Compruebe si hay espacio libre en la tarjeta micro SD

• Asegúrese de que se está utilizando la tarjeta micro SD correcta. Se recomienda una tarjeta micro SDHC/XC de clase 10 o superior con una capacidad de entre 8 y 256Gb. Otros tipos de tarjetas micro SD pueden no ser adecuadas para la Dash Cam.

• Si se está utilizando la tarjeta micro SD correcta, formatee la tarjeta micro SD en una computadora.

• Las tarjetas micro SD tienen una vida útil limitada y se corrompen tras un periodo de tiempo. Esto se debe a la función de grabación en bucle continuada. Si ha ocurrido esto, tendrá que reemplazar la tarjeta micro SD.

Problema: La Dash Cam no reconoce la tarjeta micro SD

Solución: • Formatee la tarjeta micro SD antes de su utilización. Asegúrese de que la tarjeta micro SD es compatible con el dispositivo, vea el problema anterior “La Dash Cam se detiene automáticamente mientras graba”.

Problema: No se puede grabar vídeo o hacer fotos

Solución: • Compruebe que exista suficiente espacio en la tarjeta micro SD. Si no es así, será necesario formatear la tarjeta micro SD.

Guía de resolución de problemas

Problema: Los archivos de vídeo no se pueden reproducir en el PC

Solución: • Los archivos de vídeo de la Dash Cam están en formato .MOV y puede que no sean compatibles con su PC si no tiene instalado el software de reproducción adecuado.

Problema: Mis vídeos se ven borrosos, sucios o descoloridos

Solución: • Compruebe si hay huellas digitales o suciedad en el objetivo de la cámara. Si es necesario, límpielo con un paño suave y seco antes de grabar.

• Elimine la tapa transparente del objetivo durante la instalación.

Problema: La Dash Cam está congelada o no responde

Solución: • Reinicie la unidad manteniendo pulsado el botón de reinicio durante unos segundos e inténtelo de nuevo.

• Formatee la tarjeta micro SD en una computadora.

Problema: Cuestiones no resueltas

Solución: • Reinicie la unidad manteniendo pulsado el botón de reinicio durante unos segundos e inténtelo de nuevo.

• Formatee la tarjeta micro SD en una computadora.

• Si el problema persiste, por favor contacte a su agente del servicio Gator de su país.

Información de seguridad y advertencias

No utilice la Dash Cam en entornos de trabajo húmedos, la Dash Cam no es resistente al agua.

No trate de abrir la carcasa o reparar usted mismo la Dash Cam.

Si la Dash Cam o sus accesorios presentan algún problema y la garantía está vigente, llévela al lugar donde la adquirió adjuntando el recibo de compra.

Si está fuera de garantía, contacte con un servicio técnico autorizado, Soporte Gator.

No utilice productos químicos, disolventes de limpieza o limpiadores para limpiar la Dash Cam. Por favor, utilice un paño suave ligeramente húmedo si quiere limpiarla.

No utilice la Dash Cam en entornos polvorientos.

Por favor, preste atención a la hora de limpiar la superficie del objetivo. Utilice un paño suave y húmedo para limpiar la lente antes de su uso para evitar una grabación de vídeo de baja calidad.

Aviso sobre la infracción del copyright

Por favor, tenga en cuenta que este producto está destinado exclusivamente al uso personal. La utilización del mismo no debe infringir las leyes de protección de derechos de autor nacionales e internacionales. Incluso si las imágenes grabadas son para un uso personal exclusivo, por favor tenga en cuenta que en algunos casos el utilizar este producto para grabar espectáculos, exhibiciones o realizar actividades empresariales con las imágenes puede infringir los derechos de copyright u otros derechos legales e intereses de terceros.

Asistencia técnica



For Australasian support

TEL: 03 – 8587 8898 FAX: 03 – 8587 8866

Mon-Fri 9am – 5pm AEST

EMAIL - service@gator.com.au

For European support

support.connects2.com/tickets/technical

Si desea descargar una copia digital de esta guía de inicio rápido, o de otros manuales/software de Gator, visite el sitio web <http://gatordriverassist.com> y haga clic en "Firmware & Manuals" o vaya directamente a la página del producto.

También se puede descargar una aplicación de visualización de vídeos desde el sitio web.

Esta guía de inicio rápido se considera correcta en el momento de la impresión, pero está sujeta a cambios. Para ver la última guía de inicio rápido, los manuales y las actualizaciones, consulte el sitio web.

Copyright © 2021 por TDJ Australia

Todos los derechos reservados. Ninguna parte de esta publicación puede ser reproducida, distribuida o transmitida en cualquier forma o por cualquier medio, incluyendo fotocopia, grabación copia u otros métodos electrónicos o mecánicos, sin la previa autorización por escrito del autor.

Conserve esta guía del usuario para futuras consultas.

