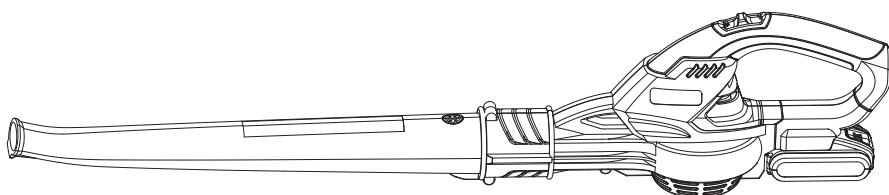


SCA 18V BLOWER VACUUM

Instruction Manual

CBV18LD

SCA
VALUE YOU CAN TRUST



After Sales Support

FREE CALL 1300 889 028
EMAIL: salesau@positecgroup.com

Important - Please read these instructions fully before operating or maintaining your blower

These instructions contain important information that will help you get the best from your blower, ensuring it remains safe to operate.

If you need help or have damaged or missing parts, call the Customer Helpline on 1300 889 028

Contents

Safety Information	3
In The Box	10
Accessories	10
Assembly	11
Before Putting Into Operation	12
Operating Instructions	13
Maintenance	14
Troubleshooting	14
Technical Data	15
Warranty	16

Safety Information

Important - Please read these instructions fully before starting assembly

Warning Symbols



Read the operator's manual



Warning



Wear eye protection



Do not use in the rain or leave outdoors while it is raining.



Warning of hazard



Keep bystanders away.



Do not burn



Batteries may enter water cycle if disposed improperly, which can be hazardous for ecosystem. Do not dispose of waste batteries as unsorted municipal waste.



Li-Ion Li-Ion

Li-Ion battery. This product has been marked with a symbol relating to 'separate collection' for all battery packs and battery pack. It will then be recycled or dismantled in order to reduce the impact on the environment. Battery packs can be hazardous for the environment and for human health since they contain hazardous substances.



For indoor use only



Read the operator's manual



Positive terminal



Negative terminal



Double insulation



Fuse



RCM marking


ABN: Australian Business Number. By this number, business information such as entity type, status, business location etc. can be found at website <http://abr.business.gov.au>. ABN of Positec Australia Pty Limited is 14 101 682 357

Safety Information

Important - Please read these instructions fully before starting assembly

General Power Tool Safety Warnings

GENERAL POWER TOOL SAFETY WARNINGS

 **WARNING!** Read all safety warnings and all instructions. *Failure to follow the warnings and instructions may result in electric shock, fire and/or serious injury.*

Save all warnings and instructions for future reference.

The term "power tool" in the warnings refers to your mains-operated (corded) power tool or battery-operated (cordless) power tool.

1) Work area safety

- a) **Keep work area clean and well lit.** *Cluttered or dark areas invite accidents.*
- b) **Do not operate power tools in explosive atmospheres, such as in the presence of flammable liquids, gases or dust.** *Power tools create sparks which may ignite the dust or fumes.*
- c) **Keep children and bystanders away while operating a power tool.** *Distractions can cause you to lose control.*

2) Electrical safety

- a) **Power tool plugs must match the outlet. Never modify the plug in any way. Do not use any adapter plugs with earthed (grounded) power tools.** *Unmodified plugs and matching outlets will reduce risk of electric shock.*
- b) **Avoid body contact with earthed or grounded surfaces, such as pipes, radiators, ranges and refrigerators.** *There is an increased risk of electric shock if your body is earthed or grounded.*
- c) **Do not expose power tools to rain or wet conditions.** *Water entering a power tool will increase the risk of electric shock.*
- d) **Do not abuse the cord. Never use the cord for carrying, pulling or unplugging the power tool. Keep cord away from heat, oil, sharp edges or moving parts.** *Damaged or entangled cords increase the risk of electric shock.*
- e) **When operating a power tool outdoors, use an extension cord suitable for outdoor use.** *Use of a cord suitable for outdoor use reduces the risk of electric shock.*
- f) **If operating a power tool in a damp location is unavoidable, use a residual current device (RCD) protected supply.** *Use of an RCD reduces the risk of electric shock.*

3) Personal safety

- a) **Stay alert, watch what you are doing and use common sense when operating a power tool. Do not use a power tool while you are tired or under the influence of drugs, alcohol or medication.** *A moment of inattention while operating power tools may result in serious personal injury.*
- b) **Use personal protective equipment. Always wear eye protection.** *Protective equipment such as dust mask, non-skid safety shoes, hard hat, or hearing protection used for appropriate conditions will reduce personal injuries.*
- c) **Prevent unintentional starting. Ensure the switch is in the off-position before connecting to power source and/or battery pack, picking up or carrying the tool.**

Safety Information

Important - Please read these instructions fully before starting assembly

General Power Tool Safety Warnings

Carrying power tools with your finger on the switch or energising power tools that have the switch on invites accidents.

- d) Remove any adjusting key or wrench before turning the power tool on.** *A wrench or a key left attached to a rotating part of the power tool may result in personal injury.*
- e) Do not overreach. Keep proper footing and balance at all times.** *This enables better control of the power tool in unexpected situations.*
- f) Dress properly. Do not wear loose clothing or jewellery. Keep your hair, clothing and gloves away from moving parts.** *Loose clothes, jewellery or long hair can be caught in moving parts.*
- g) If devices are provided for the connection of dust extraction and collection facilities, ensure these are connected and properly used.** *Use of these devices can reduce dust-related hazards.*

4) Power tool use and care

- a) Do not force the power tool. Use the correct power tool for your application.** *The correct power tool will do the job better and safer at the rate for which it was designed.*
- b) Do not use the power tool if the switch does not turn it on and off.** *Any power tool that cannot be controlled with the switch is dangerous and must be repaired.*
- c) Disconnect the plug from the power source and/or remove the battery pack, if detachable, from the power tool before making any adjustments, changing accessories, or storing power tools.** *Such preventive safety measures reduce the risk of starting the power tool accidentally.*
- d) Store idle power tools out of the reach of children and do not allow persons unfamiliar with the power tool or these instructions to operate the power tool.** *Power tools are dangerous in the hands of untrained users.*
- e) Maintain power tools and accessories. Check for misalignment or binding of moving parts, breakage of parts and any other condition that may affect the power tool's operation. If damaged, have the power tool repaired before use.** *Many accidents are caused by poorly maintained power tools.*
- f) Keep cutting tools sharp and clean.** *Properly maintained cutting tools with sharp cutting edges are less likely to bind and are easier to control.*
- g) Use the power tool, accessories and tool bits etc. in accordance with these instructions, taking into account the working conditions and the work to be performed.** *Use of the power tool for operations different from those intended could result in a hazardous situation.*

5) Battery tool use and care

- a) Recharge only with the charger specified by the manufacturer.** *A charger that is suitable for one type of battery pack may create a risk of fire when used with another battery pack.*
- b) Use power tools only with specifically designated battery packs.** *Use of any other battery packs may create a risk of injury and fire.*


Safety Information

Important - Please read these instructions fully before starting assembly

General Power Tool Safety Warnings

- c) When battery pack is not in use, keep it away from other metal objects, like paper clips, coins, keys, nails, screws or other small metal objects, that can make a connection from one terminal to another. *Shorting the battery terminals together may cause burns or a fire.*
 - d) Under abusive conditions, liquid may be ejected from the battery; avoid contact. If contact accidentally occurs, flush with water. If liquid contacts eyes, additionally seek medical help. *Liquid ejected from the battery may cause irritation or burns.*
- 6) Service
- a) Have your power tool serviced by a qualified repair person using only identical replacement parts. *This will ensure that the safety of the power tool is maintained.*

ADDITIONAL SAFETY WARNINGS FOR CORDLESS BLOWER

 **WARNING!** Read all safety warnings and all instructions. *Failure to follow the warnings and instructions may result in electric shock, fire and/or serious injury.*

Save all warnings and instructions for future reference.


- This appliance is not intended for use by persons (including children) with reduced physical, sensory or mental capabilities, or lack of experience and knowledge, unless they have been given supervision or instruction concerning use of the appliance by a person responsible for their safety.
- Children should be supervised to ensure that they do not play with the appliance.

Intended purpose

The device is designed only for the blowing of dry leaves in private households and as a hobby device in the garden. Any other utilization, which is not explicitly approved in these directions, can lead to damage to the device and represent a serious danger to the user.

- The device is designed for use by adults. Young people over 16 years may use the device under supervision only.
- The use of the device in the rain or in a humid environment is forbidden.
- The manufacturer is not liable for damage which is caused through inappropriate use or incorrect operation.

NOTE: Do not employ low power machines for heavy work. DO NOT use your device for purposes for which it has not been designed.

 **WARNING!** To reduce the risk of injury, user must read and understand instruction manual.

1) Training

- a) Read the instructions carefully. Be familiar with the controls and the proper use of

Safety Information

Important - Please read these instructions fully before starting assembly

General Power Tool Safety Warnings

- the appliance;
- b) Never allow children to use the appliance.
- c) Never allow people unfamiliar with these instructions to use the appliance. Local regulations may restrict the age of the operator;
- d) Never operate the appliance while people, especially children, or pets are nearby;
- e) The operator or user is responsible for accidents or hazards occurring to other people or their property.

2) Preparation

- a) While operating the appliance, always wear substantial footwear and long trousers. Do not operate the equipment when barefoot or wearing open sandals;
- b) Do not wear loose clothing or jewellery that can be drawn into the air inlet. Keep long hair away from the air inlets.
- c) Wear protective goggles while operating
- d) To prevent dust irritation the wearing of a face mask is recommended
- e) Never operate the appliance with defective guards or shields, or without safety devices.

3) Operation

- a) Take off the battery from the appliance,
 - when not in use;
 - before clearing a blockage;
 - before checking, cleaning or working on the appliance;
 - if the appliance starts to vibrate abnormally.
- b) Operate the appliance only in daylight or in good artificial light.
- c) Do not overreach and keep your balance at all times.
- d) Always be sure of your footing on slopes.
- e) Walk, never run;
- f) Keep all cooling air inlets clear of debris.
- g) Never blow debris in the direction of bystanders.
- h) Do not put hands or feet near or under rotating parts.

4) Maintenance and storage

- a) Keep all nuts, bolts and screws tight to be sure the appliance is in safe working condition;
- b) Replace worn or damaged parts.
- c) Use only genuine replacement parts and accessories.
- d) Store the appliance only in a dry place.

Safety Information

Important - Please read these instructions fully before starting assembly

General Power Tool Safety Warnings

SAFETY WARNINGS FOR BATTERY PACK


- a) Do not dismantle, open or shred cells or battery pack.
- b) Do not short-circuit a battery pack. Do not store battery packs haphazardly in a box or drawer where they may short-circuit each other or be short-circuited by conductive materials. *When battery pack is not in use, keep it away from other metal objects, like paper clips, coins, keys, nails, screws or other small metal objects, that can make a connection from one terminal to another. Shorting the battery terminals together may cause burns or a fire.*
- c) Do not expose battery pack to heat or fire. Avoid storage in direct sunlight.
- d) Do not subject battery pack to mechanical shock.
- e) In the event of battery leaking, do not allow the liquid to come into contact with the skin or eyes. If contact has been made, wash the affected area with copious amounts of water and seek medical advice.
- f) Keep battery pack clean and dry.
- g) Wipe the battery pack terminals with a clean dry cloth if they become dirty.
- h) Battery pack needs to be charged before use. Always refer to this instruction and use the correct charging procedure.
- i) Do not maintain battery pack on charge when not in use.
- j) After extended periods of storage, it may be necessary to charge and discharge the battery pack several times to obtain maximum performance.
- k) Recharge only with the charger specified by manufacturer. Do not use any charger other than that specifically provided for use with the equipment.
- l) Do not use any battery pack which is not designed for use with the equipment.
- m) Keep battery pack out of the reach of children.
- n) Retain the original product literature for future reference.
- o) Remove the battery from the equipment when not in use.
- p) Dispose of properly.
- q) Do not mix cells of different manufacture, capacity, size or type within a device.
- r) Keep the battery away from microwaves and high pressure.

Safety Information

Important - Please read these instructions fully before starting assembly

General Power Tool Safety Warnings

GENERAL SAFETY WARNINGS

 **WARNING! Read all safety warnings and all instructions.** *Failure to follow all instructions listed below may result in electric shock, fire and/or serious injury.*

Save all warnings and instructions for future reference.

- This appliance is not intended for use by persons (including children) with reduced physical, sensory or mental capabilities, or lack of experience and knowledge, unless they have been given supervision or instruction concerning use of the appliance by a person responsible for their safety.
- Children should be supervised to ensure that they do not play with the appliance. If the supply cord is damaged, it must be replaced by the manufacturer, its service agent or similarly qualified persons in order to avoid a hazard.

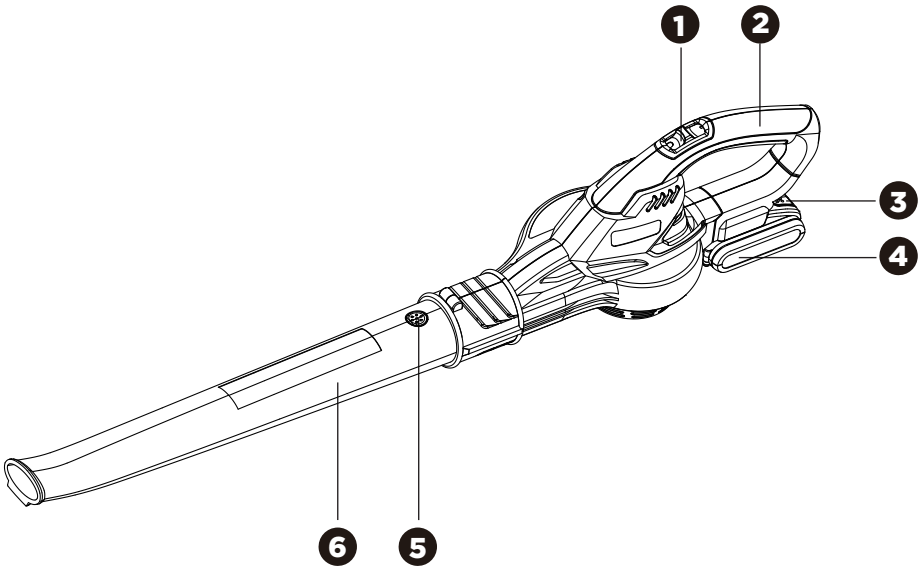
Additional safety instructions for your battery charger

1. Before charging, read the instructions.
2. For charge Li-ion battery pack only.
3. Do not charge a leaking battery.
4. Do not use chargers for works other than those for which they are designed.
5. Before charging, ensure your charger is matching the local AC supply.
6. The charging device must be protected from moisture.
7. Do not use the charging device outdoors.
8. Do not short out the contacts of battery or charger.
9. Respect the polarity "+/-" when charging.
10. Do not open the unit and keep it out of the reach of children.
11. Do not charge the batteries of other manufactures or ill-suited models.
12. Ensure that the connection between the battery charger and battery is correctly positioned and is not obstructed by foreign bodies.
13. Keep battery charger's slots free of foreign objects and protect against dirt and humidity. Store in a dry and frost-free place.
14. When charging batteries, ensure that the battery charger is in a well-ventilated area and away from inflammable materials. Batteries can get hot during charging. Do not overcharge any batteries. Ensure that batteries and chargers are not left unsupervised during charging.
15. Do not recharge non-rechargeable batteries, as they can overheat and break.
16. Longer life and better performance can be obtained if the battery pack is charged when the air temperature is between 18°C and 24°C. Do not charge the battery pack in air temperatures below 0°C, or above 40°C. This is important as it can prevent serious damage to the battery pack.
17. Charge only battery pack of the same model provided by manufacturer and of models recommended by manufacturer.

In The Box

Parts

- ① On/off switch
- ② Handle
- ③ Battery pack release button
- ④ Battery pack
- ⑤ Tube release button
- ⑥ Blower tube
- ⑦ Charger (See Fig. B)



Accessories


Blower tube	1
Battery pack (ABP1820HD)	1
Charger (ACG1804G)	1

Assembly

1. ASSEMBLING AND REMOVING THE BLOWER TUBE (SEE FIG. A1-A4)

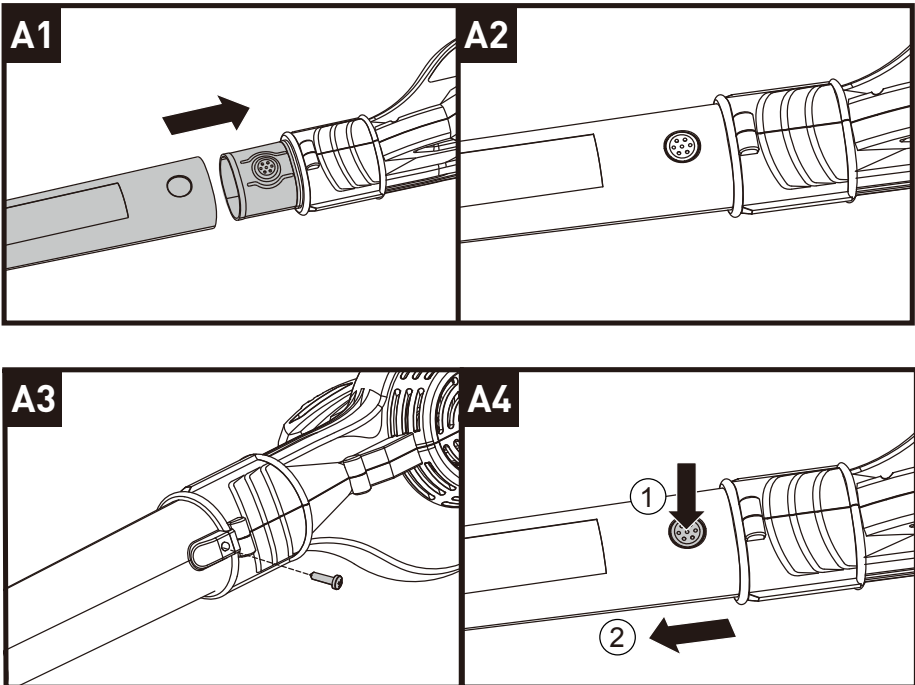
- Assembling

Before assembling the blower tube, be sure the on/off switch is in "0" off position. Fit the blower tube to the motor housing as shown in Fig. A1. Check the blower tube is firmly secured. Fix the blower tube to the blower port with the screw provided.

 **WARNING: Do not attempt to operate or disable the on/off switch by any means other than the normal assembly or removal of the tube.**

- Removing

Before disassembling the blower tube, be sure the on/off switch is in "0" Off position. First loosen the screw, as shown in Fig. A3. Press the tube release button, so that you can separate the tube (See Fig. A4). Do not try to separate the tubes by force or by using tools.



Before Putting Into Operation

1. CHARGING THE BATTERY PACK CHARGER (SEE FIG. B)

NOTE:



- Do not use any charger other than that specifically provided for use with the equipment.
- If the battery pack is very hot you must remove your battery pack from the charger and allow time for the battery to cool down before recharging.
- The battery in your new tool is not charged when it leaves the plant. Therefore it must be full charged before using the first time.
- Please charge the battery to reach full or no less than half charge before storage. If the tool will not be used for long periods of time, charge the battery every 3-6 months.

CHARGING PROCEDURE

- Plug the charger into an appropriate outlet. The light will be green.
- Slide the battery pack into the charger, the light will turn to red to indicate the charging process has started.
- When charging is completed, the light will turn to green. The pack is now fully charged, unplug the charger and remove the battery pack.

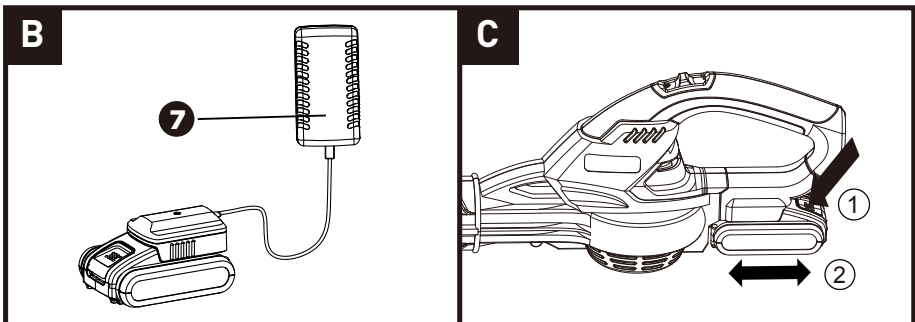
⚠ WARNING: When battery charge runs out after continuous use or exposure to direct sunlight or heat, allow time for the battery to cool down before re-charging to achieve the full charge.

CHARGING INDICATOR

Light	Status
Red on ● 	Charging
Green on ● 	Fully Charged

2. REMOVING OR INSTALLING THE BATTERY PACK (SEE FIG. C)

Depress the battery release button to release battery pack from your tool. After recharging, insert the battery pack into tool's battery port. A simple push and slight pressure will be sufficient.



Operation Instruction

1. STARTING AND STOPPING (SEE FIG. D)

Starting

Move the on/off switch to the "I" On position.

Stopping

Move the on/off switch to the "O" Off position.



WARNING: The tool runs for a few seconds after it has been switched off. Let the motor come to a complete standstill before setting the tool down.

2. USING THE BLOWER (SEE FIG. E)

The blower is intended for residential use only. Use the blower outdoors to move debris from hard surfaces. This blower is not designed to clear leaves from large grassy areas, or move wet, heavy debris.

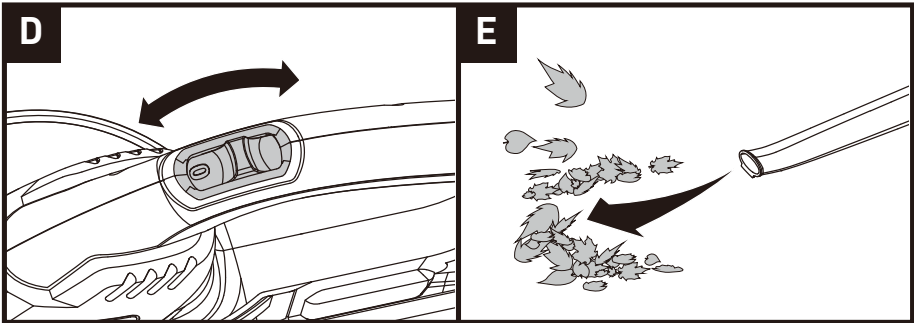
USER TIPS

- Hold the blow tube approx 180mm above the ground when operating the tool.
- Use a sweeping motion from side to side. Advance slowly keeping the accumulated debris/leaves in front of you.
- After blowing the debris/leaves into a pile, it is easy to dispose of the pile.



Caution:

- Do not blow hard objects such as nails, bolts, or rocks.
- Do not operate the blower near bystanders or pets.
- Use extra care when cleaning debris from stairs or other tight areas.
- Wear safety goggles or other suitable eye protection, long pants, and shoes.



Maintenance

1. Remove the battery pack before any work on the device.
2. Store the tool, instruction manual and accessories in a secure, dry place. In this way you will always have the information ready.
3. Keep the tool's air vents unclogged and clean at all times.
4. Remove dust and dirt regularly. Cleaning is best done with a rag or brush.
5. Never use caustic agents to clean plastic parts.



WARNING: Do not use cleaning agents to clean the plastic parts of the tool. A mild detergent on a damp cloth is recommended. Water must never come into contact with the tool.

For Battery tools

The ambient temperature range for the use and storage of tool and battery is 0°C to 45°C.

The recommended ambient temperature range for the charging system during charging is 0°C to 40°C.

Troubleshooting

The following table gives checks and actions that you can perform if your machine does not operate correctly. If these do not identify/remedy the problem, contact your service agent.



WARNING: Switch off and remove the battery pack before investigating fault.

Symptom	Possible Cause	Remedy
The tool does not work	Battery discharged Battery too hot/cold Motor is broken	Recharge battery Allow to cool/warm Contact customer service center
The battery pack cannot be removed	The battery pack release button is not pressed	Press the battery pack release button

Technical Data

Technical Data Table

Voltage	18V ---
Max air speed	200 km/h
Machine weight	1.61 kg (including battery)
Charger protection class	\square / II
Charger input (ACG1804G)	100-240V-50/60Hz, 10W
Charger output (ACG1804G)	20V --- , 0.4A
Battery capacity (ABP1820HD)	2.0 Ah Li-ion
Charging time	5-7 hrs

Warranty

Our product is guaranteed to be free from quality and manufacturing defects for a period of 12 months.

If your product becomes defective during this period, SRGS PTY LTD will offer you either a replacement, credit or refund where a product is faulty; wrongly described; different from the sample shown to you or do not do what they are supposed to do.

This warranty will not cover substantially modified product; misuse or abuse of the product contrary to user instructions or packaging label; change of mind and normal wear and tear.

Our goods come with guarantees that cannot be excluded under the Australian Consumer Law. You are entitled to a replacement or refund for a major failure and for compensation for any other reasonably foreseeable loss or damage. You are also entitled to have the goods repaired or replaced if the goods fail to be of acceptable quality and failure does not amount to a major failure.

To claim the warranty, take the product to the front Service Desk of your nearest store of purchase. You will need to show receipt or other proof of purchase. Additional information may be required to process your claim. Should you not be able to provide proof of purchase with a receipt or bank statement, identification showing name, address and signature may be required to process your claim.

Any expenses relating to the return of your product to the store will normally have to be paid by you. For online store purchases, SRGS PTY LTD will pay for the return freight for any product assessed as having a major failure.

The benefits to the customer given by this warranty are in addition to other rights and remedies of the Australian Consumer Law in relation to the goods or services to which this warranty relates.

This warranty is provided by SRGS PTY LTD, 6 Coulthards Avenue, Strathpine QLD 4500, Australia. Phone: 1300 175 010.