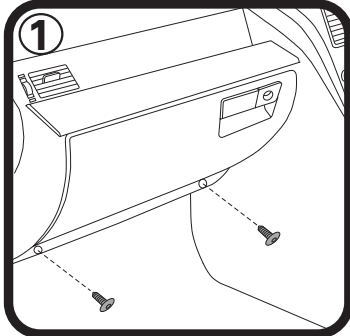
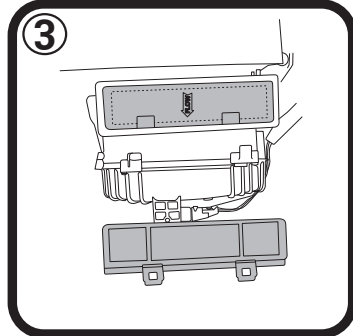


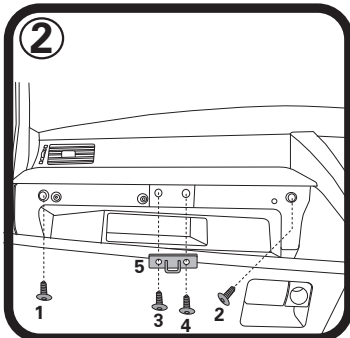
FITTING INSTRUCTIONS FOR RYCO CABIN FILTER RCA113M
NISSAN MAXIMA & MURANO
(Filter located behind glove box)



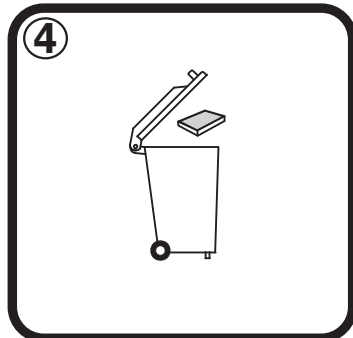
Undo 2 screws at bottom of glove box as shown.



Unclip filter cover and remove, pull used filter out of housing and replace with new RycO filter.



Open glove box, Undo 4 screws at top of glove box as shown, screws 3 & 4 retain staple (5) for glove box lock, lower glove box to access filter housing, Disconnect glove box light from back of glove box.



Refit all previously removed components in reverse sequence.

Dispose of used filter correctly.