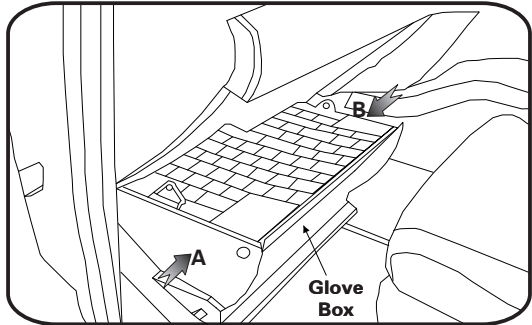


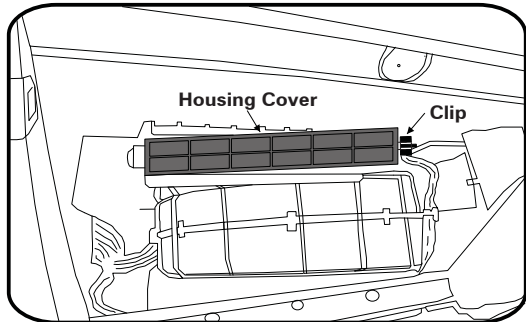
FITTING INSTRUCTIONS FOR RYCO CABIN FILTER RCA227M FORD RANGER PX

Filter is located behind glove box

1. Open the glove box and press the centre area of both side panels (As shown "A" and "B") to loosen the glove box down.



2. The cabin air filter housing is located above the glove box. Remove the cover by squeezing the clip located on its right side.



3. Remove the old filter and push the new filter into the housing. Refit the housing cover and glove box. Dispose of the used filter correctly.

