

# NANOCAM+<sup>®</sup>

NCP-DVRGPSWIFI

Full HD Dash Camera  
with 3.0" IPS Screen + GPS + WiFi



**USER MANUAL**

**Your Safety.** Our Priority

## CONTENTS

<b>1.0</b>	<b>CAUTION.....</b>	<b>6</b>
1.1	Battery Warning .....	6
<b>2.0</b>	<b>INTRODUCTION .....</b>	<b>7</b>
<b>3.0</b>	<b>FEATURES .....</b>	<b>8</b>
<b>4.0</b>	<b>PACKAGE CONTENTS .....</b>	<b>8</b>
<b>5.0</b>	<b>PRODUCT OVERVIEW.....</b>	<b>9</b>
<b>6.0</b>	<b>GETTING STARTED .....</b>	<b>10</b>
6.1	To remove the memory card .....	10
<b>7.0</b>	<b>INSTALLING THE CAR DVR .....</b>	<b>10</b>
7.1	Adjust the device position .....	11
7.2	Installing your NCP-DVRGPSWIFI .....	11
7.3	Adjust the camera position .....	11
7.4	Connecting to Power .....	11
<b>8.0</b>	<b>POWERING THE CAR DVR ON / OFF .....</b>	<b>12</b>
8.1	Auto Power On/Off.....	12
8.2	Manual Power On/Off and Reset.....	12

8.3	Manual Power On .....	12
8.4	Power Off .....	13
<b>9.0</b>	<b>RESET THE DEVICE .....</b>	<b>13</b>
<b>10.0</b>	<b>PLAYING BACK VIDEO ON A PC.....</b>	<b>13</b>
<b>11.0</b>	<b>INITIAL SETTINGS .....</b>	<b>13</b>
11.1	Formatting the Inserted Micro SD Card.....	14
<b>12.0</b>	<b>SET DATE / TIME .....</b>	<b>15</b>
<b>13.0</b>	<b>USING THE CAR DVR.....</b>	<b>16</b>
<b>14.0</b>	<b>RECORDING VIDEO .....</b>	<b>16</b>
<b>15.0</b>	<b>LOCKED RECORDING.....</b>	<b>17</b>
<b>16.0</b>	<b>SCREEN INTERFACE .....</b>	<b>18</b>
<b>17.0</b>	<b>MOVIE MODE .....</b>	<b>18</b>
17.1	Video Resolution.....	19
17.2	Video Clip Time.....	19
17.3	Delayed Power Off.....	20
17.4	Audio Record .....	21

<b>18.0</b>	<b>LDWS</b> .....	<b>21</b>
<b>19.0</b>	<b>PHOTO MODE</b> .....	<b>22</b>
19.1	Photo Menu .....	22
19.2	Resolution .....	22
19.3	Photo Quality .....	23
19.4	Exposure.....	24
19.5	ISO Sensitivity.....	25
19.6	Contrast.....	25
19.7	Sharpness .....	26
19.8	Saturation.....	27
19.9	Levels .....	28
<b>20.0</b>	<b>PLAYBACK MENU</b> .....	<b>29</b>
20.1	Volume .....	29
20.2	Deleting Photos and Videos .....	29
20.3	Locking and Unlocking Photos and Videos.....	30
20.4	Video Type.....	31
<b>21.0</b>	<b>SETTINGS MENU</b> .....	<b>32</b>
21.1	Keytone .....	32

21.2	Auto Power Off .....	32
21.3	Time Setting .....	33
21.4	Date Format .....	33
21.5	Stamp .....	34
21.6	Language.....	34
21.7	Flicker .....	35
21.8	Screen Time Out.....	35
21.9	Protect Level (Gravity Sensing).....	36
<b>22.0</b>	<b>PARKING MONITOR .....</b>	<b>37</b>
22.1	Motion Detection .....	37
22.2	Setup Reset .....	38
22.3	Format SD Card.....	39
22.4	FW Version.....	39
<b>23.0</b>	<b>GPS.....</b>	<b>40</b>
<b>24.0</b>	<b>WIFI.....</b>	<b>40</b>
<b>25.0</b>	<b>WARRANTY TERMS &amp; CONDITIONS .....</b>	<b>40</b>
<b>26.0</b>	<b>NOTES .....</b>	<b>42</b>

## **1.0 CAUTION**

- Ensure you are using your Car DVR within your countries' road laws. Please make sure you are familiar with your local road legislation before use.
- Avoid leaving your Car DVR in direct sunlight for extended periods of time in an unventilated space.
- Please set time and date before you use this device to record.
- The notifications given by the Car DVR are suggestions only, please drive to the actual conditions.
- The system is to be used only for non-commercial use, within the limits permitted by the relevant laws.
- Avoid using the Car DVR in the vicinity of any devices that emit radio interference (eg. Microwave Ovens).
- It is considered normal operation for the Car DVR to get warm during use.

## **1.1 BATTERY WARNING**

- Always power and charge the Car DVR using the provided 12v adapter. Improper charging of the Car DVR may result in failure of the internal battery.
- Never dismantle the Car DVR or expose the internal battery.
- Do not dispose of the Car DVR in fire.
- Dispose of the Car DVR observing local regulations being mindful of the internal battery.
- Do not attempt to replace or expose the internal battery.

## **NOTES ON INSTALLATION**

1. It is advised that the Car DVR is installed near the rear view mirror, at the top centre of the windshield for optimal operation.
2. Make sure that the lens is within the range of the windscreen wiper to ensure a clear view when it rains.
3. Do not touch the lens with your fingers. Finger prints left on the lens will result in unclear videos or photos. If photos or videos are blurred, please clean the lens gently with a microfibre cloth.
4. Only use the included charging cable to power the Car DVR.

## **2.0 INTRODUCTION**

Thank you for purchasing a NanoCam Plus Car DVR. We are certain that our product will give you trouble free operation while providing you with a safety feature that enhances your driving experience. Our products, like most after-market safety enhanced devices, are designed to assist and aid the driver, not to replace the manual function of the person operating the vehicle. Please read through these instructions before attempting to install this product.

For the latest manual and product updates, please visit our website at **[www.nanocamplus.com.au](http://www.nanocamplus.com.au)** or **[www.nanocamplus.co.nz](http://www.nanocamplus.co.nz)**

### 3.0 FEATURES

- Recording Full High Definition 1080p footage at 30 frames per second.
- 3" colour IPS screen
- 135° wide angle lens
- Emergency recording saves your footage when an impact is detected
- Supports Micro SD cards, class 6 and above up to 128GB

### 4.0 PACKAGE CONTENTS



Dash Camera



GPS Module



12v Adapter



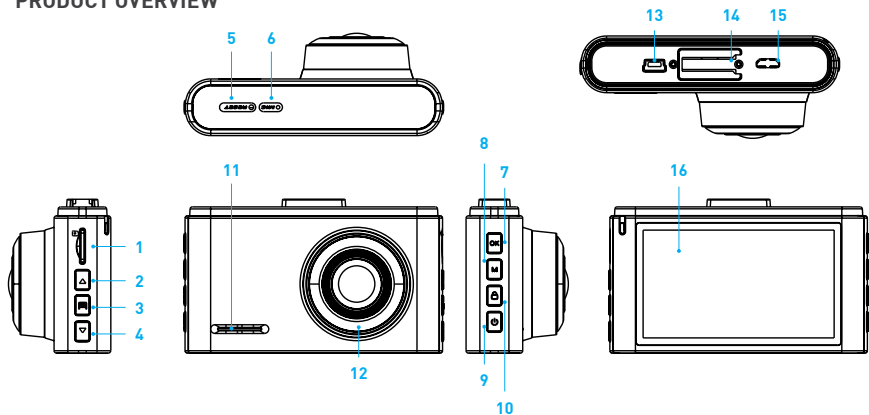
Suction Mount



User Guide



## 5.0 PRODUCT OVERVIEW



1. Micro SD card slot\*
2. Up Button (▲)
3. Menu Button (☰)
4. Down Button (▼)
5. Reset
6. Microphone

7. Rec/OK Button
8. Mode Button
9. Lock Recording Button (🔒)
10. ON/OFF Power Button (🔌)
11. Speaker
12. Lens

13. Mini USB power socket
14. Slot for fixing Suction Mount
15. GPS connector slot
16. Display Screen

\*Note: Micro SD is not included and must be purchased separately.

## 6.0 GETTING STARTED

### Inserting Memory Card

With the Car DVR turned off and the screen facing towards you insert the memory card into the slot on the left side of the camera with the text on the Micro SD card facing away from you. Push the memory card in until a click is heard.

#### **NOTE:**

1. Do not remove or insert the memory card while the Car DVR is turned on as this may damage the memory card or corrupt the memory cards stored data.
2. Please use a Class 6 or higher rated micro SD card with a maximum capacity of 128GB.
3. Please format the Micro SD card before the initial use.
4. When removing the memory card, be careful as the card may eject quickly.

### 6.1 TO REMOVE THE MEMORY CARD

Ensure that the Car DVR is powered off, then push the memory card until a click is heard and then release the card to eject.

## 7.0 INSTALLING THE CAR DVR

1. Remove the protective stickers from the Car DVR and the Suction Mount.
2. Insert the plastic mount end of the Suction Mount into the cameras mount slot slide the mount back until the camera is firmly attached.

3. Press the mount base firmly against the windscreen with the suction mount switch in the down position.
4. Secure the mount by flipping the switch up while still holding the base against the windscreen.

## **7.1 ADJUST THE DEVICE POSITION**

## **7.2 INSTALLING YOUR NCP-DVRGPSWIFI**

1. Push the bracket into bracket slot on top of device, and slide the mount from right to left until a click sound is heard.
2. Remove the protective sticker from the suction cup.
3. With the suction-cup lock switch in the up orientation, position the suction-cup on the windshield.
4. Hold the base firmly on the windshield and press down the lock switch to mount the car holder to the windshield. Make sure the base is securely locked in place.

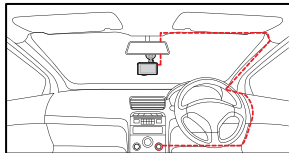
## **7.3 ADJUST THE CAMERA POSITION**

1. Loosen the knob and adjust the device vertically and/or horizontally.
2. Tighten the knob to make sure the device is securely locked in place.

## **7.4 CONNECTING TO POWER**

Only use the included 12v Power Adapter to power the Car DVR.

1. Once the Car DVR is securely installed on your vehicle's windscreen, plug the 12v Power Adapter into your vehicle's cigarette lighter.
2. Run the cable along your vehicle's console and windscreen and plug the USB Micro plug into the Car DVR.



**NOTE:**

1. It is recommended that the Car DVR is installed behind your vehicle's rear view mirror.
2. Make sure that the camera view is not obstructed by any window tint or any other objects.
3. When removing the suction mount be sure to release the suction mount by switching the suction latch to the down position.


## **8.0 POWERING THE CAR DVR ON / OFF**

### **8.1 AUTO POWER ON/OFF**


When the Car DVR is correctly installed and connected to your vehicle's 12v power supply, the Car DVR will automatically power up and start recording when the vehicle accessories are activated.

### **8.2 MANUAL POWER ON/OFF AND RESET**

### **8.3 MANUAL POWER ON**

Hold the  Power button on the top of the camera until the NanoCam Plus start up screen appears.

## **8.4 POWER OFF**

Make sure that recording has been stopped and then press the  Power button on the bottom right hand side of the car DVR. After powering down the device please wait for 10 seconds before turning the Car DVR back on.

## **9.0 RESET THE DEVICE**

If the Car DVR does not function normally, try restarting the car DVR. To restart the car DVR, with a flattened paper clip press the small button in the middle of the underside of the Car DVR.

## **10.0 PLAYING BACK VIDEO ON A PC**

To playback video files on your PC it is recommended to connect the Micro SD card (not included) directly to your PC using either a USB Micro SD card reader (not included) or if your PC has a SD card slot or a Micro SD/SD Card converter (not included). Once the Micro SD card is connected it should appear as a removable storage device. It is recommended that you transfer video files that you want to playback to a file on your computer before attempting to playback. This will reduce any delay in playback.

## **11.0 INITIAL SETTINGS**

Before using the Car DVR we recommend formatting the inserted Micro SD Card and setting the correct Time and Date.

## 11.1 FORMATTING THE INSERTED MICRO SD CARD

Formatting the Micro SD card will delete all information on the inserted Micro SD Card and prepare the card for use with the Car DVR.

1. Press the **OK** Rec/Ok Button to stop the Car DVR from recording.
2. Press the **≡** Menu Button to enter the Video Menu.
3. Press the **≡** Menu Button to enter the Photo Menu.
4. Press the **≡** Menu Button again to enter the Playback Menu.
5. Press the **≡** Menu Button again to enter the General Settings Menu.
6. Use the **▲** Up and **▼** Down Buttons to navigate the Settings Menu and highlight the Format SD Card and press **OK** Rec/Ok to select.
7. Select **YES** to confirm and press the **OK** Rec/Ok Button.

### NOTE:

1. Menus cannot be accessed while the camera is recording. Please stop the recording before attempting to access the menu.
  2. Formatting your Micro SD Card will delete all files from the card. Once these files have been deleted you will not be able to recover them.
- \* Please ensure that the NCP-DVRGPSWIFI is compatible with Micro SD cards up to 128GB capacity, Class 6 or above (Class 10 recommended). Micro SD Card is not included.

## 12.0 SET DATE / TIME

Setting the Time and Date allows you to stamp your footage with the time as a reference.

1. Press the **OK** Rec/Ok Button to stop the Car DVR from recording.
2. Press the **≡** Menu Button to enter the Video Menu.
3. Press the **≡** Menu Button to enter the Photo Menu.
4. Press the **≡** Menu Button again to enter the Playback Menu.
5. Press the **≡** Menu Button again to enter the General Settings Menu.
6. Use the **▲** Up and **▼** Down Buttons to navigate the Settings Menu and highlight the **🕒** "Time setting" setting and press **OK** Rec/Ok to select.
7. Use the **▲** Up and **▼** Down buttons to edit the selected digit and the **OK** Rec/Ok button to confirm and progress to the next digit. The final field sets the format that the date will be presented in.
8. To save and exit the time and date, press the **OK** Rec/Ok button.

### NOTE:

1. Menus cannot be accessed while the camera is recording. Please stop the recording before attempting to access the menu.
2. Once the time and date is set it can be stamped onto your footage using the Date Stamp setting. Please see section Date Stamp for more details.

### 13.0 USING THE CAR DVR

### 14.0 RECORDING VIDEO

When the Car DVR is connected to your vehicle's 12v power supply, using the supplied 12v adapter the Car DVR will automatically power up and begin recording when you start your vehicle. During the start up the buttons will be unresponsive and the camera will take a moment to begin recording. The Car DVR will automatically stop recording and shutdown when your vehicle is powered off.


#### **NOTE:**

1. Because of how some vehicles are wired, the recording may continue when the engine is switched off. If this happens, please manually turn off the Car DVR or remove the car adapter from the cigarette lighter when not in use.
2. The recording loop length can be configured to save a video file for every 1,2,3,5 or 10 minutes of recording. For information on how to adjust this setting please refer to the Loop Recording section of this manual.
3. The device saves the recorded footage and photos on to the inserted Micro SD Card. If the memory card capacity is full, the oldest file in the memory card will be overwritten.



## 15.0 LOCKED RECORDING

Locked Recording saves the current video file and protects it from being overwritten. To manually start a Locked Recording follow the instructions below.

1. During recording push the  button.

### **NOTE:**

1. If the G Sensor (Gravity Sensing) function is enabled and a collision is detected, the device will automatically trigger the emergency recording and protect the current video file. Please refer to the section titled G Sensor (Gravity Sensing).
2. The emergency recording file is created as a new file, which will be protected to avoid being overwritten by normal loop recording. If the inserted Micro SD Card fills up with Emergency Recording files the message “SD Card Full” will appear on the screen, the oldest emergency file will be automatically deleted when a new emergency recording file is created.

## 16.0 SCREEN INTERFACE



1. Video Mode
2. Loop Recording
3. Exposure
4. Microphone / Mute Recording
5. Recording Indicator
6. GPS
7. WIFI
8. Recording Time
9. Resolution
10. Park Mode
11. G Sensor
12. SD Card
13. Charging
14. Date
15. Time

## 17.0 MOVIE MODE

When the Car DVR is powered up the video screen will start by default. In this screen recording will automatically start and can be stopped by pressing the **OK** (Rec/Ok) Button. To access the Video Menu, ensure that the Car DVR is not recording then press the **≡** button.

## 17.1 VIDEO RESOLUTION

Resolution sets the video quality. Higher resolution video will capture more detail and will also produce larger files. To change the recording resolution, please follow the instructions below.

1. Press the **OK** (Rec/Ok) Button to stop the Car DVR from recording.
2. Press the **≡** Menu Button to enter the Movie Mode Menu.
3. Use the **▲** Up and **▼** Down Buttons to navigate the Settings Menu and highlight the Resolution setting and press **OK** (Rec/Ok) to select.
4. Use the **▲** Up and **▼** Down Buttons to highlight your required resolution, then press the **OK** (Rec/Ok) button to confirm your selection.

### NOTE:

1. Menus cannot be accessed while the camera is recording. Please stop the recording before attempting to access the menu.
2. Higher resolution clips will create larger files which will fill the Micro SD Card faster.

## 17.2 VIDEO CLIP TIME

Loop recording allows you to set the duration that the camera will record before creating a new clip. To set the clip length please follow the instructions below.

1. Press the **OK** (Rec/Ok) Button to stop the Car DVR from recording.
2. Press the **≡** Button to enter the Movie Mode Menu.

3. Use the ▲ Up and ▼ Down Buttons to navigate the Settings Menu and highlight the Loop Recording setting and press **OK** (Rec/Ok) to select.
4. Use the ▲ Up and ▼ Down Buttons to highlight your required Clip Length, then press the **OK** (Rec/Ok) button to confirm your selection.

**NOTE:**

1. Menus cannot be accessed while the camera is recording. Please stop the recording before attempting to access the menu.
2. Selecting the OFF option will create the longest possible clip, in most cases depending on the set resolution and other factors this will be limited to 10MB.
3. To avoid filling the card quickly it is advised to use the 1 or 2 minute options.

### **17.3 DELAYED POWER OFF**

Delayed power off helps you to delay the power off of the DVR and recording time after the Engine is switched off. To set the delay in power off for DVR please follow the instructions below.

1. Press the **OK** (Rec/Ok) Button to stop the Car DVR from recording.
2. Press the **≡** Button to enter the Movie Mode Menu.
3. Use the ▲ Up and ▼ Down Buttons to navigate the Movie Mode Menu and highlight Delay power off **⌚** setting and press **OK** (Rec/Ok) to select.
4. Use the ▲ Up and ▼ Down Buttons to highlight your required delay in power off time, then press the **OK** (Rec/Ok) button to confirm your selection.

**NOTE:**

- Menus cannot be accessed while the camera is recording. Please stop the recording before attempting to access the menu.

**17.4 AUDIO RECORD**

The Recording Audio setting allows you to mute the microphone during recording, or set it to record. To set your recording preferences, please follow the instructions below.

1. Press the **OK** (Rec/Ok) Button to stop the Car DVR from recording.
2. Press the **≡** Button to enter the Movie Mode Menu.
3. Use the **←** and **→** Buttons to navigate the Movie mode Menu and highlight the Recording Audio setting and press **OK** (Rec/Ok) to select.
4. Use the **▲** Up and **▼** Down Buttons to highlight either OFF or ON, then press the **OK** (Rec/Ok) button to confirm your selection.

**NOTE:**

- Menus cannot be accessed while the camera is recording. Please stop the recording before attempting to access the menu

**18.0 LDWS**

The built-in LDWS - Lane Departure Warning System will constantly monitor the road ahead and your driving lane. The camera will provide both an audible and visual alert if your vehicle is drifting out of it's lane.

1. Press the **OK** (Rec/Ok) Button to stop the Car DVR from recording.
2. Press the **≡** Button to enter the Movie Mode Menu.
3. Use the **←** and **→** Buttons to navigate the Movie mode Menu and highlight the LDWS setting and press **OK** (Rec/Ok) to select.
4. Use the **▲** Up and **▼** Down Buttons to highlight either OFF or ON, then press the **OK** (Rec/Ok) button to confirm your selection.

## 19.0 PHOTO MODE

Photo mode is used to capture still images using your Car DVR. To access the Photo mode ensure that the camera is not recording and press the **≡** Button twice. Photo mode also has a menu which is used to edit the photo settings.

### 19.1 PHOTO MENU

### 19.2 RESOLUTION

Resolution sets the still image photo quality. Higher resolution images will capture more detail and will also produce larger files. To change the photo resolution, please follow the instructions below.

1. Press the **OK** (Rec/Ok) Button to stop the Car DVR from recording.
2. Press the **≡** Button twice to enter the Photo Menu.
3. Use the **▲** Up and **▼** Down Buttons to navigate the Photo Menu and highlight Resolution setting and press **OK** (Rec/Ok) to select.

4. Use the ▲ Up and ▼ Down Buttons to highlight your required resolution, then press the **OK** (Rec/Ok) button to confirm your selection.

**NOTE:**

1. Menus cannot be accessed while the camera is recording. Please stop the recording before attempting to access the menu.
2. This setting can only be accessed through the Photo Menu, please make sure that you are in the Photo screen when you access the menu.

### 19.3 PHOTO QUALITY

Quality sets the image detail. Higher quality images will capture more detail and will also produce larger files. To change the recording resolution, please follow the instructions below.

1. Press the **OK** (Rec/Ok) Button to stop the Car DVR from recording.
2. Press the ≡ Button twice to enter the Photo Menu.
3. Use the ▲ Up and ▼ Down Buttons to navigate the Photo Menu and highlight the Quality setting and press **OK** (Rec/Ok) to select.
4. Use the ▲ Up and ▼ Down Buttons to highlight your required quality, then press the **OK** (Rec/Ok) button to confirm your selection.

**NOTE:**

1. Menus cannot be accessed while the camera is recording. Please stop the recording before attempting to access the menu.
2. This setting can only be accessed through the Photo Menu, please make sure that you are in the Photo screen when you access the menu.

**19.4 EXPOSURE**

Exposure is used to manually control the light settings. To change the Exposure setting follow the instructions below

1. Press the **OK** (Rec/Ok) Button to stop the Car DVR from recording.
2. Press the **≡** Button twice to enter the Photo Menu.
3. Use the **▲** Up and **▼** Down Buttons to navigate the Photo Menu and highlight the Exposure setting and press **OK** (Rec/Ok) to select.
4. Use the **▲** Up and **▼** Down Buttons to highlight your required Exposure setting, then press the **OK** (Rec/Ok) button to confirm your selection.

**NOTE:**

1. Menus cannot be accessed while the camera is recording. Please stop the recording before attempting to access the menu.
2. This setting can only be accessed through the Photo Menu, please make sure that you are in the Photo screen when you access the menu.



## 19.5 ISO SENSITIVITY

ISO is used to manage how much light is let into the image sensor. Setting a higher ISO will let in more light and blurred movement and lower ISO will capture less movement and less light. To change the ISO setting follow the instructions below.

1. Press the **OK** (Rec/Ok) Button to stop the Car DVR from recording.
2. Press the **≡** Button twice to enter the Photo Menu.
3. Use the **▲** Up and **▼** Down Buttons to navigate the Photo Menu and highlight the ISO setting and press **OK** (Rec/Ok) to select.
4. Use the **▲** Up and **▼** Down Buttons to highlight your required ISO setting, then press the **OK** (Rec/Ok) button to confirm your selection.

### NOTE:

1. Menus cannot be accessed while the camera is recording. Please stop the recording before attempting to access the menu.
2. This setting can only be accessed through the Photo Menu, please make sure that you are in the Photo screen when you access the menu.

## 19.6 CONTRAST

Contrast setting is used to set the contrast level of the color in the recorded videos

1. Press the **OK** (Rec/Ok) Button to stop the Car DVR from recording.
2. Press the **≡** Button twice to enter the Photo Menu.

3. Use the ▲ Up and ▼ Down Buttons to navigate the Photo Menu and highlight the Contrast setting and press **OK** (Rec/Ok) to select.
4. Use the ▲ Up and ▼ Down Buttons to highlight your required Contrast setting, then press the **OK** (Rec/Ok) button to confirm your selection.

**NOTE:**

1. Menus cannot be accessed while the camera is recording. Please stop the recording before attempting to access the menu.
2. This setting can only be accessed through the Photo Menu, please make sure that you are in the Photo screen when you access the menu.

## 19.7 SHARPNESS

Sharpness sets the boldness of the image. Images with a stronger sharpness will create bolder images with stronger outlines. To change the photo Sharpness, please follow the instructions below.

1. Press the **OK** (Rec/Ok) Button to stop the Car DVR from recording.
2. Press the ≡ Button twice to enter the Photo Menu.
3. Use the ▲ Up and ▼ Down Buttons to navigate the Photo Menu and highlight the Sharpness setting and press **OK** (Rec/Ok) to select.
4. Use the ▲ Up and ▼ Down Buttons to highlight your required sharpness, then press the **OK** (Rec/Ok) button to confirm your selection.

**NOTE:**

1. Menus cannot be accessed while the camera is recording. Please stop the recording before attempting to access the menu.
2. This setting can only be accessed through the Photo Menu, please make sure that you are in the Photo screen when you access the menu.

**19.8 SATURATION**

The Saturation setting is used to manually adjust the settings used to Saturate the intensity level of the colors reproduced on the video .

1. Press the **OK** (Rec/Ok) Button to stop the Car DVR from recording.
2. Press the **≡** Button twice to enter the Photo Menu.
3. Use the **▲** Up and **▼** Down Buttons to navigate the Photo Menu and highlight the Saturation setting and press **OK** (Rec/Ok) to select.
4. Use the **▲** Up and **▼** Down Buttons to highlight your required setting, then press the **OK** (Rec/Ok) button to confirm your selection.

**NOTE:**

1. Menus cannot be accessed while the camera is recording. Please stop the recording before attempting to access the menu.
2. This setting can only be accessed through the Photo Menu, please make sure that you are in the Photo screen when you access the menu.

## 19.9 LEVELS

The Level setting is used to manually adjust the settings used to counteract different light conditions. This setting is set to Auto by default. To change the Level setting follow the instructions below.

1. Press the **OK** (Rec/Ok) Button to stop the Car DVR from recording.
2. Press the **≡** Button twice to enter the Photo Menu.
3. Use the **▲** Up and **▼** Down Buttons to navigate the Photo Menu and highlight the White Balance setting and press **OK** (Rec/Ok) to select.
4. Use the **▲** Up and **▼** Down Buttons to highlight your required setting, then press the **OK** (Rec/Ok) button to confirm your selection.

### NOTE:

1. Menus cannot be accessed while the camera is recording. Please stop the recording before attempting to access the menu.
2. This setting can only be accessed through the Photo Menu, please make sure that you are in the Photo screen when you access the menu.

## 20.0 PLAYBACK MENU

### 20.1 VOLUME

To increase the volume of the speaker of Dash Camera.

1. Navigate to the playback screen using the instructions in the section labeled Playback Screen.
2. In the Volume Mode use the ▲ Up and ▼ Down Buttons to select the level of volume you want to adjust.

### 20.2 DELETING PHOTOS AND VIDEOS

To delete an unlocked photo or video follow the instructions below.

1. Navigate to the playback screen using the instructions in the section labelled Playback.
2. In the Delete Section use the ▲ Up and ▼ Down Buttons to select the photo or video that you want to delete (if you want to delete all unlocked photos and videos select any unlocked Photo or Video).
3. Press the ≡ button to enter the Playback Menu and use the ▲ Up and ▼ Down Buttons to select the Delete setting and press the **OK** (Rec/Ok) button.
4. Navigate to the playback screen using the instructions in the section labelled Playback Screen.
5. In the Playback Screen use the ▲ Up and ▼ Down Buttons to select the photo or video that you want to delete (if you want to delete all unlocked photos and videos select any unlocked Photo or Video).

6. Select OK and press the **OK** (Rec/Ok) button to confirm the deletion.

**NOTE:**

1. Menus cannot be accessed while the camera is recording. Please stop the recording before attempting to access the menu.
2. You will only be able to delete videos that have not been protected by a G Sensor.
3. To unlock protected files please follow the directions in the section marked Protect Photos and Videos.
4. To easily delete all files on the inserted Micro SD Card, please follow the instructions given in the section marked Format

### **20.3 LOCKING AND UNLOCKING PHOTOS AND VIDEOS**

To Lock or Unlock photos or videos from being deleted, please follow the instructions below.

1. Navigate to the playback screen using the instructions in the section labeled Playback Screen.
2. In the Playback Screen use the ▲ Up and ▼ Down Buttons to select the photo or video that you want to lock or unlock (if you want to lock or unlock all photos and videos select any Photo or Video).
3. Press the ≡ button to enter the Playback Menu and use the ▲ Up and ▼ Down Buttons to select the Protect setting and press the **OK** (Rec/Ok) button.

4. Use the ▲ Up and ▼ Down Buttons to select either Unlock All, which will unlock all photos and videos, Unlock Current to unlock the currently selected photo or video, Lock All to lock all videos and photos to protect them from deletion, or Lock Current to lock the currently selected to protect the currently selected photo or video from deletion.
5. Select OK and press the **OK** (Rec/Ok) button to confirm your selection.

**NOTE:**

1. Menus cannot be accessed while the camera is recording. Please stop the recording before attempting to access the menu.
2. To easily delete all file on the inserted Micro SD Card, please follow the instructions given in the section marked Format.

## 20.4 VIDEO TYPE

Video Type helps you to select the type of folder in which you want to store your Videos

1. Navigate to the playback screen using the instructions in the section labeled Playback Screen.
2. In the Playback Screen use the ▲ Up and ▼ Down Buttons to select the folder, Normal Parking or Emergency. All your videos will be stored in the selected folder.
3. Select OK and press the **OK** (Rec/Ok) button to confirm your selection.

**NOTE:**

- Menus cannot be accessed while the camera is recording. Please stop the recording before attempting to access the menu.

**21.0 SETTINGS MENU**

The Settings menu is used to adjust the cameras Settings.

To Access the Settings menu, ensure that the camera is not recording and press the **≡** Menu Button to enter the Video Menu, then press the **≡** Menu Button again to enter the Photo Menu, Press the **≡** Menu Button again to enter PlayBack Menu , Press the **≡** Menu Button again to enter General Settings.

**21.1 KEYTONE**

Keytone will help you to mute the keypad pressing tone.

1. Press the **OK** (Rec/Ok) Button to stop the Car DVR from recording.
2. Press the **≡** Button 4 times to enter the General Setting Menu.
3. Use the **▲** Up and **▼** Down Buttons to navigate the Settings Menu and highlight the Keytone and press **OK** (Rec/ Ok) to select On or Off.

**21.2 AUTO POWER OFF**

Auto Power off will help you to switch of your DVR automatically when there is no power or no Micro SD Card inside the Car DVR.



1. Press the **OK** (Rec/Ok) Button to stop the Car DVR from recording.
2. Press the **≡** Button 4 times to enter the General Setting Menu.
3. Use the **▲** Up and **▼** Down Buttons to navigate the Settings Menu and highlight the Auto Power Off and press **OK** (Rec/Ok) to select Never /1min/5minutes

### 21.3 TIME SETTING

Time Setting will help you to set the time of your DVR matching to the local time

1. Press the **OK** (Rec/Ok) Button to stop the Car DVR from recording.
2. Press the **≡** Button 4 times to enter the General Setting Menu.
3. Use the **▲** Up and **▼** Down Buttons to navigate the Settings Menu and highlight the Auto Power Off and press **OK** (Rec/ Ok) to select Never /1min/5minutes

### 21.4 DATE FORMAT

Date Format option will help you to set the date in the format which you want on you video display and also on the water mark on the recorded video.

1. Press the **OK** (Rec/Ok) Button to stop the Car DVR from recording.
2. Press the **≡** Button 4 times to enter the General Setting Menu.
3. Use the **▲** Up and **▼** Down Buttons to navigate the Settings Menu and highlight the Date format setting and press **OK** (Rec/Ok) to select.
4. Use the **▲** Up and **▼** Down Buttons to highlight the format which you want to be selected, then press the **OK** (Rec/Ok) button to confirm your selection.

## 21.5 STAMP

GPS Stamp feature will stamp the GPS co-ordinates onto your recorded video as it records by default.

1. Press the **OK** (Rec/Ok) Button to stop the Car DVR from recording.
2. Press the **≡** Button 4 times to enter the General Setting Menu.
3. Use the **←** and **→** Buttons to navigate the Settings Menu and highlight the Stamp setting and press **OK** (Rec/Ok) to select.
4. Use the **▲** Up and **▼** Down Buttons to highlight the stamp option which you want to be selected, then press the **OK** (Rec/Ok) button to confirm your selection.

## 21.6 LANGUAGE

Language option will help you to select the language of your dashcam.

1. Press the **OK** (Rec/Ok) Button to stop the Car DVR from recording.
2. Press the **≡** Button 4 times to enter the General Setting Menu.
3. Use the **←** and **→** Buttons to navigate the Settings Menu and highlight the language setting and press **OK** (Rec/Ok) to select.
4. Use the **▲** Up and **▼** Down Buttons to highlight the language option which you want to be selected, then press the **OK** (Rec/Ok) button to confirm your selection.

## 21.7 FLICKER

Flicker option will help you to adjust the camera's frequency rate when recording video to minimise flickering effect from LED lights.

1. Press the **OK** (Rec/Ok) Button to stop the Car DVR from recording.
2. Press the **≡** Button 4 times to enter the General Setting Menu.
3. Use the **←** and **→** Buttons to navigate the Settings Menu and highlight the Flicker setting and press **OK** (Rec/Ok) to select.
4. Use the **▲** Up and **▼** Down Buttons to highlight the 50/60Hz frequency, then press the **OK** (Rec/Ok) button to confirm your selection.

## 21.8 SCREEN TIME OUT

Setting the Screen time out will set the time after which the screen will switch off automatically while DVR will continue recording.

1. Press the **OK** (Rec/Ok) Button to stop the Car DVR from recording.
2. Press the **≡** Button 4 times to enter the General Setting Menu.
3. Use the **←** and **→** Buttons to navigate the Settings Menu and highlight the Screen Time out and press **OK** (Rec/Ok) to select.
4. Use the **▲** Up and **▼** Down Buttons to highlight the Off /1 min / 3 minutes, then press the **OK** (Rec/Ok) button to confirm your selection.

## 21.9 PROTECT LEVEL (GRAVITY SENSING)

The G Sensor defines the required force needed to trigger emergency recording. Once Emergency recording is triggered the current recording will be saved and protected from being saved over by the normal loop recording. To set the required sensitivity please follow the instructions below.

1. Use the ▲ Up and ▼ Down Buttons to navigate the Settings Menu and highlight the Protect Level setting and press **OK** (Rec/ Ok) to select.
2. Use the ▲ Up and ▼ Down Buttons to highlight either OFF/ HIGH/ MIDDLE/ LOW, then press the **OK** (Rec/Ok) button to confirm your selection.

### NOTE:

1. Menus cannot be accessed while the camera is recording. Please stop the recording before attempting to access the menu.
2. If your memory card is filling up quickly you may need to lower the sensitivity of the G Sensor (Gravity Sensor) to decrease the number of triggers caused by normal driving.

## 22.0 PARKING MONITOR

When activated, Parking Monitor will monitor the DVR's G Sensor after you have turned off your vehicle. If an impact is detected the DVR will power up and record a 60 second clip. To set Park Mode, follow the instructions below.

1. Ensure that the Car DVR is not recording.
2. Press the **≡** Menu Button 4 times to enter the General Settings Menu.
3. Use the **▲** Up and **▼** Down Buttons to navigate the Settings Menu and highlight the Parking Monitor setting and press **OK** (Rec/Ok) to select.
4. Use the **▲** Up and **▼** Down Buttons to highlight either OFF /HIGH/MIDDLE/LOW, then press the **OK** (Rec/Ok) button to confirm your selection.

### NOTE:

1. Menus cannot be accessed while the camera is recording. Please stop the recording before attempting to access the menu.
2. Park mode requires the DVR's internal battery to be fully charged.
3. Park Mode is activated when an impact is detected and will record from that point onward.

## 22.1 MOTION DETECTION

Motion Detection monitors on screen movement and will start recording when movement is detected. Motion Detection will also stop recording after 10 seconds of no on screen movement.

To set up Motion Detection on your Dash Cam follow the directions below.

1. Press the **OK** (Rec/Ok) Button to stop the Car DVR from recording.
2. Press the **≡** Button 4 times to enter the General Setting Menu.
3. Use the **▲** Up and **▼** Down Buttons to navigate the Settings Menu and highlight the Protect Level setting and press **OK** (Rec/ Ok) to select.
4. Use the **▲** Up and **▼** Down Buttons to highlight either OFF/ LOW/ MIDDLE/ HIGH, then press the **OK** (Rec/Ok) button to confirm your selection.

**NOTE:**

1. Menus cannot be accessed while the camera is recording. Please stop the recording before attempting to access the menu.

## 22.2 SETUP RESET

Setup Reset will make the camera go back to default factory settings

1. Press the **OK** (Rec/Ok) Button to stop the Car DVR from recording.
2. Press the **≡** Button 4 times to enter the General Setting Menu.
3. Use the **▲** Up and **▼** Down Buttons to navigate the Settings Menu and highlight the Setup Reset setting and press **OK** (Rec/Ok) to select.
4. Select Yes or No to restore to default factory settings .

## 22.3 FORMAT SD CARD

Format SD Card will format your Micro SD Card.

1. Press the **OK** (Rec/Ok) Button to stop the Car DVR from recording.
2. Press the **≡** Button 4 times to enter the General Setting Menu.
3. Use the **▲** Up and **▼** Down Buttons to navigate the Settings Menu and highlight the Format SD card and press OK( Rec/Ok) to select.
4. Select Yes or No to restore to format Micro SD Card.

### NOTE:

- All files on your Micro SD Card will be deleted if you format the Micro SD Card.

## 22.4 FW VERSION

FW Version will show the current firmware version of your Dash Cam.

1. Press the **OK** (Rec/Ok) Button to stop the Car DVR from recording.
2. Press the **≡** Button 4 times to enter the General Setting Menu.
3. Use the **▲** Up and **▼** Down Buttons to navigate the Settings Menu and highlight the Setup Reset setting and press **OK** (Rec/Ok) to select.

### **23.0 GPS**

GPS will record your coordinates and the speed of every travel. Coordinates and the speed will be watermarked on the recorded Videos.

After connecting the GPS cable in the socket on the Dash Cam, the GPS symbol will turn green on the display which will show that Dash Camera has connected with satellites.

### **24.0 WIFI**

WIFI is default ON.

1. Please download the NCP-DVRGPSWIFI app from the play store or Apple Store depending on your mobile device.
2. After successfully downloading and installation of the app on your mobile .
3. Search for NCP-DVRGPSWIFI WIFI connection and connect it on your mobile device by entering password "12345678".
4. Please open the app and you can sync with your DVR which will show you the videos and app settings.
5. Please search for the network NCP-DVRGPSWIFI and connect with your mobile device.

### **25.0 WARRANTY TERMS & CONDITIONS**

Our goods come with guarantees that cannot be excluded under the Australian & New Zealand Consumer Law. You are entitled to a replacement or refund for a major failure and for compensation for any other reasonably foreseeable loss or damage. You are also entitled to have



the goods repaired or replaced if the goods fail to be of acceptable quality and the failure does not amount to a major failure.

This warranty is provided in addition to your rights under the Australian & New Zealand Consumer Law.

NanoCam Plus warrants that this product is free from defects in material and workmanship for a period of 12 months from the date of purchase or for the period stated on the packaging. This warranty is only valid where you have used the product in accordance with any recommendations or instructions provided by NanoCam Plus.

This warranty excludes defects resulting from alterations of the product, accident, misuse, abuse or neglect.

In order to claim the warranty, you must return the product to the retailer from which it was purchased or if that retailer is part of a National network, a store within that chain, along with satisfactory proof of purchase. The retailer will then return the goods to NanoCam Plus.

NanoCam Plus will repair, replace or refurbish the product at its discretion. The retailer will contact you when the product is ready for collection. All costs involved in claiming this warranty, including the cost of the retailer sending the product to NanoCam Plus, will be borne by you.

NanoCam Plus Address: 44 Translink Drive, Keilor Park Victoria Australia 3042

**Ph: +61 03 8331 4800**

**Email: [info@nanocamplus.com.au](mailto:info@nanocamplus.com.au)**

## 26.0 NOTES

---

---

---

---

---

---

---

---

---

---

---

---

---

---

---

---

---

---

---

---

**Your Safety.** Our Priority

NANOCAM+

[www.nanocamplus.com.au](http://www.nanocamplus.com.au)  
[www.nanocamplus.co.nz](http://www.nanocamplus.co.nz)



All Images, Information and Content are Copyright © 2019  
Directed Electronics Australia Pty Ltd. All Rights Reserved.

**DIRECTED**  
AUSTRALIA & NZ

[www.directed.com.au](http://www.directed.com.au)  
[www.directed.co.nz](http://www.directed.co.nz)