

HIGH PRESSURE AIR SPRAY GUN



HIGH PRESSURE AIR SPRAY GUN



**INSTRUCTION
MANUAL**

BLACKRIDGE

Manufactured and packaged for SRGS
PTY LTD ABN 23 113 230 050
751 Gympie Road, Lawnton, Queensland 4501, Australia

BLACKRIDGE

PLU 572923

WARRANTY

Our product is guaranteed to be free from quality and manufacturing defects for a period of 12 months.

If your product becomes defective during this period, SRGS PTY LTD will offer you either a replacement, credit or refund where a product is faulty; wrongly described; different from the sample shown to you or do not do what they are supposed to do.

This warranty will not cover substantially modified product; misuse or abuse of the product contrary to user instructions or packaging label; change of mind and normal wear and tear.

Our goods come with guarantees that cannot be excluded under the Australian Consumer Law. You are entitled to a replacement or refund for a major failure and for compensation for any other reasonably foreseeable loss or damage. You are also entitled to have the goods repaired or replaced if the goods fail to be of acceptable quality and failure does not amount to a major failure.

To claim the warranty, take the product to the front Service Desk of your nearest store of purchase. You will need to show receipt or other proof of purchase. Additional information may be required to process your claim. Should you not be able to provide proof of purchase with a receipt or bank statement, identification showing name, address and signature may be required to process your claim.

Any expenses relating to the return of your product to the store will normally have to be paid by you. For online store purchases, SRGS PTY LTD will pay for the return freight for any product assessed as having a major failure.

The benefits to the customer given by this warranty are in addition to other rights and remedies of the Australian Consumer Law in relation to the goods or services to which this warranty relates.

This warranty is provided by SRGS PTY LTD, 751 Gympie Road, Lawnton, QLD 4501, Australia. Phone: 1300 175 010.

ILLUSTRATION



TECHNICAL DATA

Model: PQ-2UA
Standard Nozzle: 1.8mm (nozzle size range: 1.8mm - 2.5mm)
Recommended Operating Pressure: 50 PSI
Average Air Consumption: 100 LPM
Fluid Delivery: 0.28 - 0.36 LPM
Painting Fan: 180mm - 260mm (at distance of 20cm)
Cup Size: 1000ml
Air Inlet: 1/4"

WARNING

When using the tool, basic safety precautions should always be followed to reduce the risk of personal injury and damage to equipment. Please read all instructions carefully before using this tool.

- **WORK AREA CONDITIONS.** Cluttered areas invite injuries. Avoid any ignition sources, such as smoking, open flames and similar hazards.
- **ADDITIONAL WORK AREA CONDITIONS.** Do not use machines or power tools in damp or wet locations. Do not expose to rain. Keep work area illuminated.
- **KEEP CHILDREN AWAY.** Children should not be allowed in the work area. Do not let them handle machines, tools or extension cords.
- **STORE IDLE EQUIPMENT.** When not in use, tools must be stored in a dry location to inhibit rust or corrosion. Always lock up tools and keep out of reach of children.
- **USE THE RIGHT TOOL FOR THE JOB.** Always use the tool for the specific purpose it was intended.

- **DRESS PROPERLY.** Always wear the appropriate clothing suited to the painting application.
- **WEAR EYE PROTECTION.** Always wear appropriate eye protection when operating a spray gun.
- **DO NOT OVER-REACH.** Keep proper footing and balance at all times. Do not reach over or across running machines.
- **STAY ALERT.** Watch what you are doing and use common sense. Do not operate any tools when you are tired.
- **CHECK FOR DAMAGED PARTS.** Before using any tool, any part that appears damaged should be carefully checked to determine if it will operate properly and perform its intended function. Any part that cannot fulfill its intended purpose should be replaced.
- **REPLACEMENT PARTS AND ACCESSORIES.** When servicing, use only identical replacement parts.
- **DO NOT OPERATE TOOLS IF UNDER THE INFLUENCE OF ALCOHOL OR DRUGS.** Read warning labels on prescriptions to determine if your judgement or reflexes will be impaired while taking drugs. If there is any doubt, do not operate the tool.

OPERATION

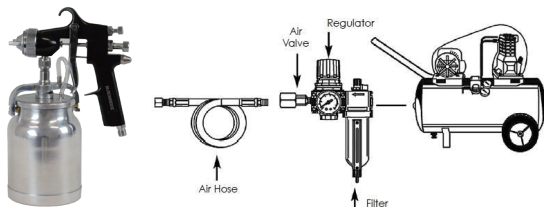
Preparation before operating:

- Check and replace any damaged or worn parts.
- Make sure the nozzle and air trigger are free to operate correctly.
- Pour paint into the paint cup.
- Attach the cup to the spray gun. Make sure the lid is securely tightened and the vent tube is secured.

WARNING: When filling or refilling the material, disconnect your gun from the air supply to avoid accidental spillage or spraying.

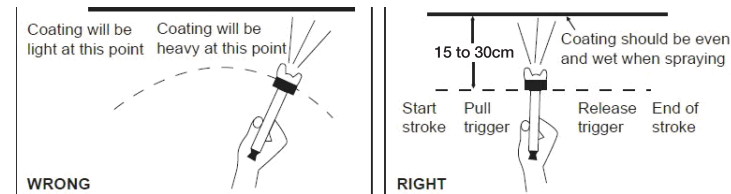
Operating:

Recommended air line components (for best results you should incorporate an air regulator with filter).



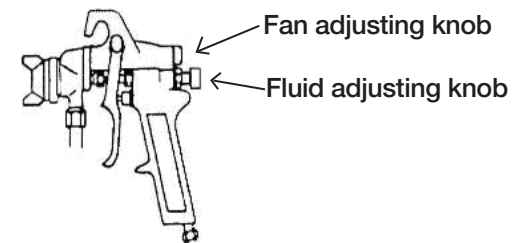
- Connect the air source hose to the gun. Make sure the air pressure does not exceed 50 PSI (3.45 BAR).
- Hold the gun upright to the spraying area and then move it parallel several times.
- The stroke should be started before the trigger is pulled and the trigger should be released before the stroke is ended. This can control the gun and material.
- Keep the appropriate distance of 15 to 30cm between the gun and spraying area, according to the atomisation pressure and work demand.

NOTE: To reduce overspray and obtain maximum efficiency, always spray with the lowest possible atomisation air pressure.



Adjustment:

The desired pattern, volume of fluid output and fine atomisation can easily be obtained by tuning the fan adjusting knob and fluid adjusting knob.



TYPE	ACTION	RESULT
Fan adjusting knob	Turn right.	Pattern is round.
	Turn left.	Pattern is fan.
Fluid adjusting knob	Turn right.	Decrease fluid output.
	Turn left.	Increase fluid output.

MAINTENANCE

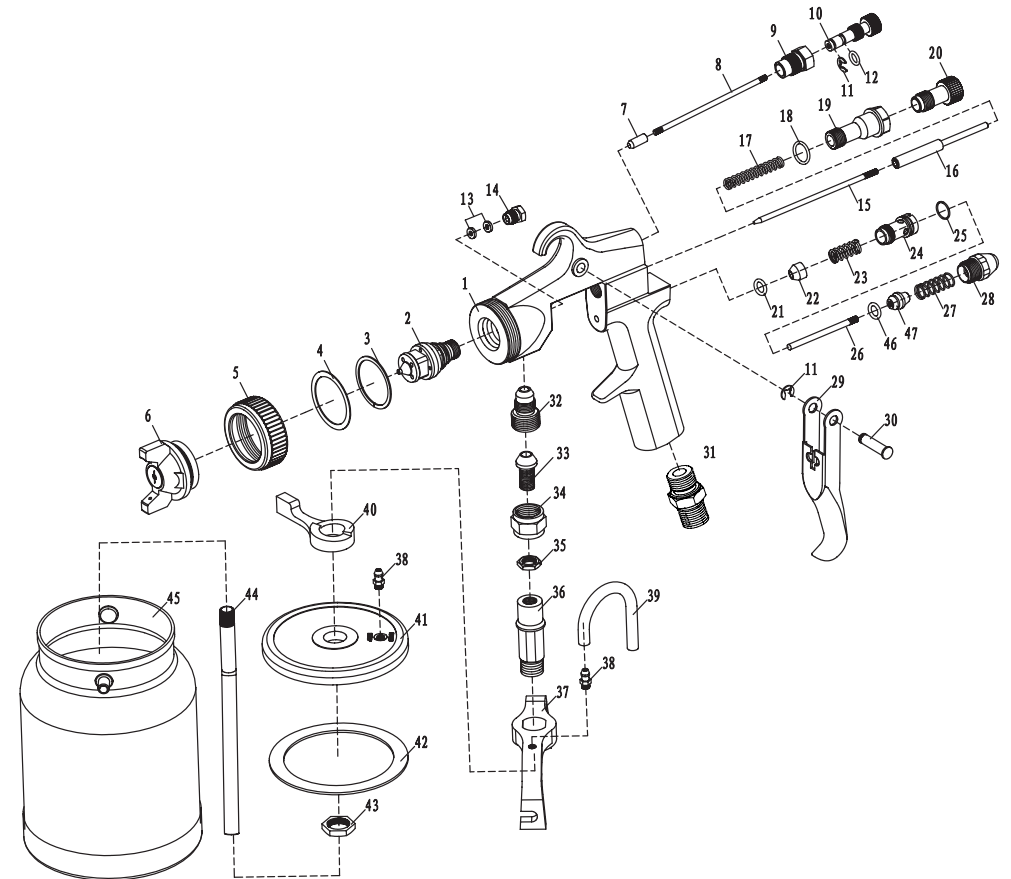
- Pour remaining paint into another container and then clean paint cup and air nozzle.
- Spray a small amount of thinner to clean the passage. Incomplete cleaning will cause an adverse pattern shape. Clean thoroughly, immediately after use.
- Clean other sections with a cloth soaked with thinner.
- Ensure paint passages have been completely cleaned before disassembly.
- Remove fluid nozzle after removing fluid needle set or while keeping fluid needle pulled, in order to protect seat section.

CAUTION: Never use wire or other hard objects to clear the nozzle and clean the fluid needle. This will cause damage to the components. Never immerse the whole gun into solvent such as thinner as it will damage the air nozzle, fluid nozzle and needle.

TROUBLESHOOTING

PROBLEM	CAUSE	SOLUTION
Spray gun spits	Loose fluid nozzle.	Tighten securely.
	Needle adjustment knob loose.	Tighten.
	Loose cup lid.	Tighten.
Spray gun fails to spray	Vent hole on cover or fluid joint clogged.	Dismantle and clean. Thin paint as required.
	Thick paint.	Dilute or use bigger capacity fluid nozzle.
	Nozzle clogged.	Disassemble and clean.
Escape of air when the trigger is released	Air needle not sliding.	Oil slightly.

PARTS LIST



No.	Description	Qty	No.	Description	Qty
1	Gun body	1	25	O ring 9 x 1.5	1
2	Material nozzle	1	26	Air valve stem	1
3	Circlip	1	27	Spring	1
4	Air nozzle gasket	1	28	Spring seat	1
5	Locking knob	1	29	Trigger	1
6	Air nozzle	1	30	Trigger pin	1
7	Pattern adj. Plug	1	31	Air joint	1
8	Pattern adj. Stem	1	32	Material passage Connector	1
9	Pattern adj. Seat	1	33	Connector screw	1
10	Pattern adj. Knob	1	34	Connector nut	1
11	Opening stopper 4	2	35	Hexagon nut	1
12	O ring 4.0 X 1.8	1	36	Connector tube	1
13	Sealing gasket	2	37	Yoke assembly	1
14	Needle sealing screw	1	38	Air screw	2
15	Needle	1	39	Air tube	1
16	Needle seat	1	40	Lever	1
17	Needle spring	1	41	Cup cover	1
18	O ring 11.2 X 1.8	1	42	Sealing gasket	1
19	Needle socket	1	43	Hexagon locking nut	1
20	Needle adj. Knob	1	44	Material tube	1
21	O ring 2.8 X 1.8	1	45	Cup assembly	1
22	Seal gland of needle	1	46	O ring 4.5 X 1.8	1
23	Spring	1	47	Air valve cap	1
24	Air valve body	1			

NOTE:

When spray painting consider the size of the job and the size of your air compressor being used. When spray painting large jobs like a fence or car, a Belt Drive Air compressor is recommended. Always refer to the duty cycle of your air compressor before spray painting.