



ToolPRO

1100W DIGITAL INVERTER

Instruction Manual

PLU 553023



For service, spare parts or product information,
please contact Smart Marketing Group Pty. Ltd.

AUST. 1300 660 457

N.Z. 0800 474 876

SUGGESTED APPLICATIONS

These are some suggestions of appliances which could be powered by this generator. These suggestions cannot be run at the same time, please read page 13 for full details:

- Laptop computers up to 400W
- Televisions up to 150W
- DVD/Video players up to 300W
- TV and DVD/Video player combination up to 400W
- Camping fridges up to 100W
- Lighting up to 950W
- Mobile phone/hand held games charging up to 300W

Never exceed 850W in total when using multiple devices.

CONTENTS

Section	Page
Contents	2
Suggested Applications	2
Introduction	3
Warranty	3-4
General Safety Instructions	5-6
Specific Safety Instructions	7
Electrical Information	8
Fuel & Oil Information	8
Components & Controls	9
Operating Instructions	10-15
Maintenance Chart	16
Maintenance	17-18
Fault Chart	19-20
Service Log	21
Specification	22
Parts Diagram	23

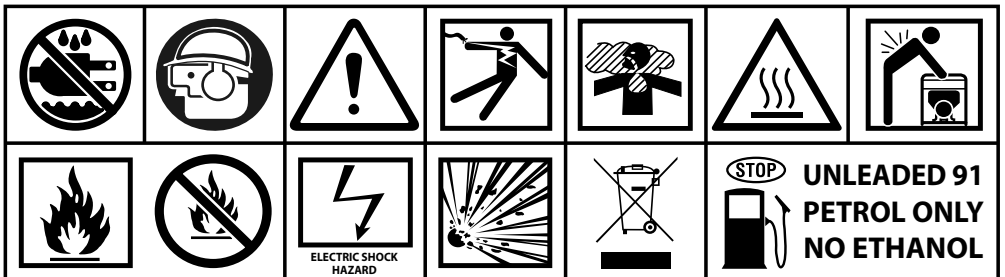
Please take note of serial number and write here for ease of reference:

Serial Number: _____

Date of Purchase: _____

Place of Purchase: _____

Receipt Number: _____



INTRODUCTION

Dear Customer,

Thank you for purchasing this generator which has passed through our extensive quality assurance processes. Every care has been taken to ensure that it reaches you in perfect condition. However, in the unlikely event that you should experience a problem, or if you require any assistance please do not hesitate to contact us;



If you have a problem, call customer service do not return this pressure washer to the place of purchase.

Note: For convenience we suggest taking a photocopy of your purchase receipt as the original may fade.

CUSTOMER SERVICE

Australia: 1300 660 457

New Zealand: 0800 474 876

Operating times: Monday – Friday

8.00am - 5.00 pm

Australian Eastern Standard Time (AEST)

EXPRESS WARRANTY STATEMENT GENERATORS

You are not required to do anything to register your generator purchase. Please attach the purchase receipt to this manual and ensure both are kept safe. We hope you enjoy your new generator, and if you have any problems call customer service on the above phone numbers. Do not return to place of purchase.

Smart Marketing Group Pty Ltd (SMG) warrants that this generator will be free from manufacturing faults or defects for 12 months from the date of purchase, providing original purchase receipt is kept and shown when needed and is subject to the terms and conditions below.

If a warranty fault appears within the warranty period, SMG reserves the right to replace or repair the product. In the event that SMG chooses to replace the product, this original warranty will expire at the original date. If the product includes various accessories or components, only the defective accessory or component will be replaced or repaired.

SMG reserves the right to replace defective parts of the product with parts and components of similar quality, grade and composition where an identical part or component is not available.

Products presented for repair may be replaced by refurbished products of the same type rather than being repaired. Refurbished parts may be used to repair the products.

What is covered

- Manufacturing fault or defect.

How to claim under this warranty

- Call customer service, phone number to the left.
- Ensure you have the following: Original purchase receipt, Model of generator, Serial number of generator.
- Discuss the issue.
- Customer service will advise which authorised service agent to take the generator to provided the issue is a warranty one.
- Take generator to authorised service agent for repair.

What is not covered

- Commercial use of generator.
- Use of Generator for hire.
- Use of generator in a commercial premises.
- Damage caused by incorrect oil.
- Damage caused by incorrect fuel or use of E10 ethanol fuel.
- Damage or deterioration due to transport.
- Damage caused by negligence, misuse, abuse or accident or incorrect voltage and wattage.
- Any corrosion or rusting.
- Damage caused by incorrect set up and start up.
- Replacement parts due to general wear and tear.
- Generators with serial number defacement, modification or removal.
- Generators which have been serviced by anyone other than an authorised SMG service agent.
- Generators with no original purchase receipt.
- Generators which have been on sold, not original purchaser.
- Damage due non-servicing of generator as is required by this manual.
- Blockages / damage caused by dust, dirt, spiders webs or insects.
- Damage caused by the incorrect fitting of accessories.
- Damage caused by overloading, overworking the generator.
- Damage to attached equipment or third party accessories.
- Damage caused by attached equipment or third party accessories.

CONTACT DETAILS

Smart Marketing Group Pty Ltd
33-35 Lionel Road, Mt. Waverley
Victoria 3149, Australia.
Tel (+613) 9543 7266
Fax (+613) 9543 9839
sales@smga.com.au

COMPLETE WARRANTY STATEMENT – GENERATORS

As soon as you have purchased the generator, we recommend that you check to make sure it is intact and that you read the operating instructions carefully before using it. The purchase receipt for this product is to be retained and must be presented if making a claim under the terms of the Smart Marketing Group (SMG) warranty. Bank account statements are not acceptable for proof of purchase.

This warranty does not cover generators intended for hire or use in commercial applications or in commercial premises. The warranty will under no circumstances extend to reimbursement or payment of damages, whether direct, indirect or consequential. The warranty is void if there is evidence the generators has been modified or tampered with in any way or used with unauthorised accessories without our consent.

SMG declines any responsibility or liability whatsoever arising from misuse or abuse, negligent handling of the generators or if the product has not been installed or failure to comply with the relevant safety, operating, setting and maintenance instructions (see further in this manual).

The warranty does not extend to installation or disconnection costs.

Any item sent freight forward/collect for repair will be refused. Warranty repairs are free of charge, provided the appliance is delivered to our service department or authorised service agent. The generator will need to be returned, adequately protected in a box. SMG will not be responsible for any in-transit loss or damage. Assistance under the warranty will only be made available if the request is made to our customer service team on the contact numbers listed below and proof of purchase is provided.

This is a repair only warranty you will need to take the generator to the authorised service agent after contacting our customer service centre.

If the product includes various accessories or components, only the defective accessory or component will be replaced or repaired.

SMG reserves the right to replace defective parts of the product with parts and components of similar quality, grade and composition where an identical part or component is not available.

Products presented for repair may be replaced by refurbished products of the same type rather than being repaired. Refurbished parts may be used to repair the products.

Damage caused by third party accessories is not covered under this warranty. Damage caused to attached equipment or third party accessories will not be covered under this warranty.

Rust and corrosion are not covered under this warranty.

If a warranty fault is found the freight cost will be credited to the owner. If no fault is found the product will be returned and any costs associated with the service will be charged to the owner.

Blockages caused by spider webs, insects, dirt, or accumulated dust and incorrect oil are not covered by warranty. SMG reserves the right to replace or repair the appliance within the warranty period. Parts found to be defective due to a manufacturing default will be replaced free of charge.

In the event of SMG choosing to replace the appliance, the warranty will expire at the original date of purchase. If no warranty fault is found the owner will be advised and the product will be returned and any costs associated with the service will be charged to the owner.

Our goods come with guarantees that cannot be excluded under the Australian Consumer Law. You are entitled to a replacement or refund for a major failure and for compensation for any other reasonably foreseeable loss or damage. You are also entitled to have the goods repaired or replaced if the goods fail to be of acceptable quality and the failure does not amount to a major failure. The benefits of this warranty are in addition to any rights and remedies imposed by Australian State and Federal legislation that cannot be excluded.

In New Zealand, this SMG warranty is in addition to the conditions and guarantees which are mandatory as implied by the New Zealand Consumer Guarantee Act 1993. For service, spare parts or product information please contact customer service:

Australia: 1300 660 457

New Zealand: 0800 474 876

CONTACT DETAILS

Smart Marketing Group Pty Ltd
33-35 Lionel Road, Mt. Waverley
Victoria 3149, Australia.

Tel (+613) 9543 7266

Fax (+613) 9543 9839

service.group@sitro.com.au

LUBRICATION OF ENGINE

Your engine comes with NO oil in the sump. You will need to add engine oil, refer to pages 8 and 10 for complete details and images. Failure to do this may result in damage to the engine, generator and/or injury to the user.

GENERAL SAFETY INSTRUCTIONS

Before attempting to operate this generator the following basic safety precautions should be taken to reduce the risk of fire, electric shock and personal injury. It is important to read the instruction manual and to understand applications, limitations and potential hazards associated with this generator. It is important that you read, understand and follow these instructions very carefully. They are designed for the safety of yourself and others ensuring a long and trouble free service life from your generator. This generator is not intended for use by persons (including children) with reduced physical, sensory or mental capabilities, or lack of experience and knowledge, unless they have been given supervision or instruction concerning the use of the appliance by a person responsible for their safety.

OPERATING ENVIRONMENT

NEVER use your generator indoors. Your generator produces deadly carbon monoxide and this is harmful and can cause death. Only use your generator in well ventilated areas like the outdoors. Do not expose your generator to rain or use in damp or wet locations. Do not expose your generator to direct sunlight. Keep the work area well lit. Do not use your generator in areas where there is a risk of explosion or fire from combustible materials, flammable liquids, paint, varnish, petrol, etc flammable gases and dust of an explosive nature. As a precaution it is recommended that you consult an expert on selecting and using a suitable fire extinguisher and have it available for use in an emergency when operating the generator.

GUARD AGAINST ELECTRIC SHOCK

Never touch the generator with wet or damp hands as electric shock may occur. Always ensure your generator is connected to ground, i.e. Earthed with the supplied earth stake, see page 11.

BEWARE OF CHILDREN & PETS

Children and pets should be kept out of the operating area. Children should not be allowed to touch or operate generators or touch extension cords. All generators should be kept out of reach of children. When NOT in use keep the generator preferably stored or locked in a secure well ventilated cabinet or room with the fuel tank empty.

SELECT A GENERATOR WITH A SUFFICIENT RATING

Select the right generator for the job. Do not use a generator to do a job for which it was not designed. Do not force a small generator to do the job of a heavy duty generator. Any damage caused by overloading will void the warranty. Do not use generators for purposes not intended.

PROTECT POWER LEADS FROM DAMAGE

Always disconnect power cords from a power supply socket by pulling the plug. Never pull on the cord. Keep the power lead away from heat, oil, solvents and sharp edges. If a power lead becomes damaged have it replaced by an authorised service facility.

FUEL - UNLEADED 91 PETROL - NO ETHANOL

Fuel used in this generator is poisonous. Always wear approved breathing protection when decanting fuel. If you get any fuel on your skin or clothes wash the affected area immediately with soap and water and change your clothes. If you get fuel in your eyes wash immediately with clean water and seek medical attention. If any fuel is swallowed DO NOT induce vomiting, seek immediate medical attention.

HOT COMPONENTS

Beware many of the components will get hot during use. Never touch any of the metal pipes, pump or motor as these may burn.

MAINTAIN YOUR GENERATOR WITH CARE

When not using your generator ensure the fuel cock is 'OFF'. Never leave the fuel cock 'ON' as this can damage the carburettor. Follow the instructions for lubricating and changing accessories. Keep handles clean, dry and free from oil and grease. Ensure that ventilation slots are kept clean and free from dust at all times. Blocked ventilation slots can cause overheating and damage to the motor. Ensure that the air and fuel filters are kept clean at all times.

REMOVE ADJUSTING KEYS AND WRENCHES

Form the habit of always checking to see that any adjusting keys or wrenches have been removed from the generator before operating.

FIRE PRECAUTIONS

Always contact your fire authority before using the generator on fire restricted days. It is not recommended to use your generator when a total fire ban is in force. Never refuel your generator while it is still running. Never connect your generator to a commercial or domestic power outlet. As a precaution it is recommended that an expert is consulted on obtaining and using a suitable fire extinguisher.

CLEANING YOUR GENERATOR

Always stop your generator before you commence cleaning. Always ensure that your generator has cooled, about one (1) hour, before cleaning and storing. When cleaning your generator use only a damp soft cloth. NEVER use liquid or solvents of any type. All areas can be wiped down.

EXTENSION CORDS & REELS

Inspect extension cords periodically and replace if damaged. Never use damaged extension cord as these may cause injury. Always unwind any extension cords fully before plugging into mains power supply. Protect your extension cord or reel from sharp objects, excessive heat, damp conditions or wet locations. Always use a '3' core extension cord or reel with this generator. Only extension cords intended for and marked 'outdoor' use, which are no longer than 10m.

GENERATOR 'EARTHING'

Always ensure that this generator is "Earthed" correctly before using. "Earthing" stake and wire has been supplied with this generator ensure it is used to ensure your safety, see page 11.

CHECK DAMAGED PARTS

Before using the generator it should be carefully checked to determine that it will operate properly and perform its intended function.

Check for broken or missing parts and have them replaced or repaired at an authorised service facility. Check any other condition that may affect the operation of the generator. A guard or any other part of the generator that is damaged should be properly repaired or replaced by an authorised service facility unless otherwise indicated in this instruction manual.

Any switch that does not operate correctly must be replaced by an authorised service facility.

DO NOT use the generator if the 'ON / OFF' motor switch does not turn the generator 'ON' and 'OFF'.

PERSONAL SAFETY

Clothing

Do not wear loose clothing, jewellery or anything that could get caught in moving machinery. Gloves may be worn when filling generator with fuel.

Hair

Long hair should be tied back or contained in a protective covering.

Eye Protection

The use of safety goggles is highly recommended (normal glasses are not sufficient for eye protection) when using or refuelling generators. Prescription glasses do not have safety lenses.

Footwear

Where there is the risk of heavy objects or if there is a risk of slipping on wet or slippery floors, suitable non-slip, covered, safety footwear should be worn. Protect your feet from dropping accidents.

Ear Protection

The use of ear protection is highly recommended when using generators. The continual noise may damage your ears.

Respiratory Protection

Always wear approved breathing protection when decanting fuel. ALWAYS use this generator in well ventilated area. Never use indoors.

Warning! Do not breathe in exhaust fumes. Exhaust fumes are poisonous and may cause drowsiness, unconsciousness and even death.

Do Not Over Reach

Do not over reach. Keep a proper footing and maintain your balance at all times. Avoid using abnormal stances and awkward body positions.

Stay Alert

Watch what you are doing, use common sense, and never operate a generator when you are tired, drinking alcohol, taking drugs or if taking medication that causes drowsiness.



WARNING

Do not attempt to modify the generator in any way; this will VOID your warranty.

The use of any attachment or accessory other than those recommended in this instruction manual could result in damage to the generator and could cause injuries to the operator.

This petrol generator complies with Australian / New Zealand and International standards and safety requirements. Repairs should only be carried out by qualified persons using original spare parts. Failure to do so may result in considerable danger to the operator.

SPECIFIC SAFETY INSTRUCTIONS

Warning! Do not use the generator in areas where there is a risk of explosion or fire from combustible materials. The sparks possibly caused when using this generator may ignite combustible materials as well as flammable liquids, paint, varnish, petrol, flammable gases and dust of an explosive nature. As a precaution it is recommended that you consult an expert on a suitable fire extinguisher and its use. Ensure that the work area is kept clear of combustible materials.

Warning! Do not use the generator indoors or in confined spaces where exhaust gases, smoke or fumes could reach dangerous concentrations.

- Never connect this generator to a second generator.
- Never connect this generator to Commercial or Domestic power supply.
- Always use the generator in an open well ventilated area.
- Unit will become hot during use. Please keep generator at least one metre (1m) away from buildings, other equipment, pedestrian areas or flammable materials.
- Never pull the re-coil starter once the generator engine has started. Any damage caused will not be covered by warranty.
- Never start or stop the generator with any appliances attached.
- Ensure the generator has stopped before servicing, or lubricating etc.
- Do not attempt to modify the generator, guards or the supplied accessories in any way.
- Do not touch the exhaust. This can become very hot during operation and can cause serious burns.
- Always check the generator for damaged parts or fuel leaks, ensure these are fixed before using it.
- Never refuel while smoking or in the vicinity of an open flame.
- Always wear safety eye wear, ear and breathing protection when operating or refuelling the generator.
- To avoid a fire if you spill fuel while refuelling, clean up before starting the generator.
- Never operate or store the generator on its side, ALWAYS operate or store in an upright manner on firm, solid ground.
- Your generator is factory set, NEVER attempt to speed it up as this could endanger the user and damage the generator and/or attached appliances.
- Never operate the generator in damp, wet or flooded conditions.
- Before plugging appliances into the generator allow it to run up to full speed.
- If the generator makes an unfamiliar sound or vibrates excessively, switch the generator 'OFF' immediately. Investigate the possible cause or consult your authorised service agent.
- Do not use ANY type of coolant on the generator as a fatal electric shock could occur.
- Never use coolant in the generator as damage may occur.
- Do not touch the generator with wet hands as this may cause electrocution.
- Never use your generator on highly conductive surfaces. e.g. Steel walk ways, metal roof or metal bench, as this could cause an electric shock.
- Always operate your generator at least two (2) metres away from conductive surfaces.
- Locate this generator in a convenient place, avoid using long extension leads.
- If an extension lead is used, avoid leaving it where it may be damaged by pedestrian or vehicular traffic or cause a trip and fall hazard.
- Always observe normal safety precautions with ALL appliances used with this generator.
- Never transport the generator with fuel in the tank. ALWAYS empty the fuel tank.
- All loads must be kept within the ratings stated on the name plate. Overloading the generator will damage the unit or shorten its life. This will not be covered under warranty.
- Do not tamper or alter any parts as this may cause personal injury or damage the generator.
- Always disconnect any loads before starting or stopping the generator.
- When storing the generator always store in a secure well ventilated area.
- Always store in an upright position. NEVER store or lay this generator on its side.



IMPORTANT ELECTRICAL DATA

This generator is fitted with a sealed electrical connection socket that is compatible with the generator. If the electrical connection socket becomes damaged it must be replaced with a complete assembly that is identical to the original, and this must be replaced by an authorised service agent. Never connect to an external power supply. If in doubt always consult a qualified electrician.



FUEL ONLY USE UNLEADED 91 PETROL (ULP-91RON) - NO ETHANOL

Fuel tank capacity – 3.5 litres (3.5 L)

Use of incorrect fuel and/or oil may damage the generator and will not be covered under warranty.

Do not use E10 or any type of ethanol fuel as this will damage the generator and will not be covered under warranty.

Do not use high octane fuels (greater than 91%) as this will damage the generator and will not be covered under warranty.

- Ensure you use clean fresh unleaded 91 petrol (ULP) - no ethanol
- Use a clean approved container to store your unleaded petrol (ULP) in before decanting into the fuel tank.
- If contaminated (dirty) or old (stale) fuel is used any damage caused will not be covered under warranty.



OIL CHECK DAILY - ONLY USE 4-STROKE MOTOR OIL

To operate, this generator requires oil in the sump, not supplied. If the generator does not have the correct level of oil in the sump, it will not run, see note below.

Oil capacity – approximately two hundred and fifty millilitres (0.25 L or 250 ml)

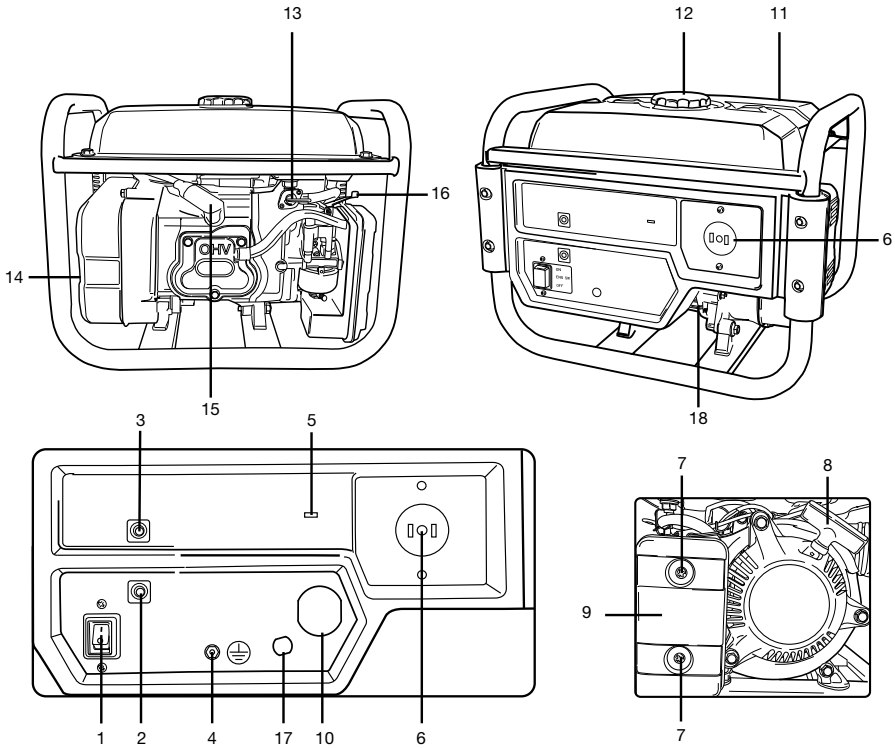
Oil type – SAE 30W or SAE 15W-40 4-stroke motor oil. Non-detergent or 2-stroke engine oils will damage the engine and should not be used.

- Always check oil level before using.
- Always use fresh clean oil.
- Change oil every 50 hours or every 3 months.
- If contaminated (dirty) or old (stale) oil is used any damage caused will not be covered under warranty.

NOTE: This generator is fitted with an oil cut out switch and red warning light. If the oil level is empty or low then the generator WILL NOT start or run and the low oil light will glow when the recoil is pulled.

Always check the oil level before starting the generator.
Never check or add oil while the generator is running.

PIC. 1



COMPONENTS & CONTROLS (PIC.1)

1. Engine switch
2. Low oil alarm indicator (Red)
 - A. It will start flashing when the engine starts with insufficient amount of engine oil.
 - B. It illuminates red indicating oil level below the safe limit before the engine automatically shuts down within 10 seconds.
3. Power indicator light (Green)

Will remain ON during operation. However, when the green light starts flashing:

 - A. Interval Flash 1 time, low-voltage protection, engine speed low.
 - B. Interval Flash 2 times, high temperature protection.
 - C. Interval Flash 3 times, overload protection, too many loads.
 - D. Interval Flash 4 times, short-circuit protection.
4. Earth bolt point for earth lead
5. 5V USB socket
6. AC socket
7. Air filter connection screws
8. Recoil starter grip
9. Air filter cover
10. 12V DC cigarette lighter socket
11. Fuel tank
12. Fuel cap
13. Fuel valve
14. Muffler
15. Spark plug cap
16. Choke lever
17. DC circuit breaker
18. Oil filler cap

The output power will be cut off should the generator is experiencing any of the faults that are mentioned above. Stop the engine to fix the issue before restarting the engine.

OPERATING INSTRUCTIONS

UNPACKING

Carefully unpack your generator. This generator is heavy (12.8kg) and may require two (2) people to lift. Dispose of all packing material in an environmentally responsible manner.

Open carton, gently lift the generator clear of the carton and packaging, this may require 2 people. Remove from plastic bag.

NOTE: Plastic bags can be a danger to young children, dispose of immediately. Always dispose of packaging in a responsible manner.

ASSEMBLY

This generator requires no assembly, however the motor requires oil, SAE 30W or SAE 15W-40, to be added to the sump before you can use, refer to page 8 for specific details.

ADDING LUBRICATING OIL

Always use clean fresh oil as specified on page 8. Incorrect or old oil can cause the generator to run rough and damage the motor; this will not be covered by warranty.

1. Ensure that engine is OFF when filling oil.
2. Use oil as detailed on page 8, SAE 30W or SAE 15W-40 4-stroke motor oil.
3. Ensure generator is level when filling with oil.
DO NOT TIP - USE A FUNNEL (NOT SUPPLIED)
4. Remove oil filler cap, Pic. 2.
5. Only fill oil to the top of the thread, Pic. 3.
6. Ensure that the oil filler cap is screwed on tightly before attempting to start the generator.

WARNING! Over filling the oil can damage the generator, this damage will not be covered under warranty.

NOTE: Check oil daily and especially before use.

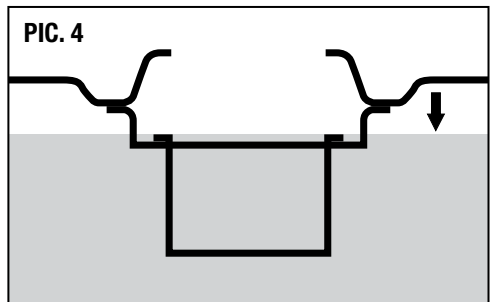
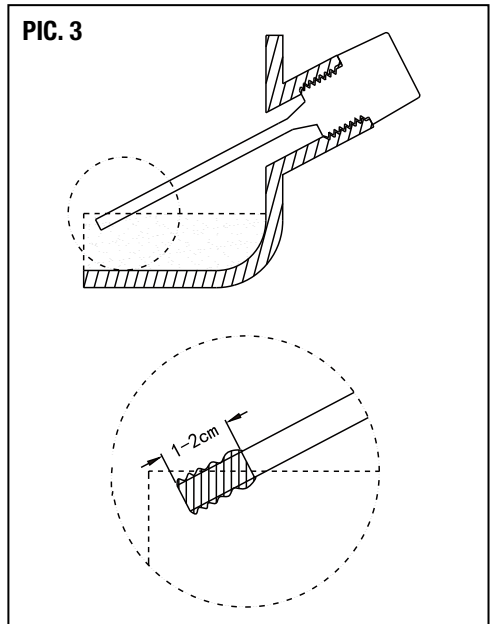
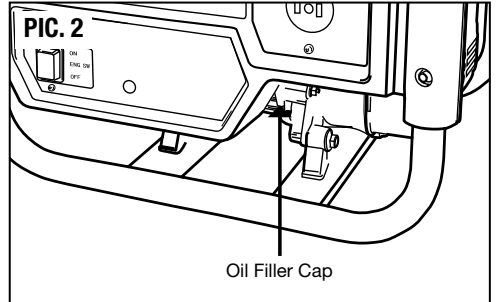
FILLING THE FUEL TANK

UNLEADED 91 PETROL - NO ETHANOL

Always use clean fresh fuel as specified on page 8. Stale fuel can cause the generator to run rough and damage the motor; this will not be covered by warranty.

1. Ensure the engine is OFF.
2. Ensure the fuel/engine switch is OFF.
3. Use fresh fuel as detailed on page 8, unleaded petrol.
4. Do not fill fuel tank above the fuel filter, Pic. 4.
5. Ensure that the fuel tank cap is screwed on tightly.

To drain fuel refer to page 18.



GENERATOR 'EARTHING'

Always ensure that this generator is "Earthed" BEFORE starting and using.

1. Ensure that engine is OFF when fitting the "Earth" stake and wire.
2. Attach the wire to the "Earth" point on the generator, see Pic. 5.
3. Push the attached stake into the ground. Ensure that this is not a trip hazard when near the generator.
4. Ensure the generator is OFF and cool before removing the "Earth" stake and wire.

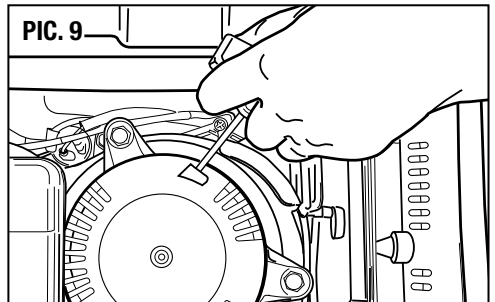
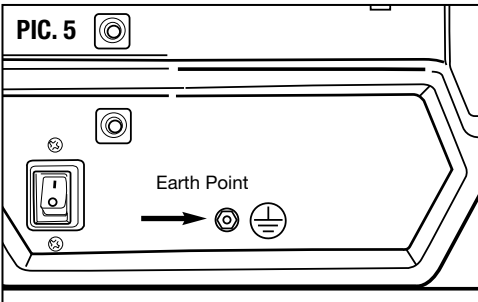
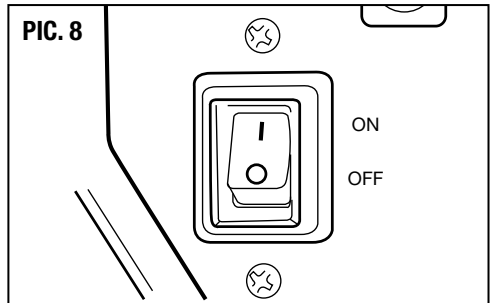
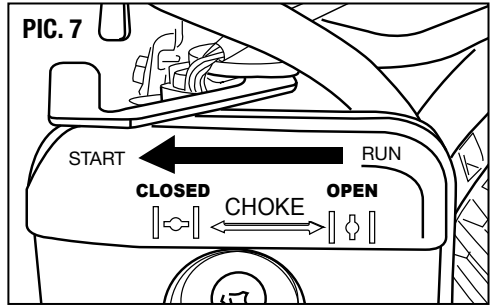
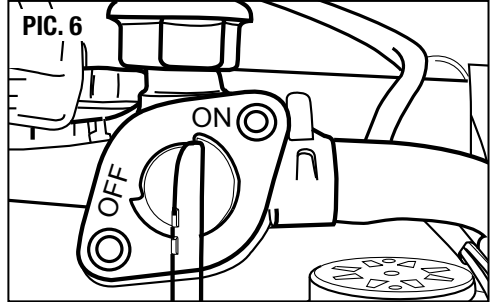
STARTING YOUR GENERATOR

Warning! Never start your generator without "earth" stake attached or with electrical appliances or power leads attached.

1. Ensure the "Earth" stake and wire are attached, Pic. 5.
2. Turn the fuel tap ON, Pic. 6.
3. Turn choke to CLOSED / START by sliding the choke lever to the left, Pic. 7.
4. Turn the engine switch to ON, Pic. 8.
5. Hold down the generator firmly with one hand on the frame, then pull the recoil starter slowly until engaged, then pull briskly, Pic. 9. This step may need to be repeated until generator engine starts, this can take up to about 12 pulls.

Warning! Never pull the recoil once the engine has started. Any damage caused will not be covered under warranty.

6. Allow engine to run up to speed, this usually takes up to about 5-10 seconds.



7. Slowly turn choke to OPEN / RUN by sliding the choke lever to the right, Pic. 10.
8. Check that the only illuminated light is the green output power light. The generator will be running and ready for use.

WARNING! Before connecting any electrical load to the generator ensure that the load does not exceed the maximum load as stated on the rating plate and also check page 13 for extra details.

Ensure that the mains supply lead is long enough to reach the generator without any strain.

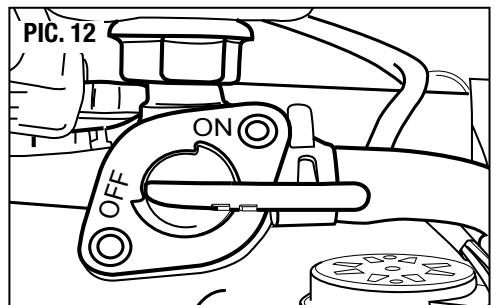
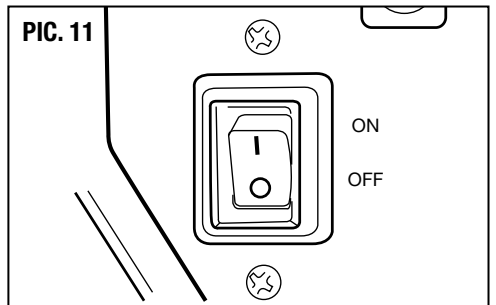
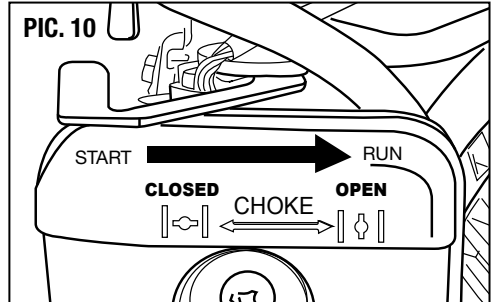
STOPPING YOUR GENERATOR

Warning! Never stop your generator with electrical appliances or power leads attached. Always remove power leads and appliances before stopping your generator.

WARNING! In case of emergency, the easiest way to stop the generator is to directly turn engine switch to OFF position.

Avoid doing so in non-emergency circumstances as it carries the risk of damaging the generator.

1. Ensure all power leads and appliances have been switched off and disconnected from the generator power socket.
2. Allow generator to run for 1-2 minutes, this allows the generator to cool down.
3. Switch engine switch to OFF, Pic. 11.
4. Turn the fuel tap to OFF, Pic. 12.



USING YOUR GENERATOR

AC OUTLET

Your generator is equipped with a 240V AC power socket. This will run a range of devices providing they are within the limits of the generator's output.

NOTE: The peak (surge) power requirements of some devices e.g. Fridges, Televisions, etc; can be up to seven (7) times greater than their rated (continuous) power. Do not overload your generator. The device's wattage can be found on the data label below.

You can use any combination of items provided that you do not exceed the limits of your generator. Never exceed 850W in total when using multiple devices.

NOTE: When using multiple devices only start one device at a time.

Your Generator AC Limits

Rated (continuous) power - 1000W Peak (surge) power - 1100W

Note: Long extension leads may reduce the effectiveness of your generator's supply power.

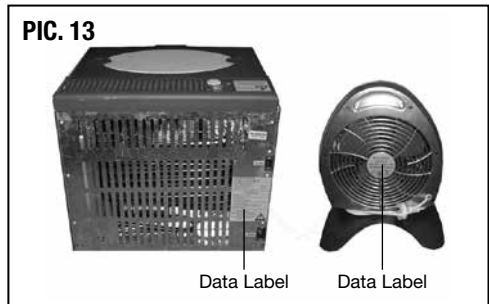
To use the 240V AC outlet

1. Check that the only illuminated light is the green output power. If not, turn to page 16 and fix the problem before using the generator.
2. Lift the flap and plug your appliance into the outlet socket on the face plate.
3. Turn the appliance on and use as per the manufacturer's manual.
4. When finished, turn your appliance off.
5. Disconnect the appliance from the generator and the flap should close automatically.

NEVER leave any appliances plugged into your generator, always disconnect when the appliance is not in use.

Suggested Device	Maximum	Suggested Wattage
Bayonet/Screw in globes (home use)	Up to 950W	Maximum of 19 x 50W globes
Florescent tubes	Up to 600W	Maximum of 30 x 20W globes
Halogen lights	Up to 700W	
Power tools	Up to 700W	
Laptop computer	Up to 400W	
DVD/Video players	Up to 300W	
Portable television	Up to 150W	
Portable television & DVD/Video player combination	Up to 400W	
AC/DC Camping fridge	Up to 100W	
Cooling fans	Up to 300W	
Heating	Up to 600W	
Radio/CD player	Up to 600W	
ipod/MP3 player	Up to 600W	
Mobile phone charging	Up to 300W	
Hand held games charging	Up to 300W	

You can use any combination of items provided that you do not exceed the limits of your generator.
Never exceed 850W in total when using multiple devices.



OUTPUT INDICATOR LIGHT

Output indicator light (green) will remain ON during operation. However, when the green light starts flashing:

1. Interval Flash once, low-voltage protection, engine speed low.
2. Interval Flash twice, high temperature protection.
3. Interval Flash 3 times, overload protection, too high a wattage load, check the appliance(s) wattage before using again.
4. Interval Flash 4 times, short-circuit protection. The output power will be cut off should the generator is experiencing any of the faults that are mentioned above and the light will also go out.

SAFETY DEVICES

AC OUTLET

Your generator is equipped with an output indicator light, see above. When this light is goes out then the generator will produce NO POWER.

To restart the power supply;

1. Remove the appliance.
2. Stop the generator, see page 12.
3. Wait 2 minutes.
4. Start generator, see page 11, ensure the green output indicator light is illuminated.
5. Re - attach the appliance.
6. If the output indicator light goes out and the output power stops then the attached appliance is either faulty or the appliances required power is greater than the generators output, check the appliances wattage requirements.

12V DC OUTLET

Your generator is equipped with a DC output circuit breaker. This circuit breaker will "pop" out if the attached appliance is either faulty or the appliances required power need is greater than the generators DC power output.

To reset the circuit breaker and restart the power supply;

1. Remove the appliance.
2. Stop the generator, see page 12.
3. Wait 2 minutes.

4. Push the circuit breaker back in, it should stay in. If not the circuit breaker is still over heated, allow to cool down for another 2 minutes before trying again to push it in.
5. Start generator.
6. Re - attach the appliance.
7. If the circuit breaker "pop's" out again and the power stops then the attached appliance is either faulty or the appliances required power is greater than the generators output, check the appliances power requirements.

LOW OIL LIGHT

If the oil level in the motor sump drops to a dangerously low level then the generator will automatically stop.

If the oil level in the motor sump is dangerously low, then the generator will not start, however the low oil light will flicker only when the recoil starter is pulled.

If your generator will not start always check the oil level first.

To add oil or check the oil level, refer page 10.

STORAGE

If the generator is not to be used or is to be stored for more than one month the following storage procedure should be carried out. Drain all the fuel from the fuel tank (refer to page 18) and the carburettor (see below), ensure that all the fuel has been drained.

Remove the spark plug and pour approximately one tablespoon full of clean engine oil into the spark plug hole.

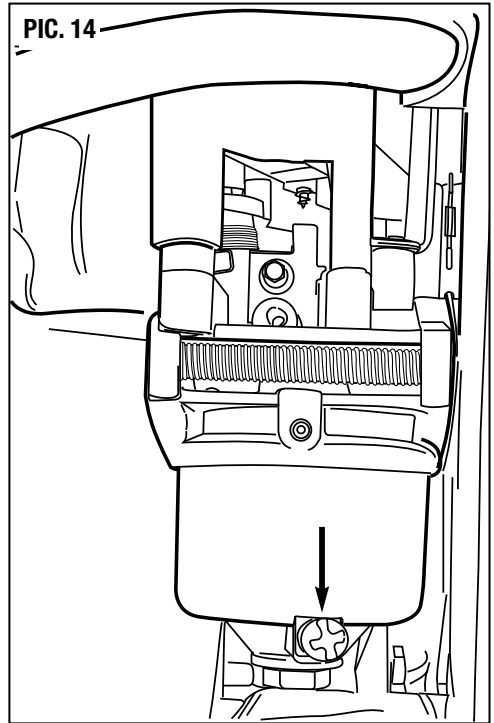
With the ignition turned OFF gently pull on the recoil starter cord several times. Re-fit the spark plug and continue to pull the recoil starter cord until the piston is on the compression stroke (when resistance is felt) then stop pulling.

Store the generator in a dry well ventilated place under a cover to prevent any dust or debris from accumulating on the generator.

DRAINING THE CARBURETOR

1. Turn off fuel valve, make sure fuel is drained and the tank is empty. Residual gasoline left over a long time will cause difficulty when next starting the engine.
2. Position an approved fuel container under the carburetor drain screw to catch fuel; loosen the screw, Pic. 14. Allow fuel to drain completely into container.
3. Retighten drain screw.
4. After draining the fuel tank and carburetor, start the engine and allow it to run until the unit runs out of fuel. Consult hazardous waste management guidelines in your area for the proper way to dispose of fuel.

When preparing the generator for storage, follow the guidelines below.



Storage Time	Prior to Storing
Less than 1 month	No special preparation is required
1 to 2 months	Empty fuel from fuel tank Drain fuel from carburetor
2 months to 1 year	Empty fuel from fuel tank Drain fuel from carburetor Clean fuel sediment cup
1 year or more	Empty fuel from fuel tank Drain fuel from carburetor Clean fuel sediment cup Remove spark plug Put a tablespoon of engine oil into the cylinder through the spark plug hole. Turn the engine slowly with the pull rope to distribute the oil Reinstall spark plug Change engine oil

*Use unleaded fuel stabilisers formulated to extend storage life. For recommendations, contact your nearest authorised service centre.

MAINTENANCE CHART

Item	Remark	Pre-operation check (daily)	Initial 1 month or 20 hours	Every 3 month or 50 hours	Every 6 month or 100 hours	Every 12 month or 300 hours
Spark plug	Check condition Adjust gap and clean Replace if required			●		
Engine oil	Check oil level	●				
	Replace		●		●	
Air filter	Clean Replace if required			●		
Fuel filter	Clean fuel cock filter Replace if required				●	
Valve clearance	Check and adjust when engine is cold					●
Fuel line	Check fuel hose for cracks or damage Replace if required	●				
Exhaust system	Check for leakage Tighten or replace gasket if required	●				
	Check exhaust screen Clean and replace if required				●	
Carburetor	Check choke operation	●				
Fittings/ Fastenings	Check all fittings and fixtures and tighten if required				●	

SERVICE

Now that you have purchased your tool, should a need ever exist of repair or service, simply contact your nearest Authorised Service Centre or other qualified service organisation. Be sure to provide all pertinent facts when you call or visit.

Call Smart Marketing Group for your closest centre

Aust. 1300 660 457 N.Z. 0800 474 876.

MAINTENANCE

CHECKING/CLEANING THE AIR FILTER

For proper performance and long life, keep air filters clean.

1. Using a screwdriver unscrew the two air filter connection screws located at the top and bottom of the air filter cover. Remove the cover and set aside (Pic. 15).
2. Remove the filter elements (Pic. 16).
3. If the filter elements are dirty, clean with warm, soapy water. Rinse and let dry.
4. Apply a light coat of engine oil to the elements, then squeeze it out.
5. Replace the elements in the air filter unit.
6. Replace the air filter cover and tighten the two air filter connection screws.

NOTE: Do not run the generator without the air filter. Rapid engine wear will result.

SPARK PLUG MAINTENANCE

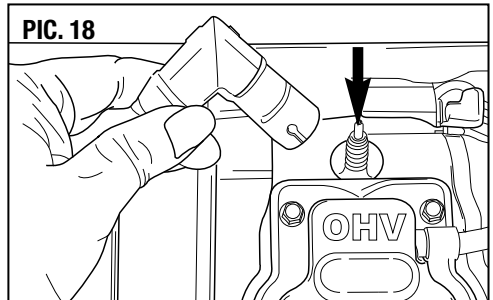
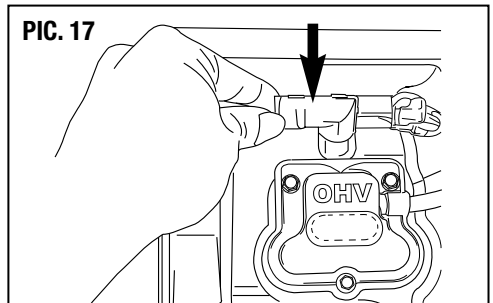
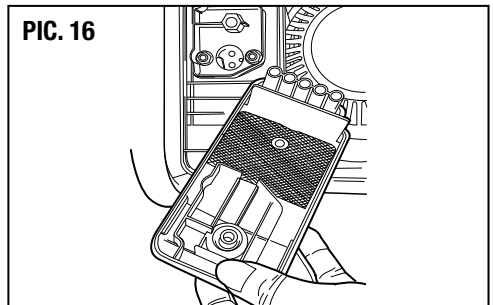
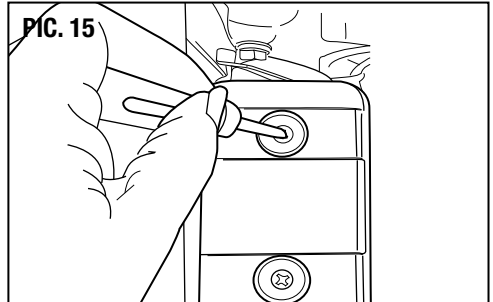
The spark plug must be properly gapped and free of deposits in order to ensure proper engine operation.

To check:

1. Remove the spark plug cap (Pic. 17).
2. Clean any dirt from around base of spark plug.
3. Remove spark plug using wrench provided (Pic. 18).
4. Inspect spark plug for damage, and clean with a wire brush before reinstalling. If insulator is cracked or chipped, spark plug should be replaced. Make sure electrode gap is 0.60mm-0.80mm.

NOTE: If replacing, use the following recommended spark plug: A7RTC.

5. Screw spark plug back by hand, avoid damaging threads of the cylinder.
6. Put the spark plug back in position and use the spark plug wrench to tighten it. If spark plug is new, use 1/2 turn to compress washer appropriate amount. If reusing old spark plug, use 1/8 to 1/4 turn for proper washer compression.
7. Replace spark plug cap.



CLEANING THE FUEL VALVE FILTER

The fuel valve filter prevents dirt and water that may have gotten into the fuel tank from entering the carburetor. If the engine has not been run for a long time, the fuel valve filter should be cleaned before use.

1. Turn the fuel valve to the OFF position.
2. Unscrew the 4 bolts on fuel tank, use pliers to loosen the tubing clamp and unplug it. (Pic. 19 & 20).
3. Remove fuel valve from fuel tank.
4. Remove filter from fuel valve (Pic. 21).
5. Clean the filter.
6. Check the washer, replace if broken.
7. Assemble everything back together after inspection and return the fuel valve to ON position and check for leaks.

CLEANING THE EXHAUST PORT & MUFFLER

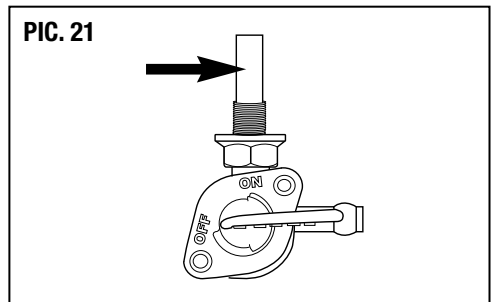
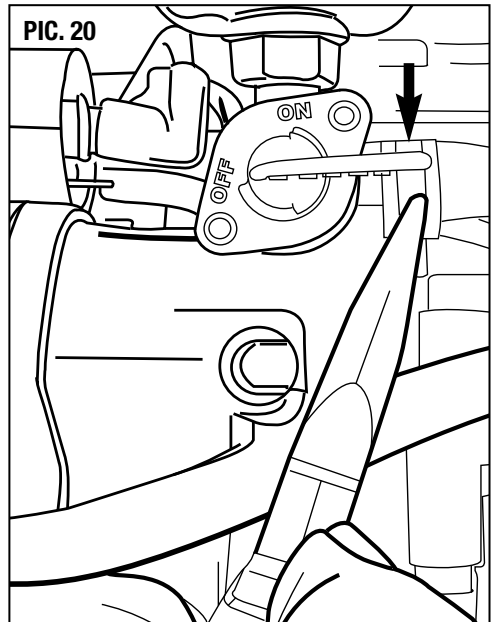
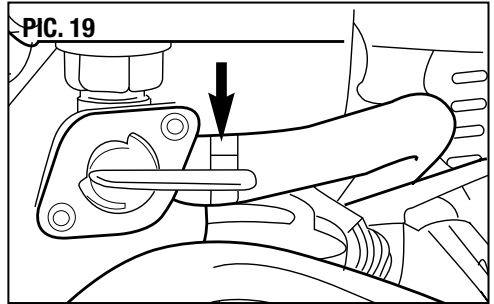
Depending on the type of fuel used, the type and amount of oil used, and/or your operating conditions, the exhaust port and muffler may become blocked with carbon deposits. If you notice a power loss with your petrol-powered tool, you may need to remove these deposits to restore performance. We highly recommend that only qualified service technicians perform this service.

CLEANING THE FUEL TANK FILTER

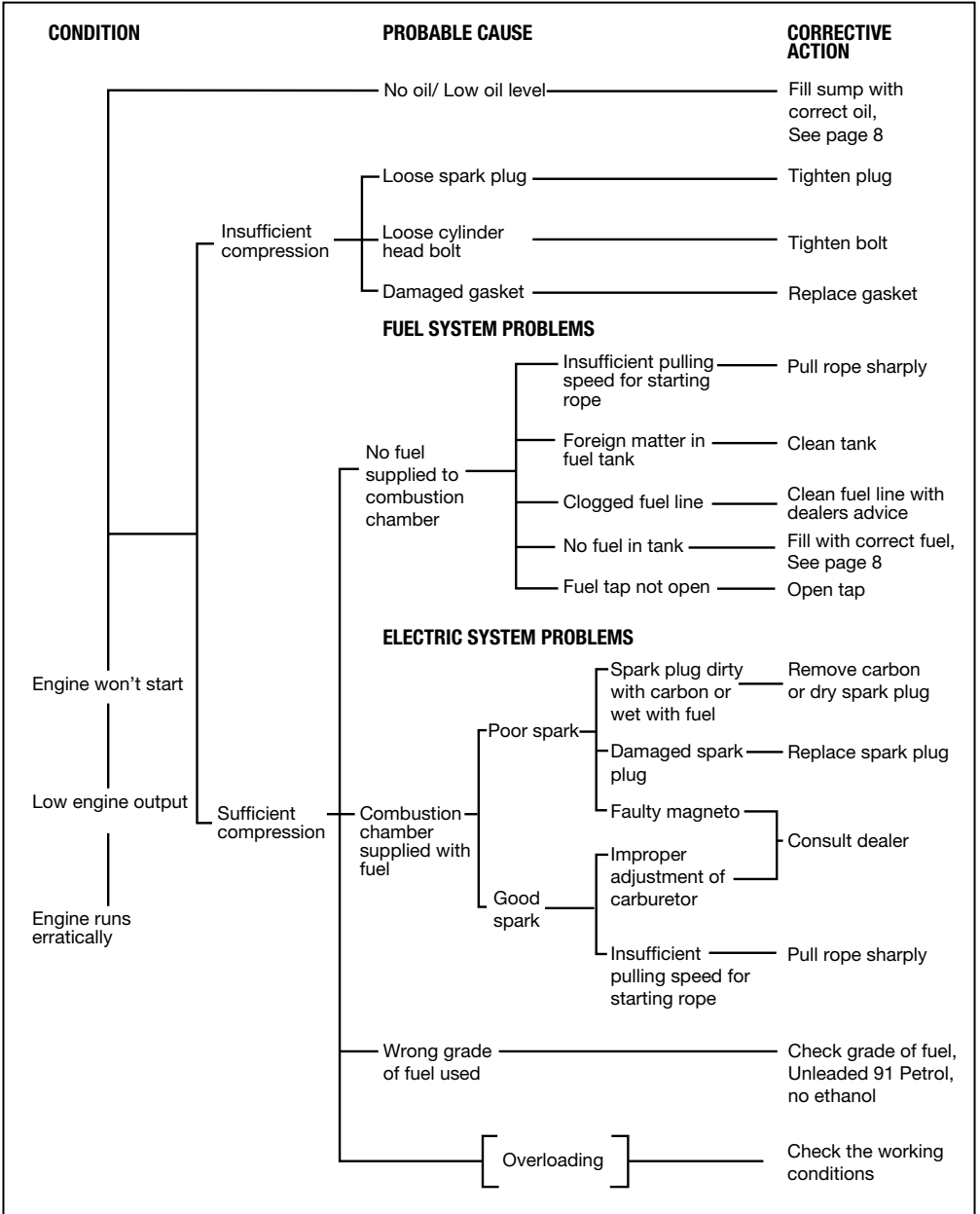
1. Remove fuel cap and filter.
2. Clean the filter, replace if broken.
3. Dry the filter and install back on the generator.

DRAINING THE FUEL TANK

1. Turn the engine switch OFF (O).
2. Close fuel valve.
3. Remove the fuel line from the barb by using pliers to loosen the tubing clamp and sliding the fuel line off (Pic. 19 & 20).
4. Install one end of a drain line over the barb, and place the other end in a fuel container large enough to catch the fuel being drained from the tank.
5. Open fuel valve.
6. When the fuel has drained from the tank, close the fuel valve and reinstall fuel line on barb.



FAULT CHART



FAULT CHART CONTINUED

CONDITION	PROBABLE CAUSE	CORRECTIVE ACTION
Indicator light ON. No AC output	Tripped circuit breaker	Reset
	Poor connection or faulty lead	Check and repair
	Broken recepticle	Check and repair
	Faulty circuit breaker	
Indicator light OFF. No AC output	Generator problem	
Output power too high or low	Engine RPM set too high or low	No load speed set to 3000rpm
	Loose component	Locate and tighten
	Internal generator problem	Consult dealer

REPAIRS

Repairs to your generator should only be carried out by an authorised service agent.

Call Smart Marketing Group for your closest centre

Aust. 1300 660 457 N.Z. 0800 474 876.

SERVICE LOG

This service is to be completed within 50 hours or 3 months of purchase, which ever comes first.	
Replace	Check & Adjust
Engine oil	Exhaust System
Air filter	Carburetor
Fuel line filter	Starting system
	Spark plug
Authorised Service Agent (Name or Company Stamp)	
Technician	
Date	

This service is to be completed within 100 hours or 6 months of purchase, which ever comes first.	
Replace	Check & Adjust
Engine oil	Exhaust System
Spark plug	Carburetor
Air filter	Starting system
Fuel cock filter	Recoil starter
Fuel line filter	Fitting & fastenings
Authorised Service Agent (Name or Company Stamp)	
Technician	
Date	

This service is to be completed within 200 hours or 9 months of purchase, which ever comes first.	
Replace	Check & Adjust
Engine oil	Exhaust System
Air filter	Carburetor
Fuel line filter	Starting system
	Spark plug
Authorised Service Agent (Name or Company Stamp)	
Technician	
Date	

This service is to be completed within 300 hours or 12 months of purchase, which ever comes first.	
Replace	Check & Adjust
Engine oil	Exhaust System
Spark plug	Carburetor
Air filter	Starting system
Fuel cock filter	Valve clearance
Fuel line filter	Cooling system
	Recoil starter
	Fittings & fastenings
Authorised Service Agent (Name or Company Stamp)	
Technician	
Date	

SPECIFICATIONS

Inverter generator.....	TP1100DGOF
Engine type.....	Single cylinder, 4 stroke 53.5cc
Engine speed.....	3800-5200 r/min
Oil tank capacity.....	250 mL
Oil type.....	4 stroke motor oil, SAE 30W or SAE 15W-40
Fuel tank capacity.....	3.5L
Fuel type.....	Unleaded 91 Petrol - no ethanol
Spark plug.....	A7RTC
Rated voltage.....	240V AC-50Hz
Rated output.....	1000W
Maximum output.....	1100W
Rated current.....	4.15A
Power factor.....	1.0
12V DC output.....	5A
USB output.....	5V, Max. 2.1A
Maximum temperature/altitude.....	40°C/1000m
Spark arrestor.....	Yes
Inverter.....	Yes
Noise.....	65db(A) at 7m
Nett weight.....	12.8 kg



ToolPRO

1100W DIGITAL INVERTER



Recoil starter

3.5 L Fuel tank



Twin
USB outlet



240V AC~50Hz
Outlet socket



Output
LED Light

12V DC Cigarette
lighter socket



Generator
ON/OFF switch

Manufactured and packaged for SRGS PTY LTD ABN 23 113 230 050

751 Gympie Road, Lawnton, Queensland 4501, Australia