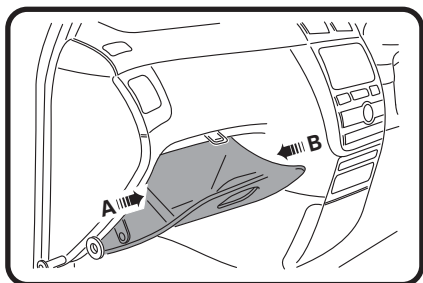
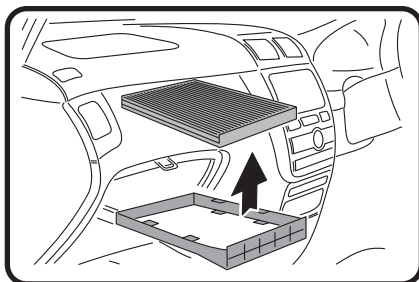


FITTING INSTRUCTIONS FOR RYCO CABIN FILTER RCA104MS

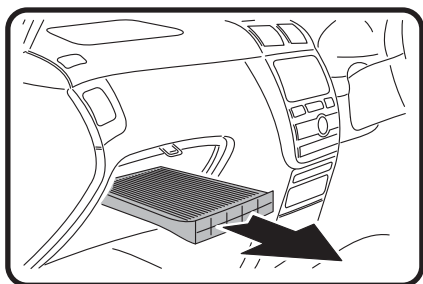
TOYOTA AVENSIS VERSO (Filter located in glove compartment)



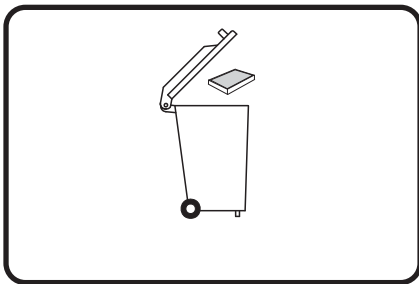
- 1: Push sides of glove box (A & B) to release catches, roll glove box down, unclip hinges to remove glove box.**



- 3: Remove used filter from tray. Fit new Ryco filter. Refit all previously removed components.**



- 2: Slide filter tray out from glove box compartment.**



- 4: Clean filter housing, dispose of used filter correctly.**

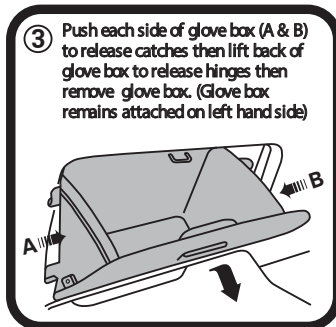
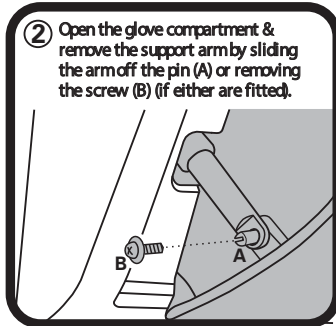
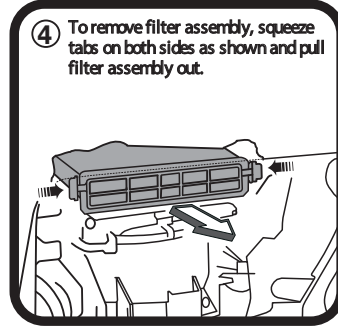
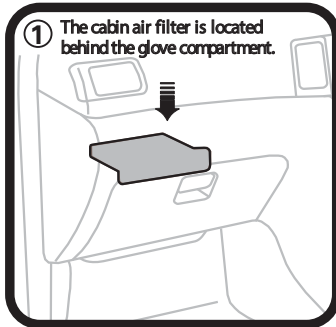
RYCO FILTERS



FITTING INSTRUCTIONS FOR RYCO CABIN FILTER RCA104MS

TOYOTA CELICA

(Filter is located behind glove box)



GUD Automotive Pty Ltd
29 Taras Ave Altona North
Victoria 3025 Australia.
www.rycofilters.com.au

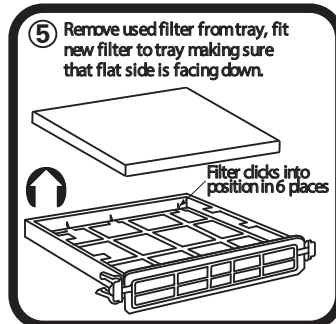
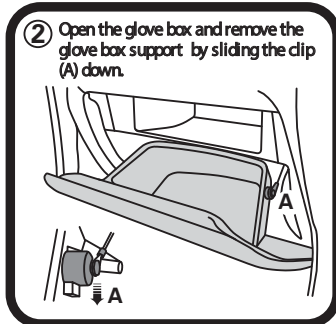
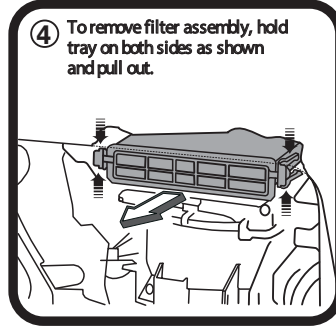
GUD Automotive -
A division of GUD (NZ) Holdings Limited
626A Rosebank Road Avondale
Auckland, New Zealand
www.ryco.co.nz

RYCO FILTERS



FITTING INSTRUCTIONS FOR RYCO CABIN FILTER RCA104MS

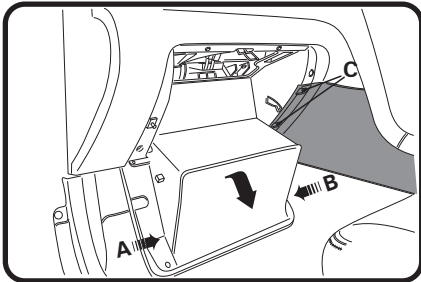
TOYOTA LANDCRUISER PRADO (Filter is located behind glove box)



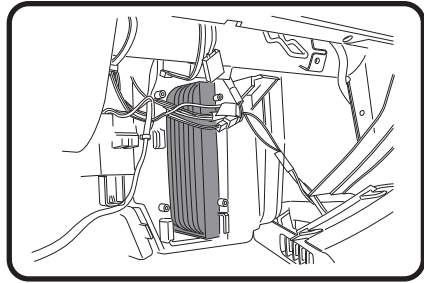
GUD Automotive Pty Ltd
29 Taras Ave Altona North
Victoria 3025 Australia.
www.rycofilters.com.au

GUD Automotive -
A division of GUD (NZ) Holdings Limited
626A Rosebank Road Avondale
Auckland, New Zealand
www.ryco.co.nz

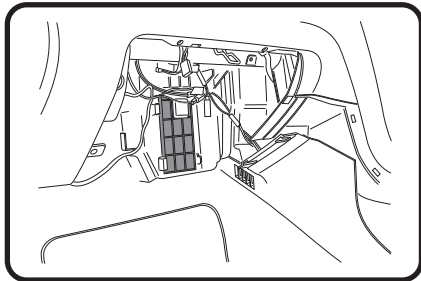
FITTING INSTRUCTIONS FOR RYCO CABIN FILTER RCA104MS SUBARU OUTBACK (Filter located behind the glovebox)



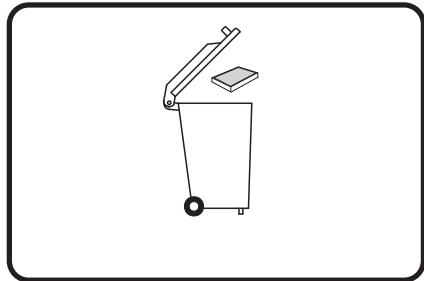
1: Open glove box, push each side of glove box (A & B) to release catches, glove box can then be rolled down to 180° position. Unclip trim panel (push / pull clips) (C) to reveal hidden screw.



3: Hold wires away from front of housing, Pull used filter out from housing and replace with new Ryco RCA104P filter and re-assemble all previously removed components.



2: Remove 5 screws & 2 hex head bolts from around glove box frame, gently pull glove box out until plug for glove box light is visible and disconnect, Remove glove box to expose cover for cabin filter. Remove cover to gain access to filter by pulling out.



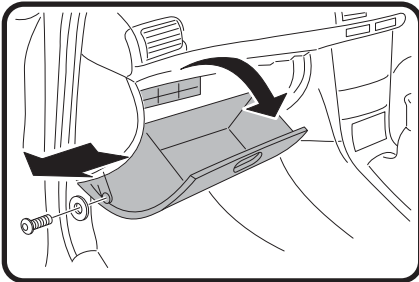
4: Dispose of used filter correctly.

RYCO FILTERS

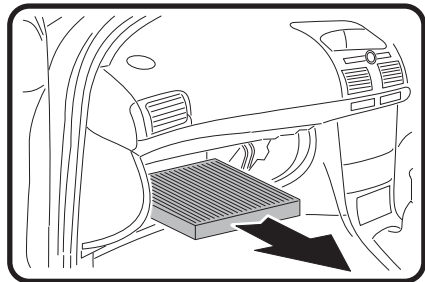


FITTING INSTRUCTIONS FOR RYCO CABIN FILTER RCA104MS

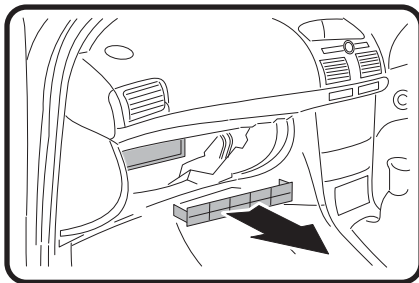
TOYOTA AVENSIS (Filter located behind glovebox)



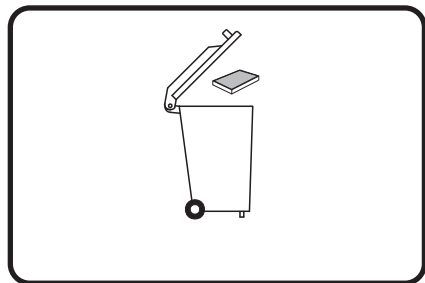
1: Open glovebox, remove screw and washer, then remove the glovebox.



3: Remove used filter.



2: Remove filter cover.



4: Fit new RycO filter, refit all previously removed parts, dispose of used filter correctly.

GUD Automotive Pty Ltd
29 Taras Ave Altona North
Victoria 3025 Australia.
www.rycofilters.com.au

GUD Automotive -
A division of GUD (NZ) Holdings Limited
626A Rosebank Road Avondale
Auckland, New Zealand
www.ryco.co.nz