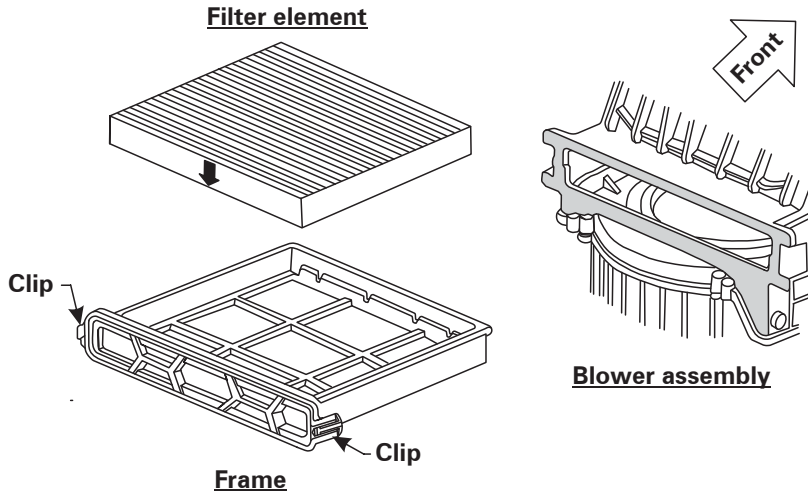


# RYCO FILTERS



## FITTING INSTRUCTIONS FOR RYCO CABIN FILTER RCA108MS

### Honda Accord / Euro



#### 1. For 2008 - 2012 Honda Accord:

- Release glove box by pressing supporting struts downwards on both sides.
- Remove filter frame from blower assembly by unclipping on side of frame.
- Discard old filter and fit new one into frame, note direction of flow.
- Replace filter assembly into blower assembly and replace glove box.

#### 2. For 2013+ Honda Accord:

- Release glove box by pressing supporting struts downwards on both sides.
- Unclip the housing lid and remove the filter ONLY, note direction of flow.
- Fit new filter into housing, secure the lid and replace the glove box.

#### 3. For 2008+ Honda Accord Euro:

- Remove the "L"-shaped plastic tray behind glove box and unclip housing lid.
- Unclip and remove filter frame behind housing lid.
- Fit new filter into housing, note direction of flow and and refit components in reverse order.

GUD Automotive Pty Ltd  
29 Taras Ave Altona North  
Victoria 3025 Australia.  
[www.rycofilters.com.au](http://www.rycofilters.com.au)

GUD Automotive -  
A division of GUD (NZ) Holdings Limited  
626A Rosebank Road Avondale  
Auckland, New Zealand  
[www.ryco.co.nz](http://www.ryco.co.nz)