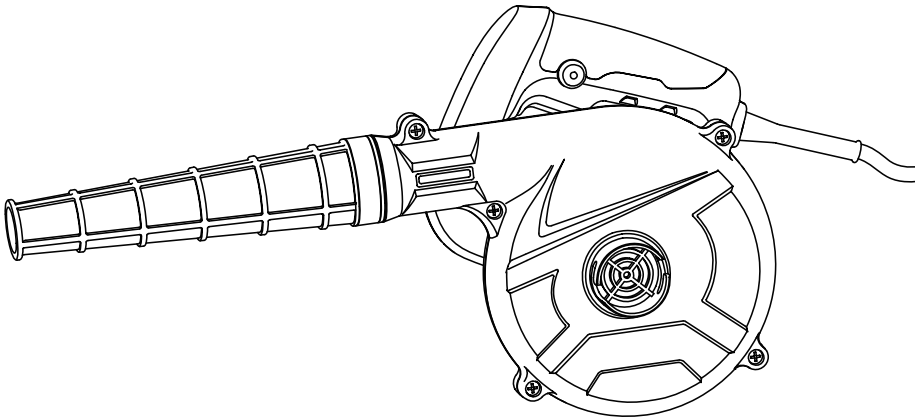


# ROCKWELL SHOPSERIES 600W Blower

Instruction Manual

RS8043



**ROCKWELL®**  
**ShopSeries™**

## After Sales Support

FREE CALL 1300 889 028  
EMAIL: [salesau@positcg.com](mailto:salesau@positcg.com)

**Important** - Please read these instructions fully before operating or maintaining your Blower

These instructions contain important information that will help you get the best from your Blower, ensuring it remains safe to operate.

If you need help or have damaged or missing parts, call the Customer Helpline on 1300 889 028

# Contents

<b>Safety Information</b> .....	<b>3</b>
<b>In The Box</b> .....	<b>6</b>
<b>Assembly</b> .....	<b>7</b>
<b>Operation</b> .....	<b>7</b>
<b>Maintenance</b> .....	<b>9</b>
<b>Troubleshooting</b> .....	<b>9</b>
<b>Technical Data</b> .....	<b>10</b>

# Safety Information

**Important** - Please read these instructions fully before starting assembly

## Warning Symbols



WARNING: Read the operator's manual.



Keep bystanders away.



Warning of hazard



SWITCH OFF: Remove plug from mains before cleaning or maintenance.



Do not use in the rain or leave outdoors while it is raining.



Wear eye protection



Double insulation



RCM approval mark

ABN: Australian Business Number. By this number, business information such as entity type, status, business location etc. can be found at website <http://abr.business.gov.au>.  
ABN of Positec Australia Pty Limited is 14 101 682 357

# Safety Information

**Important** - Please read these instructions fully before starting assembly

## General Power Tool Safety Warnings



**WARNING!** Read all safety warnings and all instructions. Failure to follow the warnings and instructions may result in electric shock, fire and/or serious injury.

### Save all warnings and instructions for future reference.

- This appliance is not intended for use by persons (including children) with reduced physical, sensory or mental capabilities, or lack of experience and knowledge, unless they have been given supervision or instruction concerning use of the appliance by a person responsible for their safety.
- Children should be supervised to ensure that they do not play with the appliance.
- If the supply cord is damaged, it must be replaced by the manufacturer, its service agent or similarly qualified persons in order to avoid a hazard.

The device is designed only for the blowing of dry leaves in private households and as a hobby device in the garden. Any other utilization, which is not explicitly approved in these directions, can lead to damage to the device and represent a serious danger to the user.

- The device is designed for use by adults. Young people over 16 years may use the device under supervision only.
- The use of the device in the rain or in a humid environment is forbidden.
- The manufacturer is not liable for damage which is caused through inappropriate use or incorrect operation.

**NOTE:** Do not employ and low power machines for heavy work. DO NOT use your device for purposes for which it has not been designed.



**WARNING!** To reduce the risk of injury, user must read and understand instruction manual.

### 1) Training

- a) Read the instructions carefully. Be familiar with the controls and the proper use of the appliance;
- b) Never allow children to use the appliance.
- c) Never allow people unfamiliar with these instructions to use the appliance. Local regulations may restrict the age of the operator;
- d) Never operate the appliance while people, especially children, or pets are nearby;
- e) The operator or user is responsible for accidents or hazards occurring to other people or their property.

### 2) Preparation

- a) While operating the appliance, always wear substantial footwear and long trousers. Do not operate the equipment when barefoot or wearing open sandals;
- b) Do not wear loose clothing or jewellery that can be drawn into the air inlet. Keep long hair away from the air inlets.
- c) Wear protective goggles while operating
- d) To prevent dust irritation the wearing of a face mask is recommended
- e) Before using, check the supply and extension cord for signs of damage and aging. Do not use the appliance if the cord is damaged or worn.
- f) Never operate the appliance with defective guards or shields, or without safety devices

# Safety Information

**Important** - Please read these instructions fully before starting assembly

## **General Power Tool Safety Warnings**

- g) Only use a weather proof extension cable fitted with a coupler according to IEC 60320-2-3.
- h) It is recommended that the appliance should be supplied via a residual current device (RCD) with a tripping current of not more than 30 mA.
- i) If an extension cord is used make sure it is for outdoor use and marked as such. The recommended size of extension cord is not lighter than 0.75mm<sup>2</sup>.

### **3) Operation**

- a) Always direct the cord to the rear away from the appliance.
- b) If the cord becomes damaged during use, disconnect the supply cord from the mains immediately. **DO NOT TOUCH THE CORD BEFORE DISCONNECTING THE SUPPLY.**
- c) Do not carry the appliance by the cord.
- d) Disconnect the appliance from the mains supply
  - whenever you leave the machine;
  - before clearing a blockage;
  - before checking, cleaning or working on the appliance;
  - if the appliance starts to vibrate abnormally.
- e) Operate the appliance only in daylight or in good artificial light.
- f) Do not overreach and keep your balance at all times.
- g) Always be sure of your footing on slopes.
- h) walk, never run;
- i) Keep all cooling air inlets clear of debris.
- j) Never blow debris in the direction of bystanders.
- h) Do not put hands or feet near or under rotating parts.

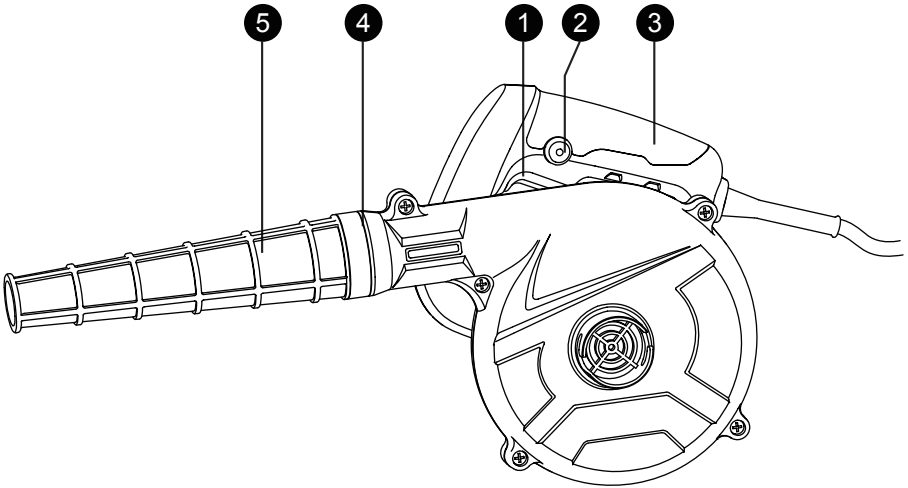
### **4) Maintenance and storage**

- a) keep all nuts, bolts and screws tight to be sure the appliance is in safe working condition;
- b) Replace worn or damaged parts.
- c) Use only genuine replacement parts and accessories.
- d) Store the appliance only in a dry place.

# In The Box

## Parts

- ① On/off switch
- ② Lock-on Button
- ③ Handle
- ④ Blower Port
- ⑤ Blower tube

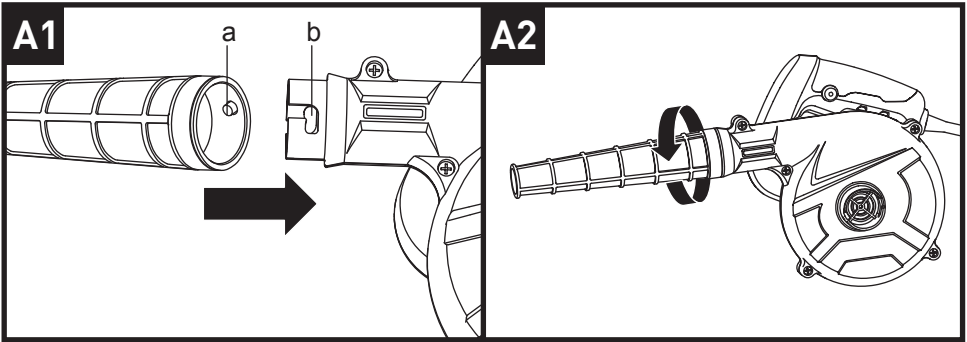


# Assembly

## Assembling the blower tube (See Fig A1,A2)

1. Align the tab (a) on the Blower Tube(5) with the indentation(b) on the Blower Port (4) and attach the Blower Tube on Blower Port.
2. Then slightly rotate the tube until it locks into position as shown in Fig.A2. Make sure the blower tube is firmly assembled.

**⚠ WARNING!** Do not attempt to operate or disassemble the safety switch by any means other than the normal assembly.



# Operation

## Use of extension cord

**⚠ WARNING!** A damaged extension cord can cause electric shock or a fire. Please inspect the extension cord periodically. The tool must not be used if the cord is damaged in any way. Replace a damaged extension cord before use.

1. Use a Heavy Duty extension cord, suitable for outdoor use and so marked. An ordinary duty extension cord will cause loss of power and may overheat.
2. Keep the extension cord behind you, away from the area of operation.

## 1. SWITCHING ON AND OFF (SEE FIG B)

- 1) Press the On/off Switch (1) to switch on. Release the On/off Switch to switch off.
- 2) When Lock-on Button(2) is pressed after the tool is switched on, the tool can continually work and the tool can be stopped if press the On/off Switch.

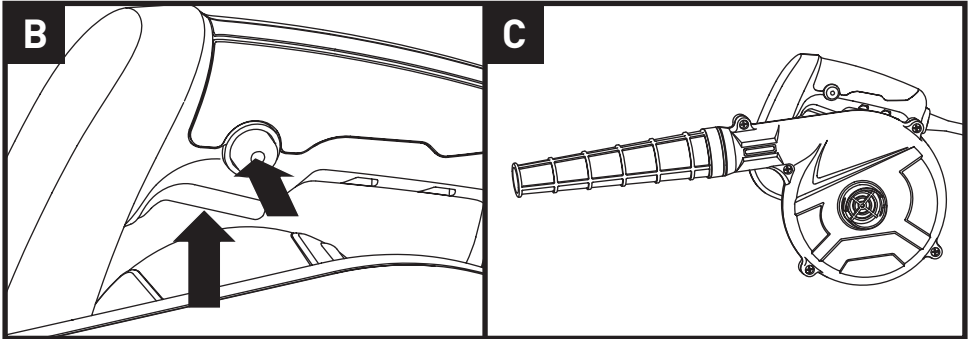
**⚠ WARNING!**The tool runs for approximately 5 seconds after it has been switched off. Let the motor come to a complete standstill before setting the tool down.

# Operation

## 2. BLOWING (SEE FIG C)

When use for blowing, attach the Blower Tube 5) to the Blower Port(4).

**⚠ WARNING!** Flying debris can cause serious personal injury to the operator, bystanders or pets. Keep bystanders and pets at least 5m away from the area of work and always wear suitable eye and ear protection, long pants and sturdy shoes or boots whilst operating the tool.



## 3. TO REPLACE THE BRUSHES (SEE FIG. D1, D2, D3)

**Warning :** Before any work on this machine occurs, ensure the mains plug is disconnected from the wall socket.

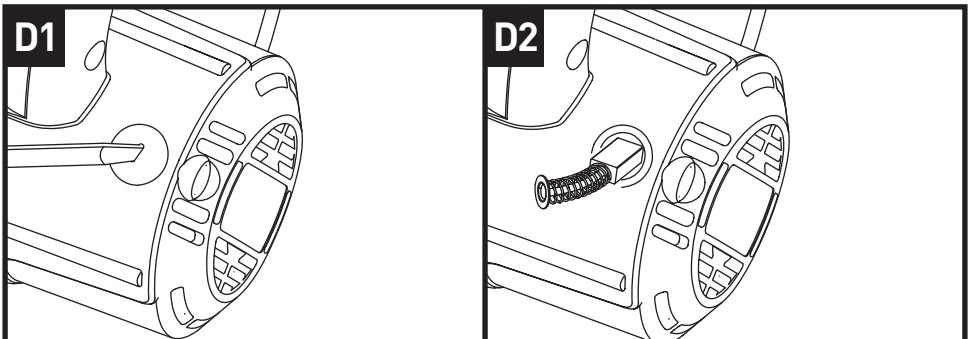
Unscrew the carbon brush cap with screwdriver.

Remove the carbon brush. Check the length of the brush and replace if under 6mm. When brushes need replacement always renew both brushes, even if one is still more than 6mm long.

**NOTE:** please call helpline to purchase new brushes.

Carbon brushes are a wearing component of the angle grinder and are therefore not covered under warranty.

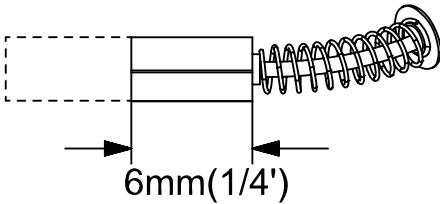
Continuing to use the tool when carbon brushes need to be replaced may cause permanent damage to the tool.





# Operation

D3



# Maintenance

1. Store the tool, instruction manual and accessories in a secure, dry place. In this way you will always have the information ready to hand.
2. Keep the tool's air vents unclogged and clean at all times.
3. Remove dust and dirt regularly. Cleaning is best done with a rag or brush.
4. Never use caustic agents to clean plastic parts.

**CAUTION:** Do not use cleaning agents to clean the plastic parts of the tool. A mild detergent on a damp cloth is recommended. Water must never come into contact with the tool.

# Troubleshooting

Problem	Possible cause	Fault correction
Device does not start	Mains voltage is not present	Check plug socket, cable, line, plug and fuse, where appropriate, repair through electrical specialist
	Defective on/off switch	Repair through customer service
	Worn carbon brushes	
Defective motor		
Device works with interruptions	Damaged power cable	Check cable, replace it
	Internal loose connection	Repair through customer service
	Defective on/off switch	

# Technical Data

## Technical Data Table

Rated input voltage	220-240V~50Hz
Input power	600W
No load speed	16000/min
Air speed	3.5m <sup>3</sup> /min
Double insulation	<input type="checkbox"/> /II
Weight	1.36 kg

Staple your purchase receipt here  
Before returning this product for  
warranty or any other reason, please call.

**POSITEC AUSTRALIA PTY LIMITED**

**ABN 14 101 682 357**

**Unit 15, 23 Narabang Way Belrose 2085 NSW Australia**

**FREE CALL 1300 889 028**

**EMAIL:salesau@positecgroup.com**



