



GRV43MDT Instruction Manual

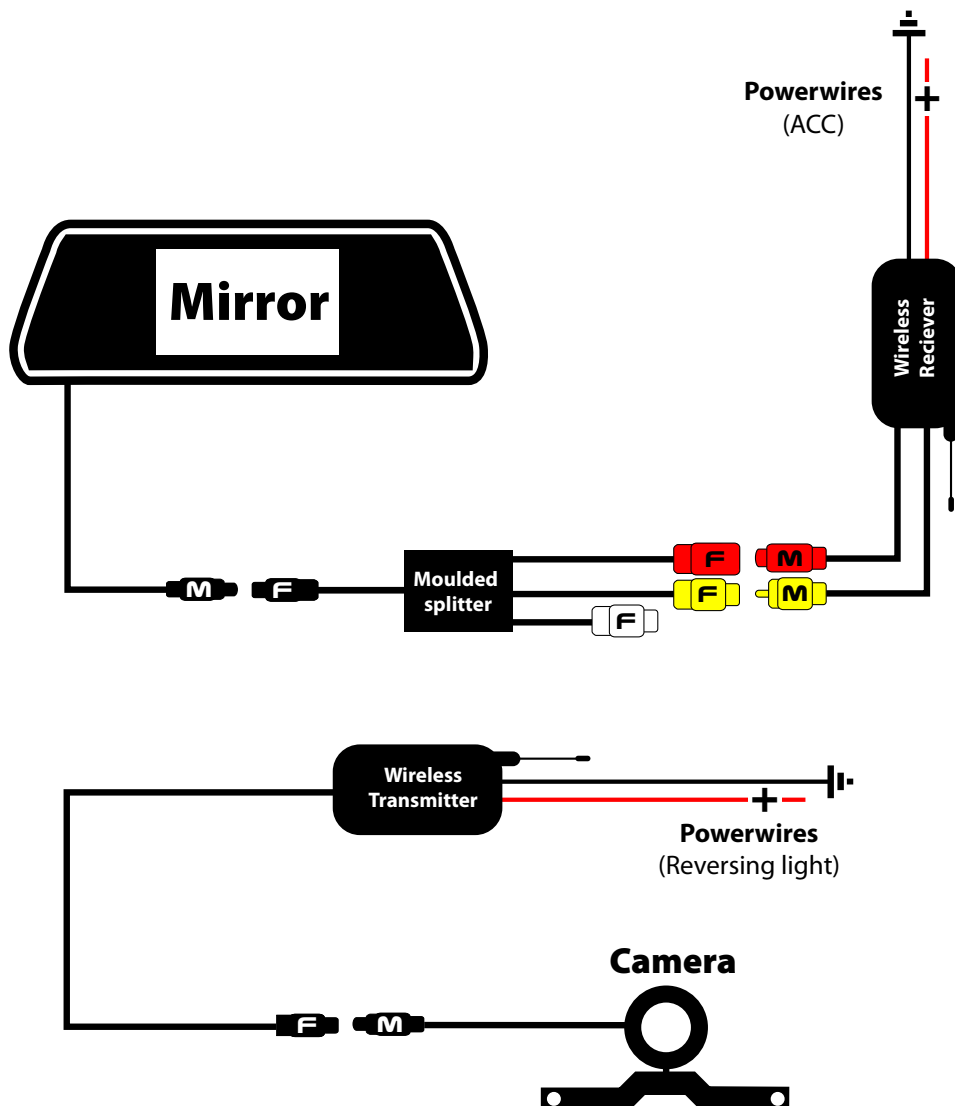
In terms of the wiring of the camera system, the Gator ARV43M can be electrically installed in 2 different ways, wired or wireless. We call this versatility Dual Tech.

WIRELESS INSTALLATION:

Wireless installation refers to the connection of the video signal to the monitor. In a wireless installation there is no need to run a video cable through the passenger compartment which can be difficult for some DIY installers. Instead, the signal is sent wirelessly to the monitor. This feature means that the time and difficulty of installing the camera system is greatly reduced.

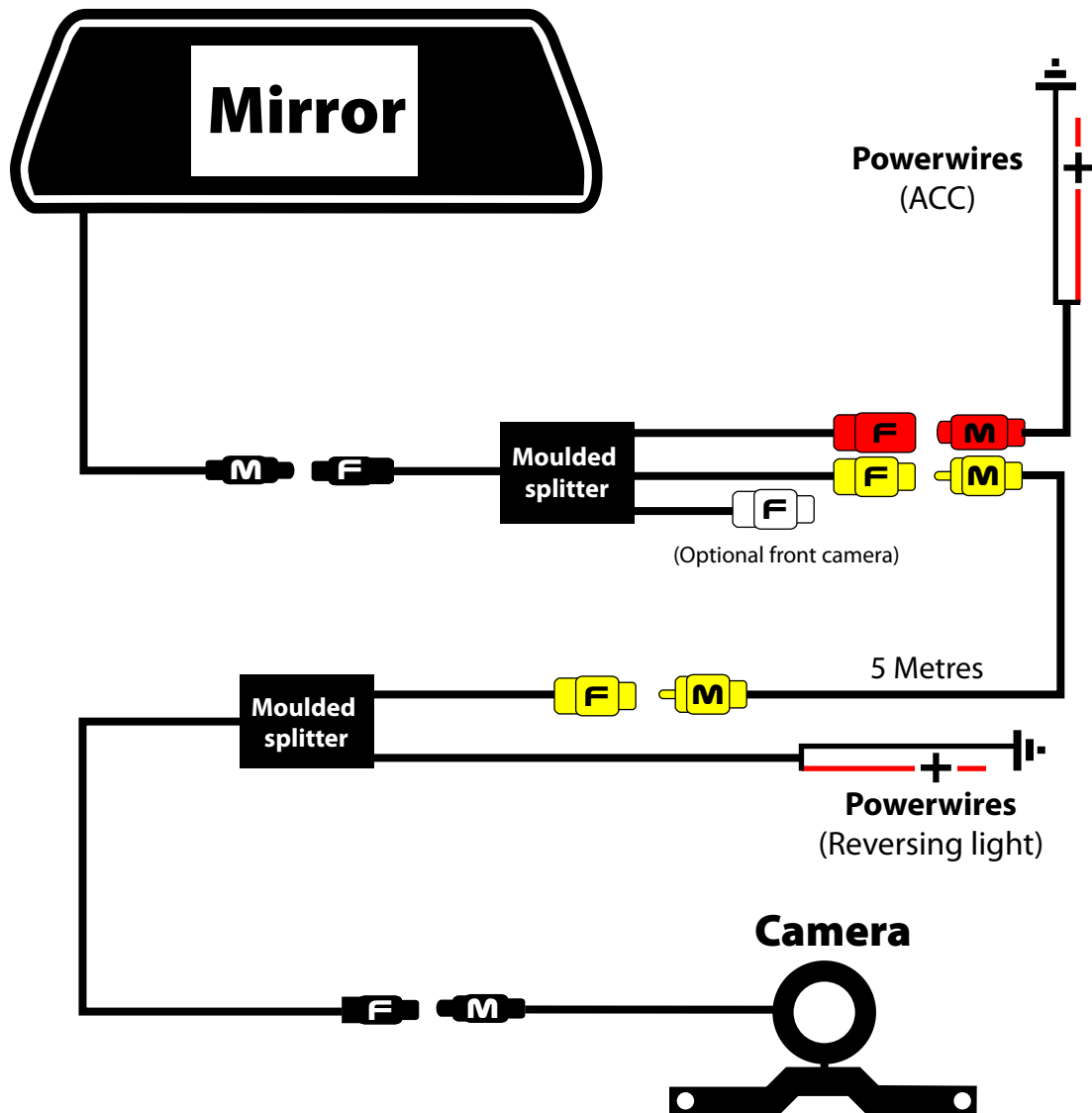
At the rear of the car the Camera is connected to a wireless transmitter which is powered from the reverse tail light wire.

In the event that you live and drive in an area where RF interference is a problem (Poor video signal), you may need to change your installation to wired. you may need to change your installation to wired.



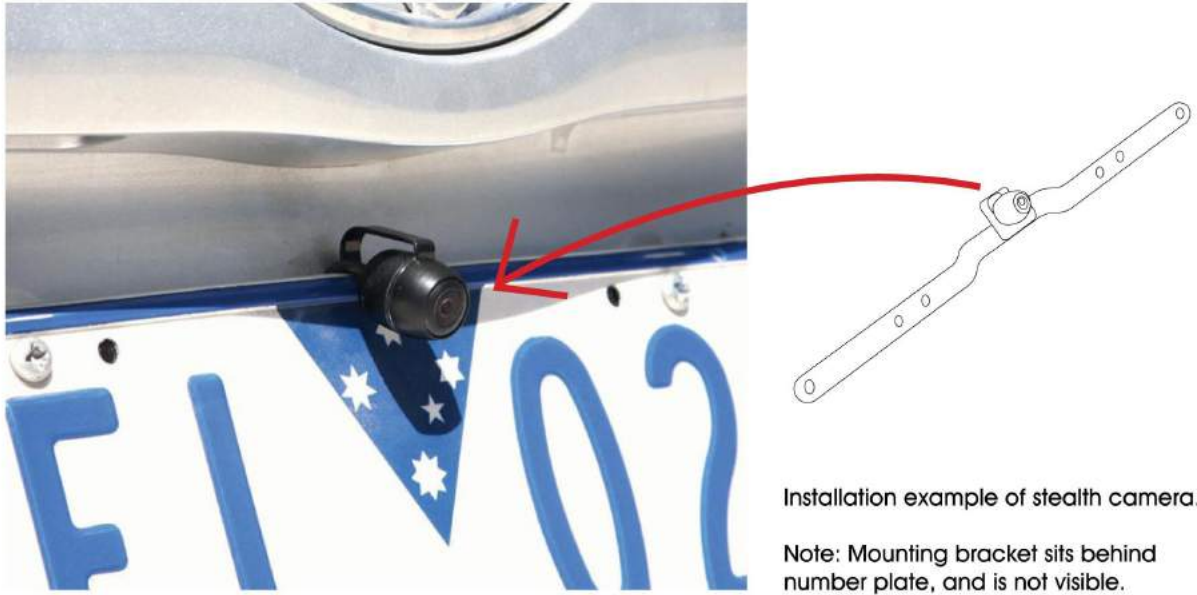
WIRED INSTALLATION:

The video signal is transferred from the camera to the monitor via an RCA cable that will need to be run from the boot through the passenger compartment to the monitors wired loom run under the dash. From there the power and video signals are sent directly to the monitor. At the rear of the car the camera is powered directly from the reversing tail light.



INSTALLING THE CAMERA (Wired installation or Wireless)

In most instances, the camera is best mounted above the vehicles license plate as shown here.



Where this is not possible there are other camera combinations that will suit your individual application. When mounting the camera, make sure that the camera does not cover any part of the license plate. Choose a position that does not impede the access / operation of the boot release or tailgate latch.

1. Remove the rear license plate from the vehicle by undoing the bolts / screws.
2. Remove the wax paper from the adhesive strip on the back of the camera mounting bracket to expose the adhesive surface. Carefully align the brackets arm so that the top edge of the arms align to the top edge of where the license plate would sit and stick it in place making sure that 2 holes in the mounting bracket align with the mounting holes of the license plate.
3. With the license plate off, check if there are pre-existing holes through which the cables from the camera can be passed through to the boot of the vehicle as in Fig. 2. If there are no pre-existing holes carefully drill a hole of sufficient diameter to allow the cables to be passed into the interior of the vehicle (through a rubber grommet) and seal the hole with silicone to avoid water leakage.
4. Refit the license plate over the camera bracket using the original bolts / screws.



Fig.1

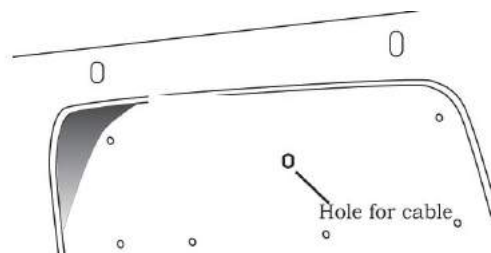


Fig.2

WIRELESS INSTALLATION.

1. Connect the RED wire of the wireless video transmitter to the wire that supplies power to the reversing light (this is the wire that is energized when the vehicle is put into reverse). Please measure the voltage on this wire to make sure that it is +12V when it is energized. Use a suitable splicing / crimp connector (Scotch lock type) or strip back the insulation and solder the connection making sure to insulate the connection with electrical tape or shrink tubing after the join is made.
2. Connect the BLACK wire of the transmitter to a suitable ground such as the metal body of the vehicle. To attach, find a suitable metal panel making sure that there are no wires and electronics behind this panel. Drill a small 1 / 8th hole. Attach an "O" ring terminal at the end of the BLACK wire, then secure the wire to the chassis using a suitable self-tapping screw. To ensure a better earth connection, scrape away the paint around the hole before screwing the terminal into the hole.
3. Plug the other connections of the transmitter cable into the corresponding sockets of the camera's harness.

NOTE:

Some cars that Run LED or Computer controlled lighting systems may not deliver enough voltage to the transmitter. If the voltage at the reversing wire light is less than +11 volts it may be necessary to use a relay to supply power to the transmitter from the accessory wiring in the front of the car. In this case the reversing light wire only needs to trigger the relay.

Make sure that you do not drill holes in the panels that have an opposite face that is visible outside the car for example guard panels. In fact, whenever drilling holes in the bodywork of a vehicle, always see what is on the other side ;-).

WIRED INSTALLATION.

1. Connect the RED wire of the Camera's Power Harness to the wire that supplies power to the reversing light globe (the wire that is energized only when the car is put into reverse). Before making the electrical connection, temporarily disconnect the camera from the power plug whilst making the connection to the back up light. Use a suitable splicing / crimp connector (Scotch lock type) or strip connector. This connection can also be soldered, making sure to insulate the joint with electrical insulation when done.
The camera has only one wire to connect (positive (+)). There is no need to hook up a ground wire as the camera gets its earth through the RCA lead. Hooking up the earth may cause a ground loop. In this case Horizontal lines will appear in the image.
2. After you have insulated the join you can connect the power harness to the camera.

NOTE:

Some cars that Run LED or Computer controlled lighting systems may not deliver enough voltage to run the camera. If the voltage at the reversing wire light is less than +12 volts it may be necessary to use a relay to supply power to the transmitter harness from the wiring in the front of the car. In this case the reversing light only needs to trigger the relay.

Make sure that you do not drill holes in the panels that have an opposite face that is visible outside the car for example guard panels. In fact, whenever drilling holes in the bodywork of a vehicle, always see what is on the other side.

3. Connect one end of the Supplied RCA Video lead to the RCA lead coming from the camera then run the RCA lead to the front under side of the driver side dash board (This is were the monitors loom will be located).
To do this you will need to remove the rear seat to pass the cable into the cabin area and you will need to remove the door scuff plates to run the wire along the side of the vehicle. The RCA cable will be hidden when you replace the scuff plates. When the cable is at the front of the vehicle the RCA cable needs to be run from the scuff plate area to the under side of the dash behind the kick trim (Remove to run cable).
4. The Mirror mount monitor has two power wires to be connected. Connect the Red wire (Accessories +12V) to a wire that is energized when the accessories position on the key is active (When the radio is on) and the black wire to a ground wire or you can connect the back wire to the body of the car using the steel of the cars body behind the kick trim as an earth. In this case drill a small (1/2th hole and connect the wire using a suitable 4 ring terminal. Scrape off the cars paint around the hole to ensure a good earth.
9. Connect the RCA lead to the RCA Connector from the Monitors loom.

TESTING THE REVERSE CAMERA FUNCTION

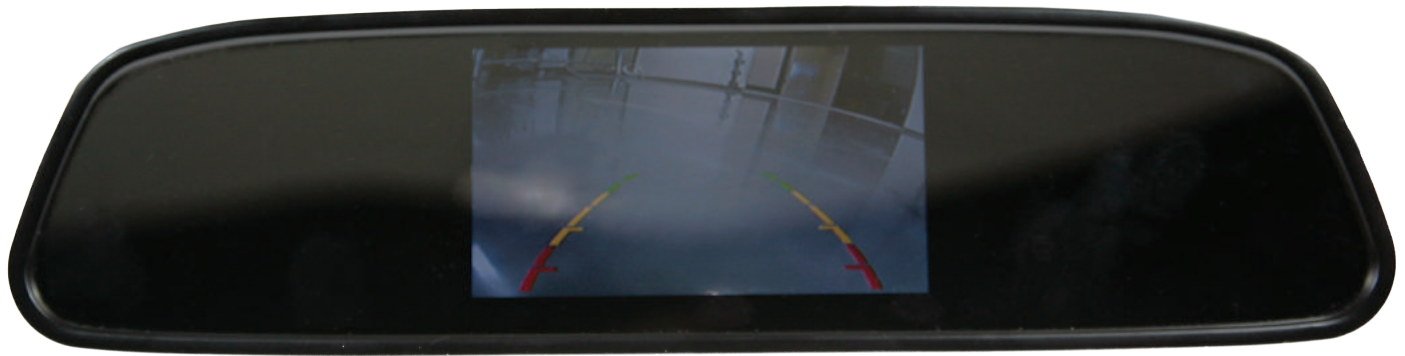
1. Engage the park brake and turn the ignition key to the on position. DO NOT start the vehicle.
2. Select reverse gear with the gear shift. The Monitor will sense the Video signal from camera automatically and image should start broadcasting the image of the rear of the vehicle.

SCREEN ADJUSTMENT MENU (Back of mirror)

1. Middle button activates menu. Press repeatedly to change functions

Brightness
Contrast
Saturation
Zoom ratio
Languages
Reset

2. Top button increases value. Press repeatedly to go up in value
3. Bottom button decreases value. Press repeatedly to down in value



TECHNICAL ASSISTANCE

If you need assistance setting up or using your Gator product now or in the future, call Gator Support.

Australia

TEL: 03 – 8587 8898

FAX: 03 – 8587 8866

Mon-Fri 9am – 5pm AEST

Please retain this user guide for future reference.

