

SCA
VALUE YOU CAN TRUST

 **QUALITY
ASSURED**

1 YEAR
WARRANTY

3 SHELF SERVICE CART

Product Manual



PLU 368609

WARRANTY

Our product is guaranteed to be free from quality and manufacturing defects for a period of **12 months**.

If your product becomes defective during this period, **SRGS PTY LTD** will offer you either a replacement, credit or refund where a product is faulty; wrongly described; different from the sample shown to you or do not do what they are supposed to do.

This warranty will not cover substantially modified product; misuse or abuse of the product contrary to user instructions or packaging label; change of mind and normal wear and tear.

Our goods come with guarantees that cannot be excluded under the Australian Consumer Law. You are entitled to a replacement or refund for a major failure and for compensation for any other reasonably foreseeable loss or damage. You are also entitled to have the goods repaired or replaced if the goods fail to be of acceptable quality and failure does not amount to a major failure.

To claim the warranty, take the product to the front Service Desk of your nearest store of purchase. You will need to show receipt or other proof of purchase. Additional information may be required to process your claim. Should you not be able to provide proof of purchase with a receipt or bank statement, identification showing name, address and signature may be required to process your claim.

Any expenses relating to the return of your product to the store will normally have to be paid by you. For online store purchases, **SRGS PTY LTD** will pay for the return freight for any product assessed as having a major failure.

The benefits to the customer given by this warranty are in addition to other rights and remedies of the Australian Consumer Law in relation to the goods or services to which this warranty relates.

This warranty is provided by **SRGS PTY LTD, 6 Coulthards Avenue, Strathpine QLD 4500, Australia. Phone: 1300 175 010.**

ASSEMBLY INSTRUCTIONS:

Contents: (A) 3x 60mm Deep shelves

(B) 4x Posts

(C) 2x 76mm (3") 360° Swivel solid rubber wheels with locking brake

(D) 2x 76mm (3") Rigid solid rubber wheels

(E) 1x Tubular steel handle

(F) 48x M6 x 10mm Short bolt and nut sets

(G) 16x M8 x 10mm Wheel bolt and nut sets

(H) 3x EVA Mats

Specifications: Overall dimensions - L765 x W360 x H760 mm

Maximum rated capacity:

- 30kg per shelf

Includes three 60mm deep shelves

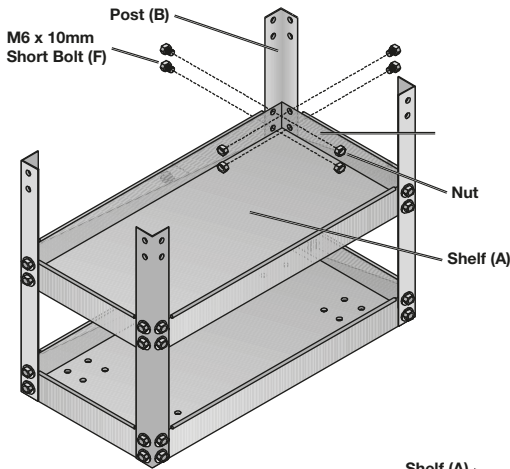
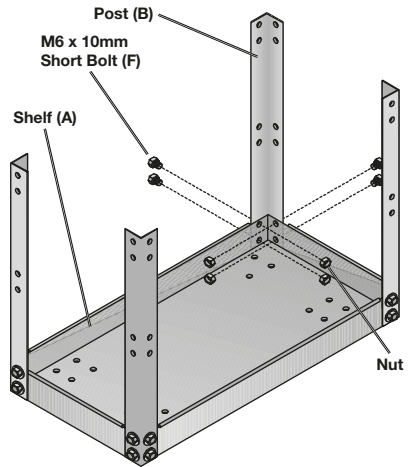
76mm (3") smooth rolling solid rubber wheels

Tools required (not included): 1x 10mm Spanner

2x 12mm Spanner

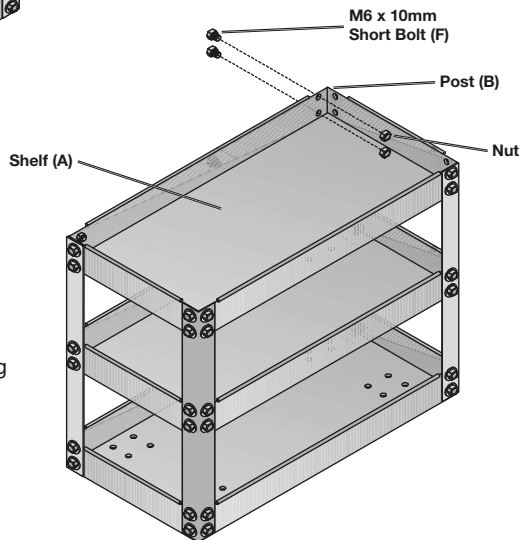
Attaching Posts (B) to Shelf (A)

1. Lay one **Shelf (A)** (The one with four sets of four holes on the bottom) on the floor and attach the **Posts (B)** to the outside corners of the shelf using sixteen **Short Bolt and Nut Sets (F)** - 1x M6 x 10mm Short Bolt and 1x M6 Nut per set.



2. Attach the other **Shelf (A)** to the inside of the **Posts (B)** at all four corners using sixteen **Short Bolt and Nut Sets (F)** - 1x M6 x 10mm Short Bolt and 1x M6 Nut per set.

Tips: Set the Service Cart on its side and work on two posts at a time for ease of assembly.

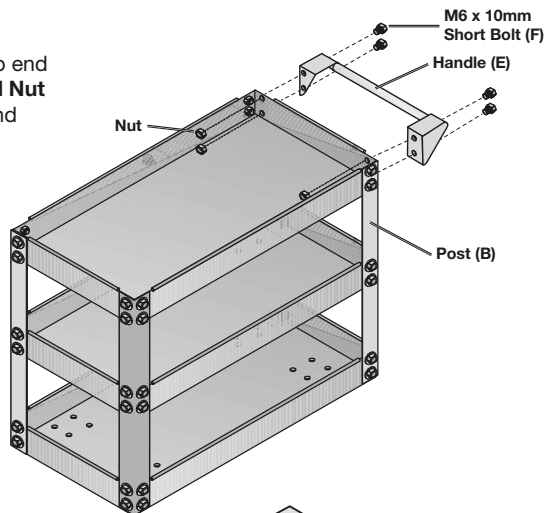


3. Attach the last **Shelf (A)** to the inside top of the **Posts (B)** using twelve **Short Bolt and Nut Sets (F)** - 1x M6 x 10mm Short Bolt and 1x M6 Nut per set. (Four holes on one end of this top **Shelf (A)** are reserved for attaching the **Tubular Steel Handle (E)** in the next step.)

Tips: Set the Service Cart on its side and work on two posts at a time for ease of assembly.

Attaching Tubular Steel Handle (E)

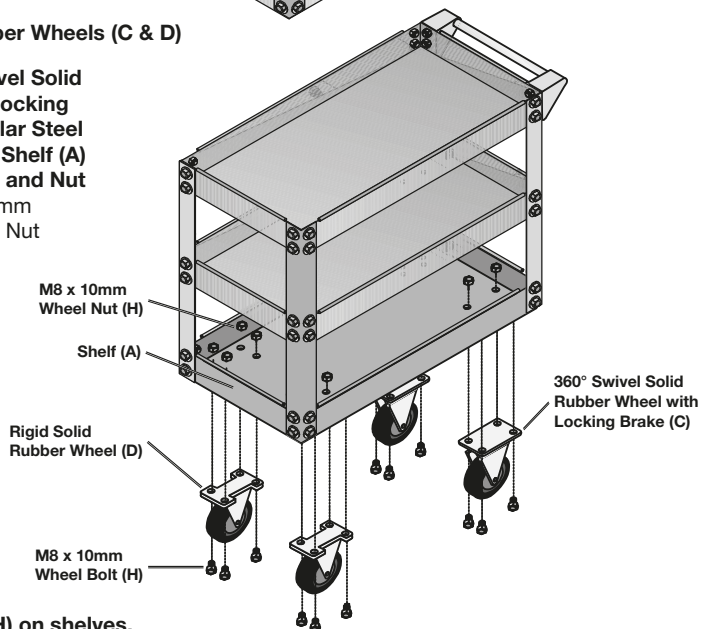
Attach the **Tubular Steel Handle (E)** to end of **Posts (B)** using four **Short Bolt and Nut Sets (F)** - 1x M6 x 10mm Short Bolt and 1x M6 Nut per set.



Attaching Solid Rubber Wheels (C & D)

Attach each **360° Swivel Solid Rubber Wheel with Locking Brake (C)** to the **Tubular Steel Handle (E)** end of the **Shelf (A)** using four **Wheel Bolt and Nut Sets (G)** - 1x M8 x 10mm Wheel Bolt and 1x M8 Nut per set.

Attach each **Rigid Solid Rubber Wheel (D)** to the remaining end of the **Shelf (A)** using the remaining **Wheel Bolt and Nut Sets (G)** - 1x M8 x 10mm Wheel Bolt and 1x M8 Nut per set.



Place 3x EVA Mats (H) on shelves.