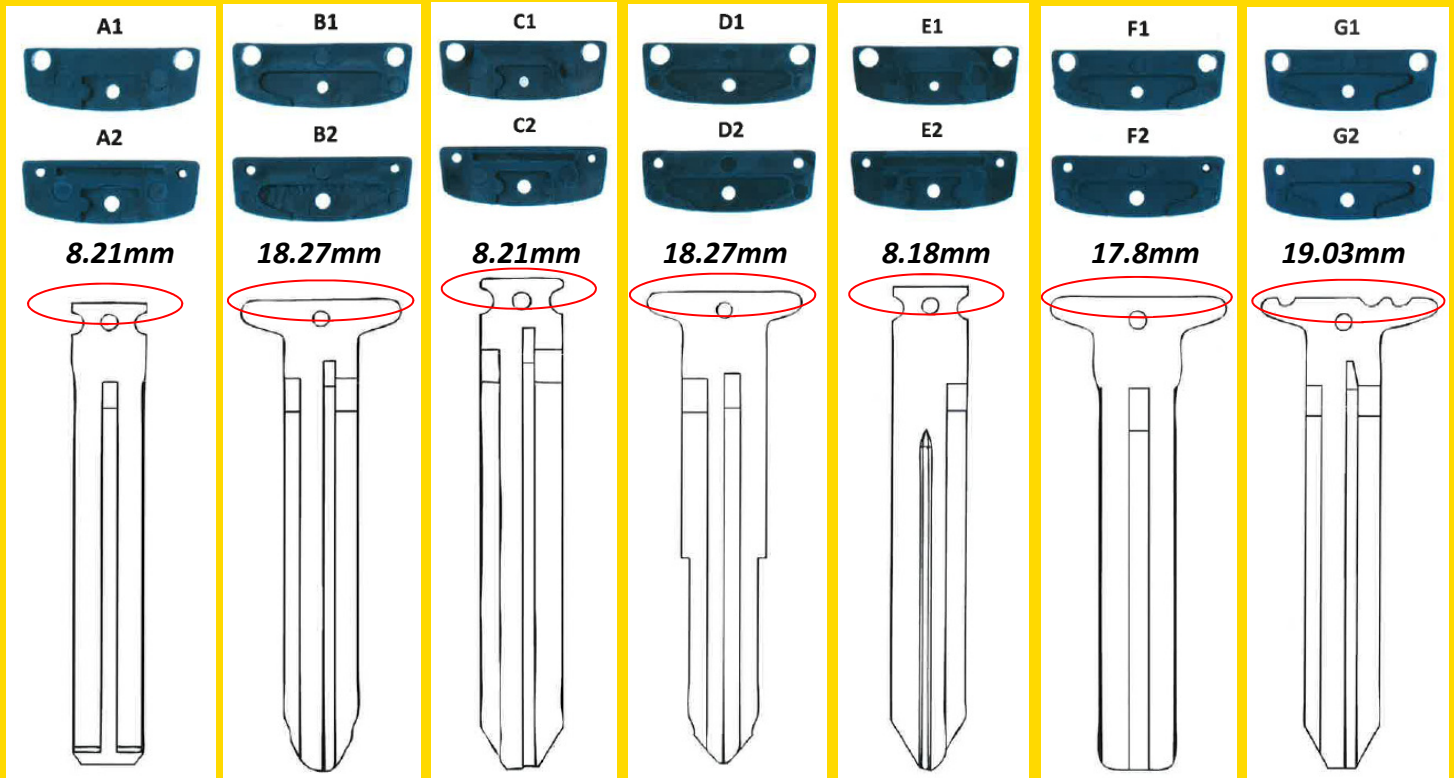


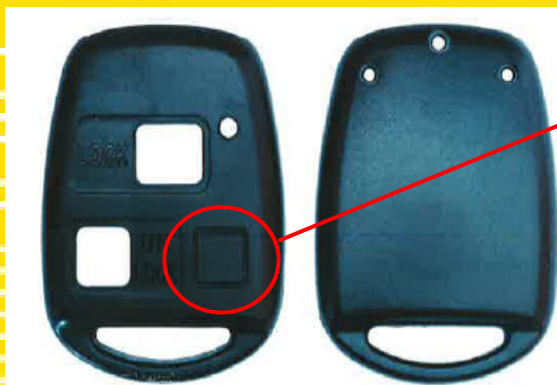


# Adaptable replacement Cover shell for damaged Toyota Keys

Use this replacement shell and adaptor when the original key shell breaks allowing the use of the original metal key blade (no need to go to a locksmith) This kit consists of 2 covers and 7 sets of adaptors (front and rear part). The covers are suitable for all kind of Toyota keys. The kit can be used on both 2 and 3 button remotes (in the latter case the blocking part must be removed).



Directions: To determine which adaptor to use. Remove and measure the key head width (circled) and match your key to picture. Fit corresponding adaptor. Change over electronics from broken shell into new shell. Assemble and screw together.



Remove this blocking part for 3  
button key remotes

**Part Number: KF325**

**External View**

Visit our new website:

**[www.maparts.com.au](http://www.maparts.com.au)**