



## HYDRAULIC TROLLEY JACK

Distributed by Kincrome Group [www.kincromegroup.com](http://www.kincromegroup.com)

# Owner's Assembly and Operating Manual

SPECIFICATIONS .....	2
IMPORTANT SAFETY INFORMATION .....	3
UNPACKING AND ASSEMBLING JACK .....	3
Unpacking Carton .....	3
Handle - Handle Wrench .....	3
Testing Handle Operation.....	3
OPERATING JACK.....	4
Preparing Work Area .....	4
Lifting Vehicle .....	5
Working On Vehicle.....	5
Lowering Vehicle .....	5
MAINTENANCE AND STORAGE .....	6
Lubricating.....	6
Maintaining Oil Level.....	6
Important Note: .....	6
Adding Oil:.....	6
Replacing Oil:.....	6
Cleaning .....	6
Storage.....	6
Repairing Jack .....	6

## SPECIFICATIONS

Working Load limit	1350 KG
Height lowered	143 mm
Height raised	345 mm
Handle Length	600 mm
Total Weight:	8.3 KG
Part Number	K12060

## IMPORTANT SAFETY INFORMATION

The use of a vehicle jack has inherent dangers to avoid risk of personal injury or property damage make sure you are fully aware of the operating instructions for this product, the recommendations in the vehicle owners manual for jacking of your vehicle prior to lifting the vehicle. Do not exceed maximum lifting capacity of this jack. This jack is intended for automotive use only. Be aware that large or heavy vehicles may exceed jack's stated capacity check vehicle owners manual or contact the vehicle manufacturer. Do not use for any other purpose accept the raising and lower of vehicles, Never use to raise any structure or building, Don not lift any human load and never ride on jack.

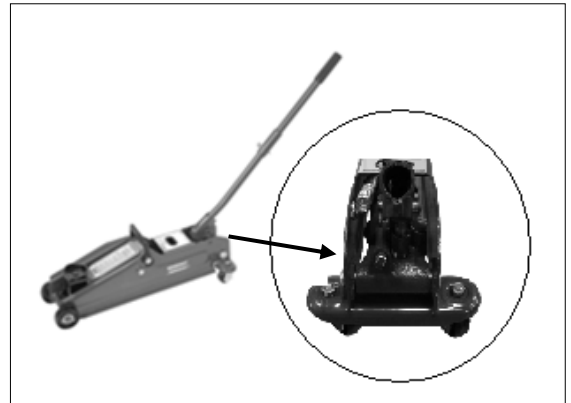
## UNPACKING AND ASSEMBLING JACK

### Unpacking Carton

Place carton in a clear, open area such as garage floor. Remove jack and handle from carton.

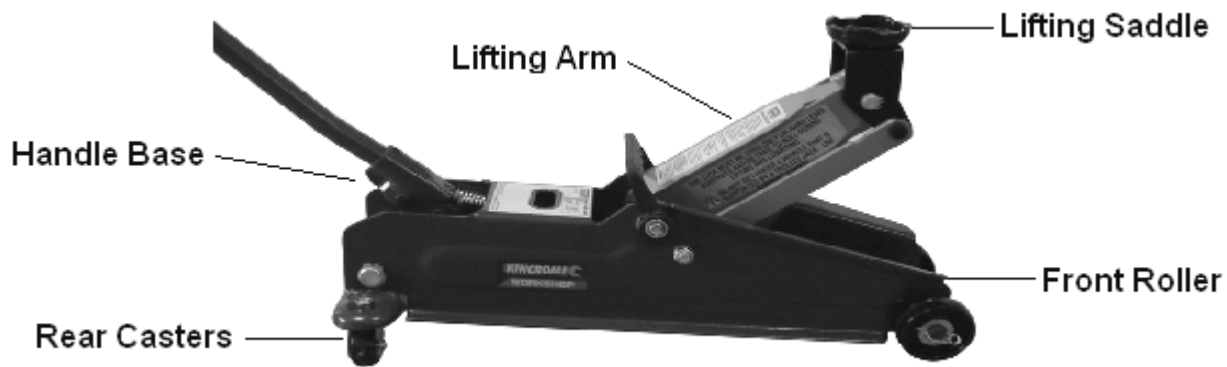
### Handle - Handle Wrench

With the jack sitting on its wheels on a flat surface, place handle wrench over release valve. Turn handle slowly clockwise until firm DO NOT over tighten. Remove handle from release valve and slide handle into handle base.



### Testing Handle Operation

Briefly test jack operation as follows BEFORE using to lift any load. With handle on the release valve turning clockwise or counter clock wise allows jack to be raised and lowered. To raise jack, twist handle completely clockwise until it stops. Do not force or tighten beyond this point. Take handle from release valve and place in handle sleeve, Pump handle a few times to raise jack about halfway. If jack does not begin to rise after a few pumps, check to make sure the release valve is tight. With jack raised, place handle on release valve twist handle slowly counterclockwise to lower jack. A normal hissing sound may be heard as jack lowers and pressure in hydraulic cylinder is released.



## OPERATING JACK

### Preparing Work Area

Before using jack to lift vehicle, it is important to prepare work area properly. Follow this procedure each time the jack is used to help prevent property damage and or serious injury.

- 1.) Thoroughly inspect jack for damage or wear before each use. Briefly test operation of unloaded jack before using to lift any load. If jack is damaged or is malfunctioning **DO NOT LIFT ANY LOAD** until the problem is corrected.
- 2.) Consult vehicle owner's manual for safety precautions, jacking procedure, vehicle weight, recommended jack type, and location of jack support areas on vehicle. The working load limit of the jack is 1350 kg. **NEVER EXCEED WORKING LOAD LIMIT OF JACK.**
- 3.) Clear children and others from work area before moving or lifting vehicle. Another adult should be nearby for extra safety and assistance but must be clear of vehicle as it is moved or lifted.
- 4.) No person should remain in a vehicle that is being lifted by a jack, No person should enter a vehicle which is supported by a jack or by vehicle support stands. No person should lean into a vehicle which is supported by a jack or by vehicle support stands.
- 5.) Clear obstructions from work area. Working in tight or cluttered work areas is dangerous.
- 6.) Be sure jack and vehicle are on solid, level ground such as paved or concrete driveway or garage floor so the jack is free to roll during lifting and lowering. Uneven or sloped surfaces create hazardous working conditions and dangerously impeded the function of the jack.
- 7.) With vehicle in proper position, set vehicle's parking brake or emergency brake and put gearshift in park (manual transmissions should be placed in lowest gear). **TURN VEHICLE IGNITION OFF AND TO THE "LOCK" POSITION** making sure steering wheel locks.
- 8.) Do not rely on vehicle transmission or brakes to hold vehicle in position. Chock all wheels of vehicle not being lifted off the ground to prevent vehicle rolling. Using wedge-shaped blocks that tire cannot roll over, position one chock tight against the tyre in both forward and reverse rolling paths.
- 9.) Jack stands, Vehicle support stands (not included) will be needed to support vehicle once it is in raised position. Have jack stands, vehicle support stands capable of supporting vehicle weight ready nearby for use. Read and understand jack stand manufacturer's instructions and safety information before use and before lifting the vehicle with this jack.

- 10.) Plan location of jack beneath vehicle, making sure jack will be contacting only a jack support area of vehicle. Consult vehicle owner's manual for location of jack support areas.

## **Lifting Vehicle**

Lifting a vehicle using a jack can be dangerous. Follow all instructions and precautions below. Do not lift any vehicle with its engine running or start any vehicle that is supported by jack or jack stands.

- 1.) With lifting arm completely lowered, roll jack into position beneath jack support area of vehicle.

### **DO NOT MANEUVER JACK WITH HANDLE ON THE RELEASE VALVE**

- 2.) Twist jack handle completely clockwise on the release valve. Place handle in sleeve and slowly pump handle until lifting saddle just begins to contact support area on underside of vehicle.
- 3.) Inspect position of lifting saddle beneath support area, making sure it is centered and properly engaging support area.
- 4.) Continue pumping handle until vehicle is lifted to desired height. Pay attention to lifting saddle position as vehicle is being raised to be sure there is no danger of support area slipping off or lifting from the saddle.
- 5.) Place jack stands under additional vehicle support areas.
- 6.) SLOWLY twist jack handle counterclockwise to ease vehicle down onto jack stands.

## **Working On Vehicle**

Any vehicle being supported by a jack or jack stands creates a potentially hazardous working environment. Do not move or roll a jack that is supporting a vehicle. Never place any part of your body beneath a vehicle supported by a jack. Be careful of forces applied to vehicle such as torque on a nut or bolt. These forces could cause vehicle to become unstable on jack stands if jack stands are not properly placed. Do not turn vehicle ignition or attempt to start any vehicle supported by jack or jack stands.

## **Lowering Vehicle**

Before lowering vehicle, be sure area under and near vehicle is clear of all persons and obstructions.

- 1.) Re-position jack under same support area used to lift vehicle.

### **DO NOT MANEUVER JACK WITH HANDLE ON THE RELEASE VALVE**

- 2.) Twists handle completely clockwise. Pump handle until lifting saddle just makes contact with support area under vehicle.
- 3.) Check to be sure lifting saddle is centered under support area. Slowly pump handle to lift vehicle off from jack stands.
- 4.) Remove jack stands, setting them aside, well clear of vehicle.
- 5.) With firm grip on jack handle, SLOWLY twist handle counterclockwise until jack just begins to lower.
- 6.) Carefully control speed of descending vehicle. Lowering a vehicle too fast can cause property damage or injury.

# **MAINTENANCE AND STORAGE**

## **Lubricating**

Moving parts on jack should be lubricated occasionally with a light machine oil to maintain efficient operation. Apply oil to joints on lift arm hinges, push rods, handle base, rear caster wheels, front roller, etc.(refer to pages 6-7 for location of these parts).wipe away excess oil with soft cloth.

## **Maintaining Oil Level**

### **Important Note:**

When adding or replacing oil, always use a good grade Hydraulic Jack Oil. Avoid mixing types of oil. DO NOT use Brake Fluid, Alcohol, Glycerin, Detergent, Motor Oil or Dirty Oil, Improper fluid can cause serious internal damage to Jack.

### **Adding Oil:**

With saddle fully lowered & jack on level ground, remove Air Vent Valve. Oil level should be approx 12 mm below valve hole. If low, add oil as needed then close air vent valve.

### **Replacing Oil:**

For better performance & longevity, replace oil supply once a year. To drain oil, open Air Vent Valve and loosen the release Valve by turning handle counterclockwise. BE VERY CAREFUL not to permit dirt or foreign matter to get into the system. Close release valve by turning handle clockwise, fill with good grade Hydraulic Jack Oil close Air Vent Valve wipe away any spilt fluid. Test jack before lifting a load.

## **Cleaning**

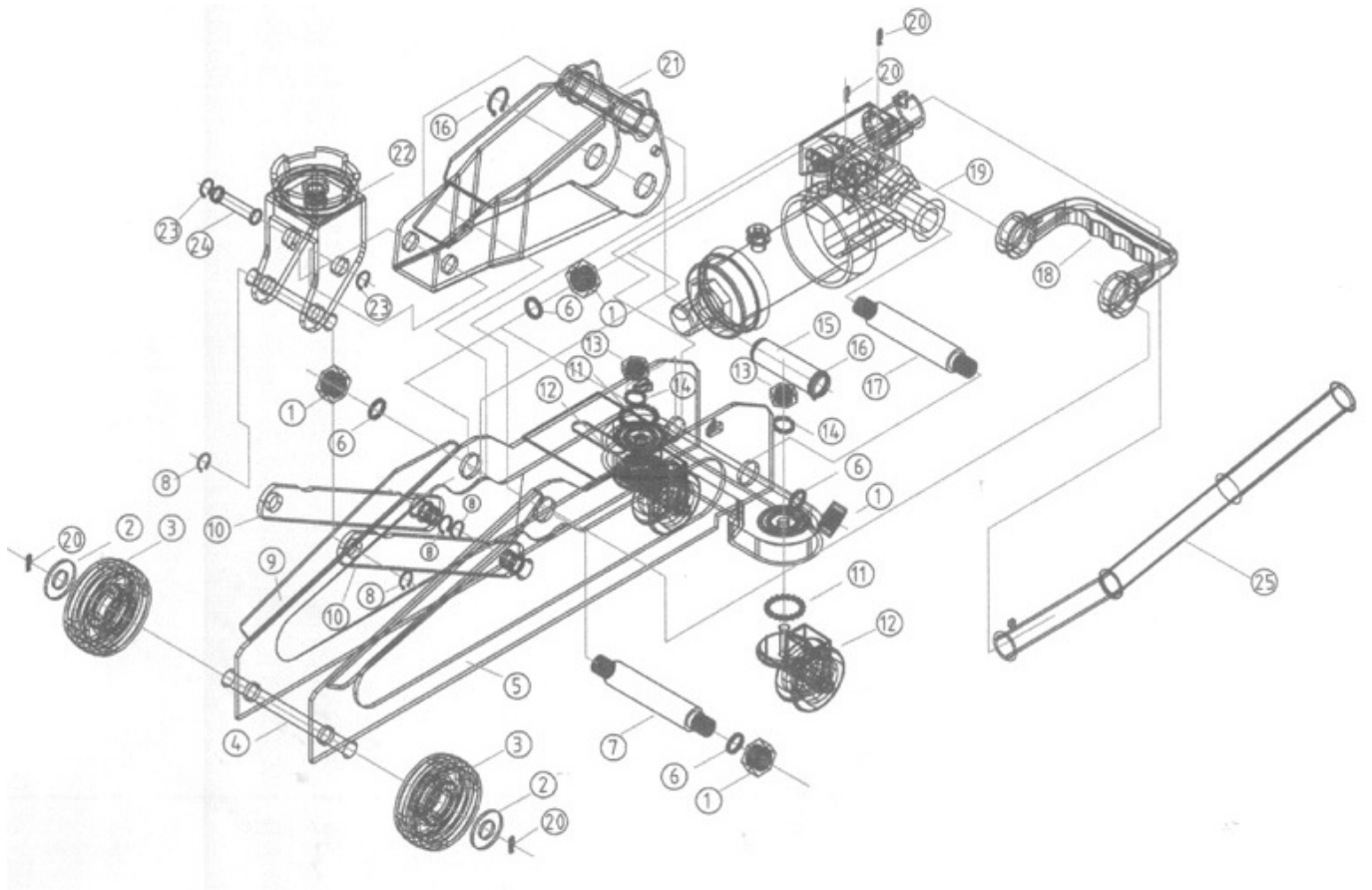
Jack should be wiped clean with soft cloth only. Do not use gasoline, kerosene, or other such solvents or any abrasive cleanser as cleaning agents and solvents will cause deterioration of the hydraulic seals.

## **Storage**

Before storage, twist handle 1-1/2 turns counterclockwise to release pressure in hydraulic cylinder. Leave handle in this position. Store jack level, in a clean environment preferably indoors, in a dry area to protect jack from moisture.

## **Repairing Jack**

There are no user serviceable parts except as outlined above. Only trained, licensed and certified repair personnel should attempt any repairs or replacing of parts. Any modifications to this jack, except those performed by the manufacturer, or their designee, will void all warranties both written and implied.



NO	DESCRIPTION	Q'TY	NO	DESCRIPTION	Q'TY
1	NUT	4	14	SPRING WASHER	2
2	WASHER	2	15	PISTON ROD SHAFT	1
3	FRONT WHEEL	2	16	SNAP RING"C"	2
4	FRONT WHEEL SHAFT	1	17	BASE SHAFT	1
5	LEFT SIDE	1	18	CARRYING HANDLE	1
6	SPRING WASHER	4	19	BASE	1
7	MIDDLE SHAFT	1	20	WIRE PIN	4
8	SNAP RING"C"	4	21	LIFTING ARM	1
9	RIGHT SIDE	1	22	SADDLE UNIT	1
10	LINK	2	23	SNAP RING"C"	2
11	STEEL BALL	2	24	LIFTING ARM SHAFT	1
12	CASTOR UNIT	2	25	HANDLE	1
13	NUT	2			

Distributed by Kincrome Group [www.kincromegroup.com](http://www.kincromegroup.com)

3 Lakeview Drive Scoresby Victoria

Phone: 1300 657 528

