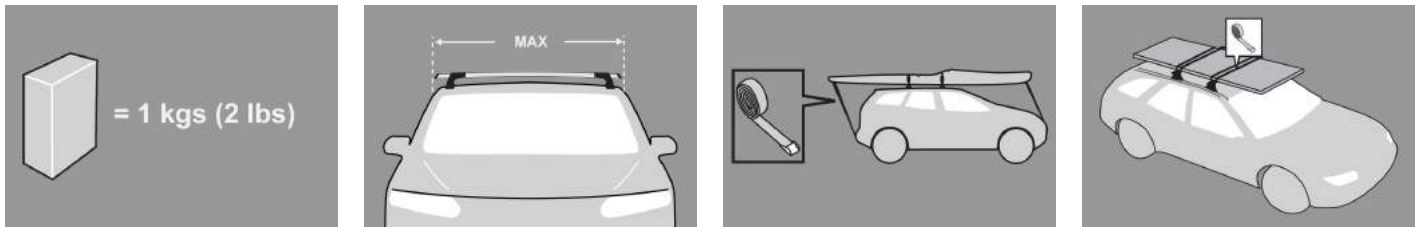


EN Fitting Instructions for Basic Carrier



x 4

11-02-233



x 4



x 4



x 4

11-04-220

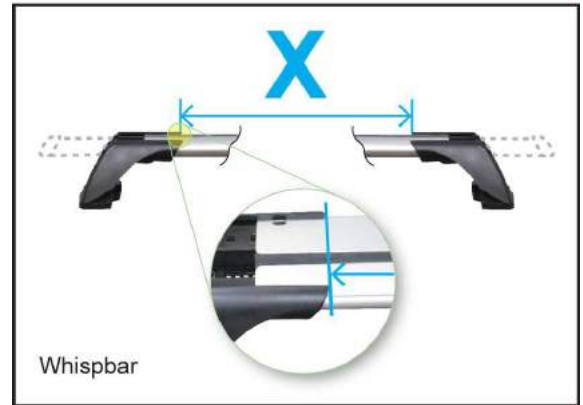
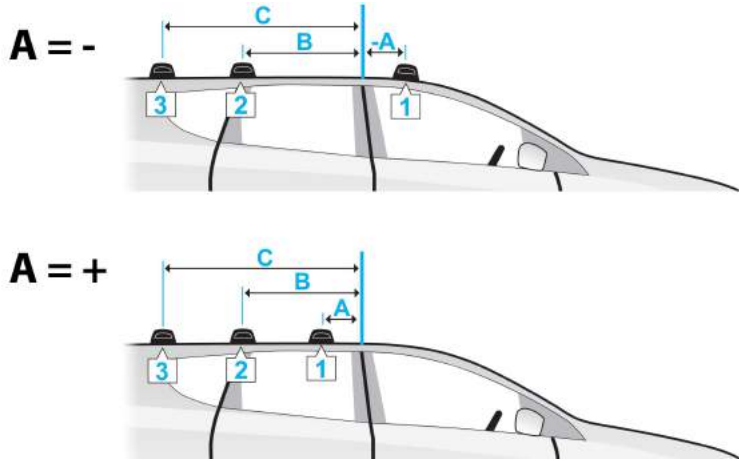


x 4



	MAX kgs (lbs)	
	W/P	WHD
Mitsubishi		
Airtrek, 5dr SUV 01-05	EU 50 kgs (110 lbs)	50 kgs (110 lbs)
Airtrek, 5dr SUV 01-Jan 06	NZ 50 kgs (110 lbs)	50 kgs (110 lbs)
Cedia, 4dr Sedan 03-07	AU 50 kgs (110 lbs)	50 kgs (110 lbs)
Cedia, 4dr Sedan 03-07	EU 50 kgs (110 lbs)	50 kgs (110 lbs)
Cedia, 4dr Sedan 03-07	NZ 50 kgs (110 lbs)	50 kgs (110 lbs)
Cedia, 4dr Sedan 03-07	CN 50 kgs (110 lbs)	50 kgs (110 lbs)
Cedia, 4dr Sedan Feb 01-Jul 03	NZ 50 kgs (110 lbs)	50 kgs (110 lbs)
Chariot Grandis, 5dr MPV 98-03	EU 50 kgs (110 lbs)	50 kgs (110 lbs)
Chariot Grandis, 5dr MPV 98-03	CN 50 kgs (110 lbs)	50 kgs (110 lbs)
Colt Plus, 5dr Wagon Aug 04-12	NZ 50 kgs (110 lbs)	50 kgs (110 lbs)
Colt, 5dr Hatch 03-14	EU 50 kgs (110 lbs)	50 kgs (110 lbs)
Colt, 5dr Hatch Aug 04-14	AU 50 kgs (110 lbs)	50 kgs (110 lbs)
Colt, 5dr Hatch Dec 03-14	NZ 50 kgs (110 lbs)	50 kgs (110 lbs)
Delica D5, 5dr MPV 07-+	NZ 50 kgs (110 lbs)	50 kgs (110 lbs)
Delica D5, 5dr MPV 07-+	NZ 50 kgs (110 lbs)	50 kgs (110 lbs)
Delica D5, 5dr MPV 07-+	AU 50 kgs (110 lbs)	50 kgs (110 lbs)
Delica D5, 5dr MPV 07-+	AU 50 kgs (110 lbs)	50 kgs (110 lbs)
Grandis, 5dr MPV 03-+	CN 50 kgs (110 lbs)	50 kgs (110 lbs)
Grandis, 5dr MPV 03-11	EU 50 kgs (110 lbs)	50 kgs (110 lbs)
Grandis, 5dr MPV 98-Dec 03	NZ 50 kgs (110 lbs)	50 kgs (110 lbs)
Grandis, 5dr MPV Sep 04-11	NZ 50 kgs (110 lbs)	50 kgs (110 lbs)
Grandis, 5dr MPV Sep 04-11	AU 50 kgs (110 lbs)	50 kgs (110 lbs)
Lancer CG, 4dr Sedan Jun 02-Jul 03	AU 50 kgs (110 lbs)	50 kgs (110 lbs)
Lancer CH/CS, 4dr Sedan Aug 03-Aug 07	AU 50 kgs (110 lbs)	50 kgs (110 lbs)
Lancer CH/CS, 5dr Wagon Aug 03-Aug 07	AU 50 kgs (110 lbs)	50 kgs (110 lbs)
Lancer EVO VII, 4dr Sedan Mar 01-Jan 03	AU 50 kgs (110 lbs)	50 kgs (110 lbs)
Lancer EVO VII, 4dr Sedan Mar 01-Jan 03	NZ 50 kgs (110 lbs)	50 kgs (110 lbs)
Lancer EVO VII, 4dr Sedan Mar 01-Jan 03	EU 50 kgs (110 lbs)	50 kgs (110 lbs)
Lancer EVO VIII, 4dr Sedan 03-05	AU 50 kgs (110 lbs)	50 kgs (110 lbs)
Lancer EVO VIII, 4dr Sedan 03-05	NZ 50 kgs (110 lbs)	50 kgs (110 lbs)
Lancer EVO VIII, 4dr Sedan 03-05	EU 50 kgs (110 lbs)	50 kgs (110 lbs)
Lancer, 4dr Sedan 00-03	ZA 50 kgs (110 lbs)	50 kgs (110 lbs)
Lancer, 4dr Sedan 00-03	EU 50 kgs (110 lbs)	50 kgs (110 lbs)
Lancer, 4dr Sedan 00-03	CN 50 kgs (110 lbs)	50 kgs (110 lbs)
Lancer, 4dr Sedan 02-07	US 50 kgs (110 lbs)	50 kgs (110 lbs)
Lancer, 4dr Sedan 03-06	ZA 50 kgs (110 lbs)	50 kgs (110 lbs)

Lancer, 4dr Sedan 03-07	EU	50 kgs (110 lbs)	50 kgs (110 lbs)
Lancer, 4dr Sedan 03-07	CN	50 kgs (110 lbs)	50 kgs (110 lbs)
Lancer, 4dr Sedan Aug 03-Aug 07	NZ	50 kgs (110 lbs)	50 kgs (110 lbs)
Lancer, 4dr Sedan Feb 01-Jul 03	NZ	50 kgs (110 lbs)	50 kgs (110 lbs)
Lancer, 5dr Estate 00-03	EU	50 kgs (110 lbs)	50 kgs (110 lbs)
Lancer, 5dr Estate 00-03	EU	50 kgs (110 lbs)	50 kgs (110 lbs)
Lancer, 5dr Estate 00-03	CN	50 kgs (110 lbs)	50 kgs (110 lbs)
Lancer, 5dr Estate 00-03	CN	50 kgs (110 lbs)	50 kgs (110 lbs)
Lancer, 5dr Wagon Aug 03-Aug 07	NZ	50 kgs (110 lbs)	50 kgs (110 lbs)
Lancer, 5dr Wagon Feb 01-Jul 03	NZ	50 kgs (110 lbs)	50 kgs (110 lbs)
Lancer, 5dr Wagon Feb 01-Jul 03	NZ	50 kgs (110 lbs)	50 kgs (110 lbs)
Legnum, 5dr Wagon 96-03	NZ	50 kgs (110 lbs)	50 kgs (110 lbs)
Montero, 3dr SUV 99-06	EU	50 kgs (110 lbs)	50 kgs (110 lbs)
Montero, 3dr SUV 99-06	CN	50 kgs (110 lbs)	50 kgs (110 lbs)
Montero, 5dr SUV 99-06	EU	75 kgs (165 lbs)	75 kgs (165 lbs)
Nimbus UG, 5dr MPV Nov 98-Jun 04	AU	50 kgs (110 lbs)	50 kgs (110 lbs)
Nimbus, 5dr MPV Nov 98-Jun 04	NZ	50 kgs (110 lbs)	50 kgs (110 lbs)
Outlander, 5dr SUV 03-06	EU	50 kgs (110 lbs)	50 kgs (110 lbs)
Outlander, 5dr SUV Feb 03-Jan 06	AU	50 kgs (110 lbs)	50 kgs (110 lbs)
Pajero IO, 3dr SUV 99-03	ZA	75 kgs (165 lbs)	75 kgs (165 lbs)
Pajero io, 3dr SUV Jul 97-Jul 03	NZ	75 kgs (165 lbs)	75 kgs (165 lbs)
Pajero io, 3dr SUV Mar 99-Jul 03	AU	75 kgs (165 lbs)	75 kgs (165 lbs)
Pajero IO, 5dr SUV 99-03	ZA	75 kgs (165 lbs)	75 kgs (165 lbs)
Pajero IO, 5dr SUV Mar 99-Jul 03	AU	75 kgs (165 lbs)	75 kgs (165 lbs)
Pajero LWB, 5dr SUV 99-06	ZA	75 kgs (165 lbs)	75 kgs (165 lbs)
Pajero LWB, 5dr SUV Mar 07-+	NZ	75 kgs (165 lbs)	75 kgs (165 lbs)
Pajero LWB, 5dr SUV May 00-Oct 06	NZ	75 kgs (165 lbs)	75 kgs (165 lbs)
Pajero NM/NP, 5dr SUV May 00-Feb 07	AU	75 kgs (165 lbs)	75 kgs (165 lbs)
Pajero NS, 5dr SUV Mar 07-+	AU	75 kgs (165 lbs)	75 kgs (165 lbs)
Pajero SWB, 3dr SUV Jun 00-Feb 07	AU	50 kgs (110 lbs)	50 kgs (110 lbs)
Pajero SWB, 3dr SUV Jun 00-Oct 06	NZ	50 kgs (110 lbs)	50 kgs (110 lbs)
Pajero SWB, 3dr SUV Mar 07-+	AU	50 kgs (110 lbs)	50 kgs (110 lbs)
Pajero SWB, 3dr SUV Mar 07-+	NZ	50 kgs (110 lbs)	50 kgs (110 lbs)
Pajero, 5dr SUV 00-07	EU	75 kgs (165 lbs)	75 kgs (165 lbs)
Pajero, 5dr SUV 00-07	CN	75 kgs (165 lbs)	75 kgs (165 lbs)
Pinin, 5dr SUV 98-07	EU	75 kgs (165 lbs)	75 kgs (165 lbs)
Toyota			
Granvia, 4dr MPV 96-+	CN	75 kgs (165 lbs)	75 kgs (165 lbs)
Granvia, 4dr MPV 96-04	NZ	75 kgs (165 lbs)	75 kgs (165 lbs)
Granvia, 4dr MPV 96-04	AU	75 kgs (165 lbs)	75 kgs (165 lbs)
Granvia, 4dr MPV 96-04	EU	75 kgs (165 lbs)	75 kgs (165 lbs)
Regius, 4dr MPV 97-02	NZ	75 kgs (165 lbs)	75 kgs (165 lbs)

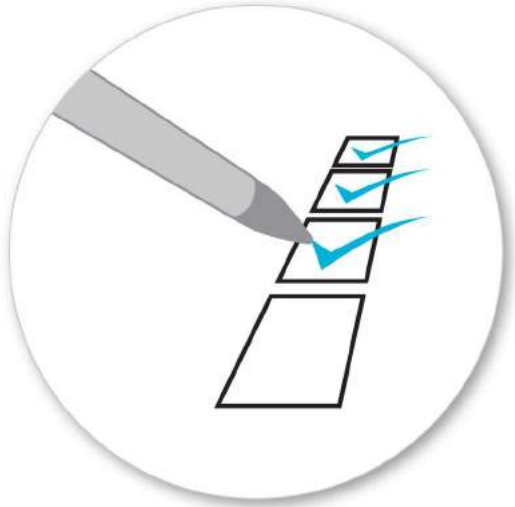


	X					
	A	B	C	1	2	3
Airtrek, 5dr SUV 01-05 (EU)	200mm 7 7/8ths"	1000mm 39 3/8ths"	-	-	-	-
Airtrek, 5dr SUV 01-Jan 06 (NZ)	200mm 7 7/8ths"	1000mm 39 3/8ths"	-	-	-	-
Cedia, 4dr Sedan 03-07 (AU)	-270mm -10 -5/8ths"	460mm 18 1/8ths"	-	816mm 32 1/8ths"	774mm 30 1/2ths"	-
Cedia, 4dr Sedan 03-07 (EU)	-270mm -10 -5/8ths"	460mm 18 1/8ths"	-	816mm 32 1/8ths"	774mm 30 1/2ths"	-
Cedia, 4dr Sedan 03-07 (NZ)	-270mm -10 -5/8ths"	460mm 18 1/8ths"	-	816mm 32 1/8ths"	774mm 30 1/2ths"	-
Cedia, 4dr Sedan 03-07 (CN)	-270mm -10 -5/8ths"	460mm 18 1/8ths"	-	816mm 32 1/8ths"	774mm 30 1/2ths"	-
Cedia, 4dr Sedan Feb 01-Jul 03 (NZ)	-270mm -10 -5/8ths"	460mm 18 1/8ths"	-	816mm 32 1/8ths"	774mm 30 1/2ths"	-
Chariot Grandis, 5dr MPV 98-03 (EU)	-300mm -11 -13/16ths"	550mm 21 5/8ths"	1350mm 53 1/8ths"	830mm 32 11/16ths"	794mm 31 1/4ths"	-
Chariot Grandis, 5dr MPV 98-03 (CN)	-300mm -11 -13/16ths"	550mm 21 5/8ths"	1350mm 53 1/8ths"	830mm 32 11/16ths"	794mm 31 1/4ths"	-
Colt Plus, 5dr Wagon Aug 04-12 (NZ)	-100mm -3 -15/16ths"	660mm 26"	-	812mm 31 15/16ths"	766mm 30 3/16ths"	-
Colt, 5dr Hatch 03-14 (EU)	-100mm -3 -15/16ths"	660mm 26"	-	803mm 31 5/8ths"	760mm 29 15/16ths"	-
Colt, 5dr Hatch Aug 04-14 (AU)	-100mm -3 -15/16ths"	660mm 26"	-	803mm 31 5/8ths"	760mm 29 15/16ths"	-
Colt, 5dr Hatch Dec 03-14 (NZ)	-100mm -3 -15/16ths"	660mm 26"	-	803mm 31 5/8ths"	760mm 29 15/16ths"	-
Delica D5, 5dr MPV 07-+ (NZ)	100mm 3 15/16ths"	800mm 31 1/2ths"	1500mm 59 1/16ths"	1050mm 41 5/16ths"	1017mm 40 1/16ths"	983mm 38 11/16ths"
Delica D5, 5dr MPV 07-+ (NZ)	800mm 31 1/2ths"	700mm 27 9/16ths"	700mm 27 9/16ths"	1050mm 41 5/16ths"	1017mm 40 1/16ths"	983mm 38 11/16ths"

Delica D5, 5dr MPV 07-+ (AU)	100mm 3 15/16ths"	800mm 31 1/2ths"	1500mm 59 1/16ths"	1050mm 41 5/16ths"	1017mm 40 1/16ths"	983mm 38 11/16ths"
Delica D5, 5dr MPV 07-+ (AU)	800mm 31 1/2ths"	700mm 27 9/16ths"	700mm 27 9/16ths"	1050mm 41 5/16ths"	1017mm 40 1/16ths"	983mm 38 11/16ths"
Grandis, 5dr MPV 03-+ (CN)	190mm 7 1/2ths"	970mm 38 3/16ths"	-	846mm 33 5/16ths"	824mm 32 7/16ths"	-
Grandis, 5dr MPV 03-11 (EU)	190mm 7 1/2ths"	970mm 38 3/16ths"	-	846mm 33 5/16ths"	824mm 32 7/16ths"	-
Grandis, 5dr MPV 98-Dec 03 (NZ)	-300mm -11 -13/16ths"	550mm 21 5/8ths"	1350mm 53 1/8ths"	830mm 32 11/16ths"	794mm 31 1/4ths"	-
Grandis, 5dr MPV Sep 04-11 (NZ)	190mm 7 1/2ths"	970mm 38 3/16ths"	-	846mm 33 5/16ths"	824mm 32 7/16ths"	-
Grandis, 5dr MPV Sep 04-11 (AU)	190mm 7 1/2ths"	970mm 38 3/16ths"	-	846mm 33 5/16ths"	824mm 32 7/16ths"	-
Granvia, 4dr MPV 96-+ (CN)	500mm 19 11/16ths"	1100mm 43 5/16ths"	1720mm 67 11/16ths"	1036mm 40 13/16ths"	1036mm 40 13/16ths"	1036mm 40 13/16ths"
Granvia, 4dr MPV 96-04 (NZ)	500mm 19 11/16ths"	1100mm 43 5/16ths"	1720mm 67 11/16ths"	1036mm 40 13/16ths"	1036mm 40 13/16ths"	1036mm 40 13/16ths"
Granvia, 4dr MPV 96-04 (AU)	500mm 19 11/16ths"	1100mm 43 5/16ths"	1720mm 67 11/16ths"	1036mm 40 13/16ths"	1036mm 40 13/16ths"	1036mm 40 13/16ths"
Granvia, 4dr MPV 96-04 (EU)	500mm 19 11/16ths"	1100mm 43 5/16ths"	1720mm 67 11/16ths"	1036mm 40 13/16ths"	1036mm 40 13/16ths"	1036mm 40 13/16ths"
Lancer CG, 4dr Sedan Jun 02-Jul 03 (AU)	-270mm -10 -5/8ths"	460mm 18 1/8ths"	-	816mm 32 1/8ths"	774mm 30 1/2ths"	-
Lancer CH/CS, 4dr Sedan Aug 03-Aug 07 (AU)	-270mm -10 -5/8ths"	460mm 18 1/8ths"	-	816mm 32 1/8ths"	774mm 30 1/2ths"	-
Lancer CH/CS, 5dr Wagon Aug 03-Aug 07 (AU)	-150mm -5 -7/8ths"	600mm 23 5/8ths"	1220mm 48 1/16ths"	810mm 31 7/8ths"	780mm 30 11/16ths"	760mm 29 15/16ths"
Lancer EVO VII, 4dr Sedan Mar 01-Jan 03 (AU)	-260mm -10 -1/4ths"	440mm 17 5/16ths"	-	820mm 32 5/16ths"	770mm 30 5/16ths"	-
Lancer EVO VII, 4dr Sedan Mar 01-Jan 03 (NZ)	-260mm -10 -1/4ths"	440mm 17 5/16ths"	-	820mm 32 5/16ths"	770mm 30 5/16ths"	-
Lancer EVO VII, 4dr Sedan Mar 01-Jan 03 (EU)	-260mm -10 -1/4ths"	440mm 17 5/16ths"	-	820mm 32 5/16ths"	770mm 30 5/16ths"	-
Lancer EVO VIII, 4dr Sedan 03-05 (AU)	-260mm -10 -1/4ths"	440mm 17 5/16ths"	-	820mm 32 5/16ths"	770mm 30 5/16ths"	-
Lancer EVO VIII, 4dr Sedan 03-05 (NZ)	-260mm -10 -1/4ths"	440mm 17 5/16ths"	-	820mm 32 5/16ths"	770mm 30 5/16ths"	-
Lancer EVO VIII, 4dr Sedan 03-05 (EU)	-260mm -10 -1/4ths"	440mm 17 5/16ths"	-	820mm 32 5/16ths"	770mm 30 5/16ths"	-
Lancer, 4dr Sedan 00-03 (ZA)	-270mm -10 -5/8ths"	460mm 18 1/8ths"	-	816mm 32 1/8ths"	774mm 30 1/2ths"	-
Lancer, 4dr Sedan 00-03 (EU)	-270mm -10 -5/8ths"	460mm 18 1/8ths"	-	816mm 32 1/8ths"	774mm 30 1/2ths"	-
Lancer, 4dr Sedan 00-03 (CN)	-270mm -10 -5/8ths"	460mm 18 1/8ths"	-	816mm 32 1/8ths"	774mm 30 1/2ths"	-
Lancer, 4dr Sedan 02-07 (US)	-270mm -10 -5/8ths"	460mm 18 1/8ths"	-	816mm 32 1/8ths"	774mm 30 1/2ths"	-
Lancer, 4dr Sedan 03-06 (ZA)	-270mm -10 -5/8ths"	460mm 18 1/8ths"	-	816mm 32 1/8ths"	774mm 30 1/2ths"	-
Lancer, 4dr Sedan 03-07 (EU)	-270mm -10 -5/8ths"	460mm 18 1/8ths"	-	816mm 32 1/8ths"	774mm 30 1/2ths"	-
Lancer, 4dr Sedan 03-07 (CN)	-270mm -10 -5/8ths"	460mm 18 1/8ths"	-	816mm 32 1/8ths"	774mm 30 1/2ths"	-
Lancer, 4dr Sedan Aug 03-Aug 07 (NZ)	-270mm -10 -5/8ths"	460mm 18 1/8ths"	-	816mm 32 1/8ths"	774mm 30 1/2ths"	-
Lancer, 4dr Sedan Feb 01-Jul 03 (NZ)	-270mm -10 -5/8ths"	460mm 18 1/8ths"	-	816mm 32 1/8ths"	774mm 30 1/2ths"	-
Lancer, 5dr Estate 00-03 (EU)	-135mm -5 -5/16ths"	615mm 24 3/16ths"	1230mm 48 7/16ths"	805mm 31 11/16ths"	775mm 30 1/2ths"	760mm 29 15/16ths"
Lancer, 5dr Estate 00-03 (EU)	-135mm -5 -5/16ths"	615mm 24 3/16ths"	1230mm 48 7/16ths"	810mm 31 7/8ths"	775mm 30 1/2ths"	760mm 29 15/16ths"
Lancer, 5dr Estate 00-03 (CN)	-135mm -5 -5/16ths"	615mm 24 3/16ths"	1230mm 48 7/16ths"	805mm 31 11/16ths"	775mm 30 1/2ths"	760mm 29 15/16ths"
Lancer, 5dr Estate 00-03 (CN)	-135mm -5 -5/16ths"	615mm 24 3/16ths"	1230mm 48 7/16ths"	810mm 31 7/8ths"	775mm 30 1/2ths"	760mm 29 15/16ths"
Lancer, 5dr Wagon Aug 03-Aug 07 (NZ)	-150mm -5 -7/8ths"	600mm 23 5/8ths"	1220mm 48 1/16ths"	810mm 31 7/8ths"	780mm 30 11/16ths"	760mm 29 15/16ths"
Lancer, 5dr Wagon Feb 01-Jul 03 (NZ)	-135mm	615mm	1230mm	805mm	775mm	760mm

Lancer, 5dr Wagon Feb 01-Jul 03 (NZ)	-5 -5/16ths"	24 3/16ths"	48 7/16ths"	31 11/16ths"	30 1/2ths"	29 15/16ths"
	-135mm	615mm	1230mm	810mm	775mm	760mm
Legnum, 5dr Wagon 96-03 (NZ)	-5 -5/16ths"	24 3/16ths"	48 7/16ths"	31 7/8ths"	30 1/2ths"	29 15/16ths"
	150mm	800mm	-	755mm	720mm	-
	5 7/8ths"	31 1/2ths"	-	29 3/4ths"	28 3/8ths"	-
Montero, 3dr SUV 99-06 (EU)	-100mm	670mm	-	900mm	894mm	-
	-3 -15/16ths"	26 3/8ths"	-	35 7/16ths"	35 3/16ths"	-
Montero, 3dr SUV 99-06 (CN)	-100mm	670mm	-	900mm	894mm	-
	-3 -15/16ths"	26 3/8ths"	-	35 7/16ths"	35 3/16ths"	-
Montero, 5dr SUV 99-06 (EU)	-50mm	700mm	1450mm	900mm	900mm	900mm
	-1 -15/16ths"	27 9/16ths"	57 1/16ths"	35 7/16ths"	35 7/16ths"	35 7/16ths"
Nimbus UG, 5dr MPV Nov 98-Jun 04 (AU)	-300mm	550mm	1350mm	830mm	794mm	-
	-11 -13/16ths"	21 5/8ths"	53 1/8ths"	32 11/16ths"	31 1/4ths"	-
Nimbus, 5dr MPV Nov 98-Jun 04 (NZ)	-300mm	550mm	1350mm	830mm	794mm	-
	-11 -13/16ths"	21 5/8ths"	53 1/8ths"	32 11/16ths"	31 1/4ths"	-
Outlander, 5dr SUV 03-06 (EU)	-	-	-	-	-	-
	-	-	-	-	-	-
Outlander, 5dr SUV Feb 03-Jan 06 (AU)	-	-	-	-	-	-
	-	-	-	-	-	-
Pajero IO, 3dr SUV 99-03 (ZA)	-	-	-	-	-	-
	-	-	-	-	-	-
Pajero io, 3dr SUV Jul 97-Jul 03 (NZ)	-	-	-	-	-	-
	-	-	-	-	-	-
Pajero io, 3dr SUV Mar 99-Jul 03 (AU)	-	-	-	-	-	-
	-	-	-	-	-	-
Pajero IO, 5dr SUV 99-03 (ZA)	-	-	-	-	-	-
	-	-	-	-	-	-
Pajero IO, 5dr SUV Mar 99-Jul 03 (AU)	-	-	-	-	-	-
	-	-	-	-	-	-
Pajero LWB, 5dr SUV 99-06 (ZA)	-50mm	700mm	1450mm	900mm	900mm	900mm
	-1 -15/16ths"	27 9/16ths"	57 1/16ths"	35 7/16ths"	35 7/16ths"	35 7/16ths"
Pajero LWB, 5dr SUV Mar 07-+ (NZ)	-50mm	700mm	1450mm	900mm	900mm	900mm
	-1 -15/16ths"	27 9/16ths"	57 1/16ths"	35 7/16ths"	35 7/16ths"	35 7/16ths"
Pajero LWB, 5dr SUV May 00-Oct 06 (NZ)	-50mm	700mm	1450mm	900mm	900mm	900mm
	-1 -15/16ths"	27 9/16ths"	57 1/16ths"	35 7/16ths"	35 7/16ths"	35 7/16ths"
Pajero NM/NP, 5dr SUV May 00-Feb 07 (AU)	-50mm	700mm	1450mm	900mm	900mm	900mm
	-1 -15/16ths"	27 9/16ths"	57 1/16ths"	35 7/16ths"	35 7/16ths"	35 7/16ths"
Pajero NS, 5dr SUV Mar 07-+ (AU)	-50mm	700mm	1450mm	900mm	900mm	900mm
	-1 -15/16ths"	27 9/16ths"	57 1/16ths"	35 7/16ths"	35 7/16ths"	35 7/16ths"
Pajero SWB, 3dr SUV Jun 00-Feb 07 (AU)	-100mm	670mm	-	900mm	894mm	-
	-3 -15/16ths"	26 3/8ths"	-	35 7/16ths"	35 3/16ths"	-
Pajero SWB, 3dr SUV Jun 00-Oct 06 (NZ)	-100mm	670mm	-	900mm	894mm	-
	-3 -15/16ths"	26 3/8ths"	-	35 7/16ths"	35 3/16ths"	-
Pajero SWB, 3dr SUV Mar 07-+ (AU)	-100mm	670mm	-	900mm	894mm	-
	-3 -15/16ths"	26 3/8ths"	-	35 7/16ths"	35 3/16ths"	-
Pajero SWB, 3dr SUV Mar 07-+ (NZ)	-100mm	670mm	-	900mm	894mm	-
	-3 -15/16ths"	26 3/8ths"	-	35 7/16ths"	35 3/16ths"	-
Pajero, 5dr SUV 00-07 (EU)	-50mm	700mm	1450mm	900mm	900mm	900mm
	-1 -15/16ths"	27 9/16ths"	57 1/16ths"	35 7/16ths"	35 7/16ths"	35 7/16ths"
Pajero, 5dr SUV 00-07 (CN)	-50mm	700mm	1450mm	900mm	900mm	900mm
	-1 -15/16ths"	27 9/16ths"	57 1/16ths"	35 7/16ths"	35 7/16ths"	35 7/16ths"
Pinin, 5dr SUV 98-07 (EU)	-	-	-	-	-	-
	-	-	-	-	-	-
Regius, 4dr MPV 97-02 (NZ)	500mm	1100mm	1720mm	-	-	-
	19 11/16ths"	43 5/16ths"	67 11/16ths"	-	-	-

First Time Installation



- Remove parts from inside the package and check. Contact your dealer if any parts are missing or damaged.



- This kit fits type A, B, C and D.
- These instructions show type A crossbar fitted. They also apply to type B, C and D.



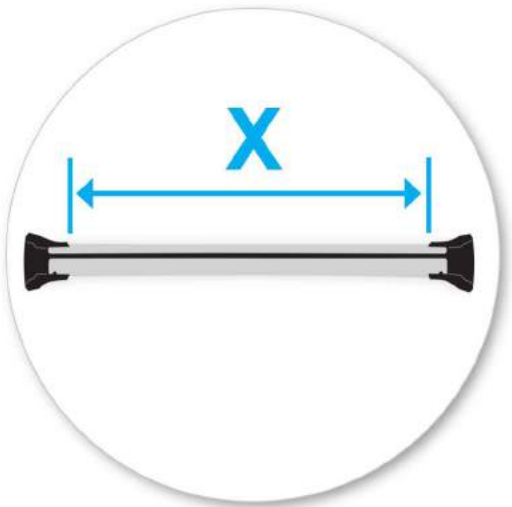
- Use keys to remove covers.



- Use hex screwdriver to reverse adjusting screw 10 turns.



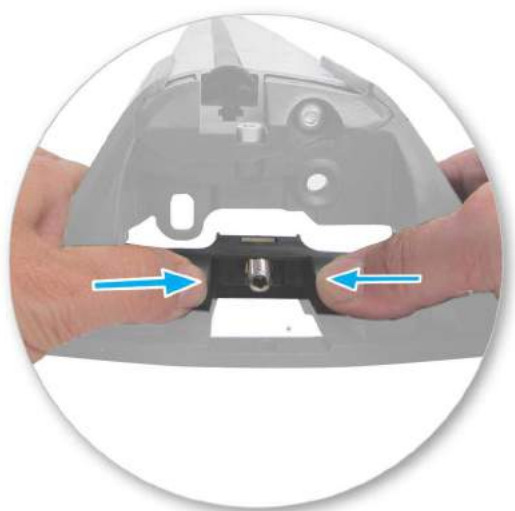
- Press adjusting screw and pull crossbar legs out. Refer to the crossbar instructions for crossbar adjustment method.
- Ensure each end of the crossbar is adjusted equally.



- Adjust crossbar in or out to suit vehicle. Refer to the crossbar instructions for crossbar adjustment.
- Ensure that the crossbar is adjusted evenly at both ends.
- Please check the front of this manual for information relating specifically to your vehicle.



- Tighten adjusting screw to 2 Nm (1.5 ft lb) hand tight.



- Remove plastic clamp block by gripping bar leg with fingers and push firmly with thumbs until clamp block drops out behind leg.



- Select plastic internal block (from fitting kit) and insert into foot.



- Fit rubber pads (supplied with fitting kit) to foot. Pad may vary in shape to that shown.



- Make sure the pad fits into the holes underneath the foot.
- Repeat for all legs.

Fitment to Mitsubishi Delica - FLUSH BAR ONLY

Configuration A:



- Use the following crossbar lengths for Configuration A:
1 = S9
2 = S9

Configuration B:



- Use the following crossbar lengths for Configuration B:
2 = S9
3 = S8

Configuration C:



- Use the following crossbar lengths for Configuration C:
1 = S9
2 = S9
3 = S8

Fitment



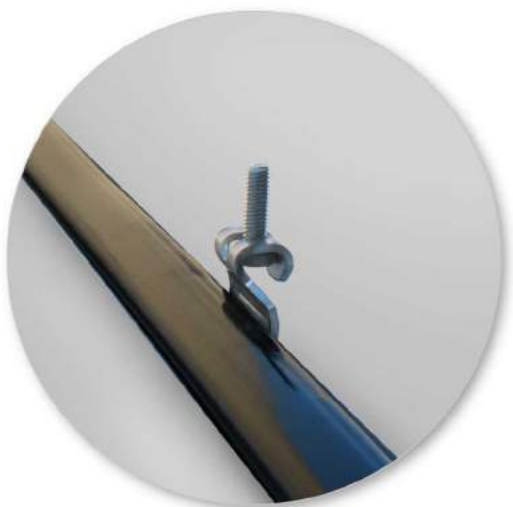
- Locate plastic ditch mouldings on roof.
- Run your finger along the inboard edge of the moulding and locate fixed points.



- Pull ditch moulding back towards you.
- Hook clamps into the fixed points on the vehicle.



- Ensure internal clamp sits upright.



- Repeat for all four positions.



- Place washer over clamp thread as shown.
- Ensure that tab is inserted into clamp block.



- Tighten the plastic knob. The side with the nut showing should be facing up.



- Ensure the plastic knob is in the position shown when fully tightened.
- Repeat for all legs.



- Check crossbar is securely attached to the vehicle.
- Use keys to fit and lock covers

CAUTION: Recheck all fasteners immediately after a load is applied to the crossbars. Regularly check screws are tight.

Maintenance

- Clean the car roof and surfaces of the product that will be in contact with the car roof.
- Follow the fitting instructions for fitting the product to your vehicle. Make sure all steps are carried out in order.
- Set crossbars a minimum distance of 700mm (27 1/2") apart where no other distance is specified in the fitting instructions. This is especially important when carrying long loads.
- Check unit is securely attached whenever you refit it to the vehicle. If the unit feels loose, refer to the fitting instructions and readjust.
- Some glass/panoramic roofs and radio antennae may not be able to be used when the product is fitted.
- Do not modify this product.
- Refer to the maximum permitted load capacity specified in the fitting instructions. Do not exceed the vehicle manufacturers roof load rating if it is lower than the maximum load capacity specified in the fitting instructions.
- Loads should not overhang the sides of the product and be evenly distributed with the lowest possible centre of gravity.
- Long loads should be secured with non-elastic straps to the front and rear of the vehicle.
- Objects with pointed ends (e.g. ski poles) should be carried with the pointed ends to the rear of the vehicle.
- Remove all loose or removable objects from the load prior to loading.
- Make sure all loads are securely fastened with non-elastic straps. Check regularly during longer journeys.
- A loaded roof rack system can alter the performance of your vehicle. Be especially aware of the effects of side winds, changing of direction, and braking performance. Avoid rapid acceleration and deceleration. Drive carefully.
- Note that the total height of the vehicle increases when upright loads are carried.
- Products should be locked during transport if they have locks fitted.

- Check and replace worn out or defective parts.
 - Keep the product clean and maintained.
 - Never drive into a car wash with the roof rack system fitted.
 - Lubricate locks and adjusting screws at regular intervals.
 - Remove the products from the vehicle when not in use. Make sure all loose parts are stored safely.
-

- Yakima Australia Pty Ltd
17 Hinkler Court
Brendale QLD 4500
AUSTRALIA

www.prorack.com.au
www.prorack.co.nz

WARRANTY & DISCLAIMER

Yakima Australia Pty Ltd ABN 58 154 440 221
17 Hinkler Court, Brendale QLD 4500
Tel: 0800 4776 722 (NZ) or 1800 143 548 (AU)
Email: warranty@yakima.co.nz or warranty@yakima.com.au

1. Where the product is supplied to the customer for other than business purposes within the meaning of section 43 of the New Zealand Consumer Guarantees Act 1993, the provisions of that Act shall apply. It is important that anyone who fits or uses this product does so in accordance with the manufacturer's instructions.
2. Where the product is supplied to the customer for business purposes within the meaning of section 43 of the New Zealand Consumer Guarantees Act 1993, the provisions of that Act and all other representations or terms (including any conditions or warranty expressed or implied by law, statute or otherwise) not expressly included in this leaflet are hereby expressly excluded shall have no effect and the clauses (a) and (b) shall apply.
3. Subject to the **Additional Information (Australia)**, where the product is supplied and purchased in Australia, the following shall apply:
 - a. THE SUPPLIER WARRANTS the product to be free from defects in materials and/or workmanship for a period of three (3) years from the date of original purchase (the warranty period). Proof of purchase is required. Subject to the limitations and exclusions set out below, the Supplier hereby agrees to remedy any defects in materials or workmanship becoming apparent during the warranty period, by replacing or repairing any defective product or component (at its option) free of charge to the purchaser in respect of replacement parts or labour. Any defective product or component must be notified and where practicable, returned at the purchaser's expense to the Supplier immediately upon discovery of the alleged defect and no attempt made on the part of the purchaser to repair it.
 - b. EXCEPTIONS, EXCLUSIONS AND LIMITATIONS TO WARRANTY. The product and/or its components must be fitted/ assembled and loaded in accordance with the Supplier's written instructions and any requirements set out in the car's owner manual. This warranty does not cover defects, loss or damage resulting from circumstances beyond the Supplier's control including, but not limited to misuse, overloading, or failure to assemble and/or fit the product or component in accordance with the Supplier's written instructions. Nor does the warranty cover defects, loss or damage resulting from accidents, unlawful use of the vehicle or defects/inconsistencies in the vehicle on which the product or component is fitted. Liability for direct, indirect, special, punitive, incidental, exemplary, contractual or consequential damage or loss arising from defects, faulty materials or design omissions or negligence or workmanship in the product or its components is hereby expressly excluded subject to the following. Certain Commonwealth legislation, including the Competition and Consumer Act 2010 (Cth), and other State and Territorial legislation confers upon purchasers rights which cannot be excluded from or be restricted or modified by contract. Any conditions, guarantees and/or warranties implied by law and incapable of exclusion are deemed to be expressly incorporated herein. Nothing herein contained is intended nor shall be permitted to be inconsistent with any such conditions, guarantees and/or warranties. To the extent permitted by legislation all conditions, guarantees and/or warranties such as implied warranties which are capable of exclusion are hereby expressly excluded and negated.

ADDITIONAL INFORMATION (AUSTRALIA)

This information should be read in conjunction with clauses (a) and (b).

IMPORTANT LEGAL NOTICE

Our goods come with guarantees that cannot be excluded under the Australian Consumer Law. You are entitled to a replacement or refund for a major failure and for compensation for any other reasonably foreseeable loss or damage. You are also entitled to have the goods repaired or replaced if the goods fail to be of acceptable quality and the failure does not amount to a major failure.

This warranty does not change or take away your rights under the Australian Consumer Law. Your right to claim under this policy for the benefits covered is in addition to other rights and remedies you have under the law in relation to the product.

Where you become aware of defects in materials or of workmanship, and wish to make a claim under this warranty you must do the following for the warranty to be honoured by your Prorack dealer or Yakima Australia Pty Ltd ABN 58 154 440 221 (Yakima):

1. Make a claim as soon as practicable by contacting the Prorack dealer from whom you purchased the product, who will give you instructions on how to proceed.
2. If you are unable to contact the Prorack dealer, or the dealer is not able to remedy the defect, you should contact Yakima as soon as practicable at:

Call: 0800 4776 722 (NZ) or 1800 143 548 (AU)
 Email: warranty@yakima.co.nz or warranty@yakima.com.au

Alternately, you can write to Yakima at 17 Hinkler Court, Brendale QLD Australia 4500 in order to make a claim under your warranty.

3. Upon contacting Yakima directly, you should explain as fully as possible the defect. A Yakima representative will provide you with appropriate instructions for returning the product together with a copy of the original purchase invoice or receipt to Yakima.
4. The costs and expenses associated with making a claim under your warranty including the costs of complying with those instructions and of returning the product to Yakima or the Prorack dealer will be borne by you.

Following receipt of the product and purchase invoice or receipt, Yakima or the Prorack dealer must inspect the product to determine whether the claim falls within the warranty. If:

- 4.1 the claim falls within the warranty, Yakima will remedy any defects in materials or workmanship becoming apparent during the warranty period, by replacing or repairing any defective product or component (at its option) free of charge to the purchaser in respect of replacement parts or labour.
- 4.2 the claim does not fall within the warranty, Yakima will return the product to you at your expense.