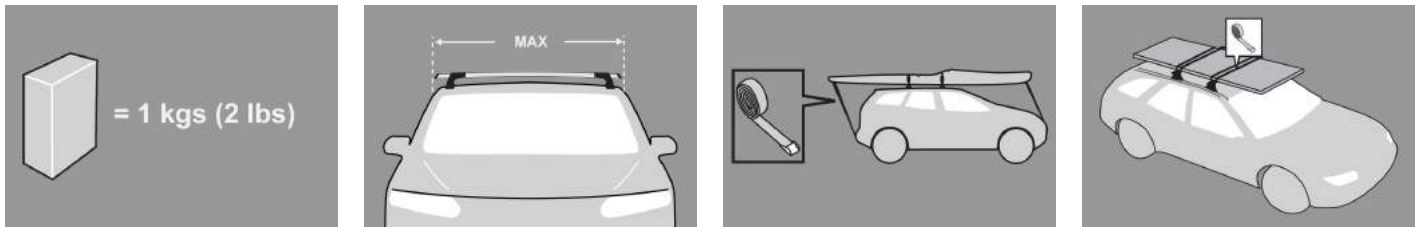
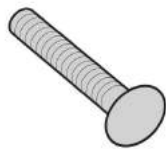


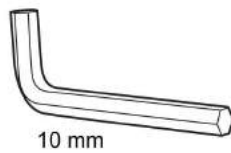
EN Fitting Instructions for Basic Carrier



x 8



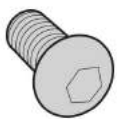
x 4



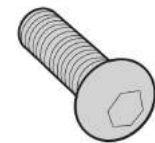
x 1



x 4



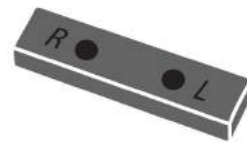
x 4



x 4



x 4



x 4



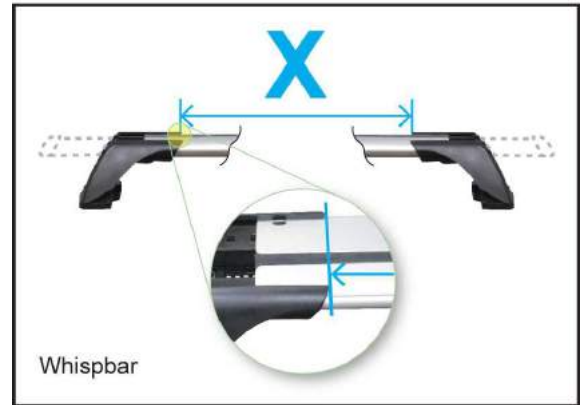
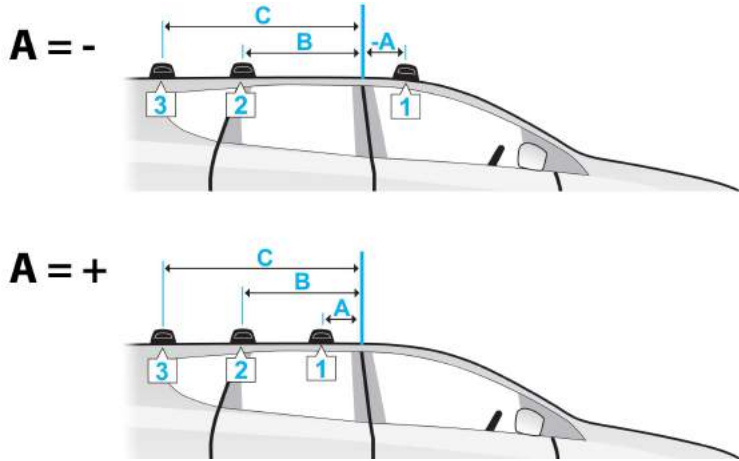
x 4



x 4



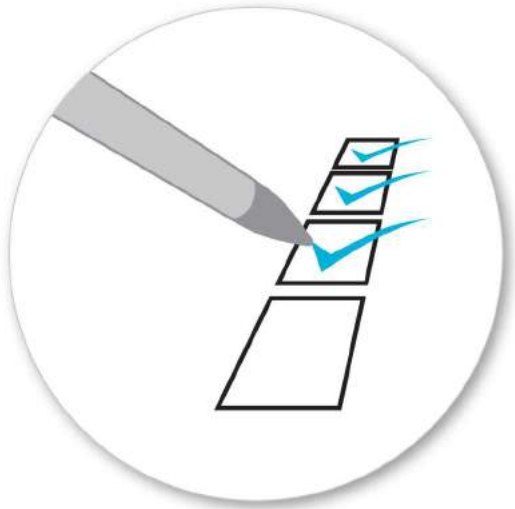
		MAX kgs (lbs)	
	🇫🇮	W/P	WHD
Subaru			
Forester, 5dr Estate 02-08	ZA	60 kgs (132 lbs)	60 kgs (132 lbs)
Forester, 5dr Estate 03-08	EU	60 kgs (132 lbs)	60 kgs (132 lbs)
Forester, 5dr Estate 03-08	CN	60 kgs (132 lbs)	60 kgs (132 lbs)
Forester, 5dr Estate 97-02	ZA	60 kgs (132 lbs)	60 kgs (132 lbs)
Forester, 5dr Estate 97-02	EU	60 kgs (132 lbs)	60 kgs (132 lbs)
Forester, 5dr Wagon 02-08	US	60 kgs (132 lbs)	60 kgs (132 lbs)
Forester, 5dr Wagon Aug 97-Jun 02	AU	60 kgs (132 lbs)	60 kgs (132 lbs)
Forester, 5dr Wagon Feb 02-Feb 08	AU	60 kgs (132 lbs)	60 kgs (132 lbs)
Forester, 5dr Wagon Jul 97-Apr 02	NZ	60 kgs (132 lbs)	60 kgs (132 lbs)
Forester, 5dr Wagon May 02-Feb 08	NZ	60 kgs (132 lbs)	60 kgs (132 lbs)
Lancaster, 5dr Wagon 00-03	NZ	60 kgs (132 lbs)	60 kgs (132 lbs)
Legacy, 5dr Estate 04-09	EU	60 kgs (132 lbs)	60 kgs (132 lbs)
Legacy, 5dr Estate 04-09	CN	60 kgs (132 lbs)	60 kgs (132 lbs)
Legacy, 5dr Wagon 05-07	US	60 kgs (132 lbs)	60 kgs (132 lbs)
Legacy, 5dr Wagon 98-04	NZ	75 kgs (165 lbs)	75 kgs (165 lbs)
Legacy, 5dr Wagon Sep 03-Aug 09	NZ	60 kgs (132 lbs)	60 kgs (132 lbs)
Liberty, 5dr Wagon Sep 03-Aug 09	AU	60 kgs (132 lbs)	60 kgs (132 lbs)
Outback, 5dr Estate 03-09	ZA	60 kgs (132 lbs)	60 kgs (132 lbs)
Outback, 5dr Estate 04-09	EU	60 kgs (132 lbs)	60 kgs (132 lbs)
Outback, 5dr Estate 04-09	CN	60 kgs (132 lbs)	60 kgs (132 lbs)
Outback, 5dr Estate 09-Dec 14	ZA	60 kgs (132 lbs)	60 kgs (132 lbs)
Outback, 5dr Estate 10-Dec 14	EU	60 kgs (132 lbs)	60 kgs (132 lbs)
Outback, 5dr Estate 10-Dec 14	CN	60 kgs (132 lbs)	60 kgs (132 lbs)
Outback, 5dr Estate 15-+	EU	75 kgs (165 lbs)	75 kgs (165 lbs)
Outback, 5dr Estate 15-+	CN	75 kgs (165 lbs)	75 kgs (165 lbs)
Outback, 5dr Wagon Sep 03-Aug 09	AU	60 kgs (132 lbs)	60 kgs (132 lbs)
Outback, 5dr Wagon Sep 03-Aug 09	NZ	60 kgs (132 lbs)	60 kgs (132 lbs)
Outback, 5dr Wagon Sep 09-Dec 14	NZ	60 kgs (132 lbs)	60 kgs (132 lbs)
Outback, 5dr Wagon Sep 09-Dec 14	AU	60 kgs (132 lbs)	60 kgs (132 lbs)
Honda			
Ridgeline Crew Cab, 4dr Truck 06-+	US	75 kgs (165 lbs)	75 kgs (165 lbs)



	A	B	C	X		
				1	2	3
Forester, 5dr Estate 02-08 (ZA)	-	600mm 23 5/8ths"	-	790mm 31 1/8ths"	765mm 30 1/8ths"	-
Forester, 5dr Estate 03-08 (EU)	-	600mm 23 5/8ths"	-	790mm 31 1/8ths"	765mm 30 1/8ths"	-
Forester, 5dr Estate 03-08 (CN)	-	600mm 23 5/8ths"	-	790mm 31 1/8ths"	765mm 30 1/8ths"	-
Forester, 5dr Estate 97-02 (ZA)	-	600mm 23 5/8ths"	-	782mm 30 13/16ths"	752mm 29 5/8ths"	-
Forester, 5dr Estate 97-02 (EU)	-	600mm 23 5/8ths"	-	782mm 30 13/16ths"	752mm 29 5/8ths"	-
Forester, 5dr Wagon 02-08 (US)	-	600mm 23 5/8ths"	-	790mm 31 1/8ths"	765mm 30 1/8ths"	-
Forester, 5dr Wagon Aug 97-Jun 02 (AU)	-	600mm 23 5/8ths"	-	782mm 30 13/16ths"	752mm 29 5/8ths"	-
Forester, 5dr Wagon Feb 02-Feb 08 (AU)	-	600mm 23 5/8ths"	-	790mm 31 1/8ths"	765mm 30 1/8ths"	-
Forester, 5dr Wagon Jul 97-Apr 02 (NZ)	-	600mm 23 5/8ths"	-	782mm 30 13/16ths"	752mm 29 5/8ths"	-
Forester, 5dr Wagon May 02-Feb 08 (NZ)	-	600mm 23 5/8ths"	-	790mm 31 1/8ths"	765mm 30 1/8ths"	-
Lancaster, 5dr Wagon 00-03 (NZ)	-	-	-	-	-	-
Legacy, 5dr Estate 04-09 (EU)	170mm 6 11/16ths"	900mm 35 7/16ths"	-	745mm 29 5/16ths"	685mm 26 15/16ths"	-
Legacy, 5dr Estate 04-09 (CN)	170mm 6 11/16ths"	900mm 35 7/16ths"	-	745mm 29 5/16ths"	685mm 26 15/16ths"	-
Legacy, 5dr Wagon 05-07 (US)	170mm 6 11/16ths"	900mm 35 7/16ths"	-	745mm 29 5/16ths"	685mm 26 15/16ths"	-
Legacy, 5dr Wagon 98-04 (NZ)	-	-	-	-	-	-

Legacy, 5dr Wagon Sep 03-Aug 09 (NZ)	170mm 6 11/16ths"	900mm 35 7/16ths"	- -	745mm 29 5/16ths"	685mm 26 15/16ths"	- -
Liberty, 5dr Wagon Sep 03-Aug 09 (AU)	170mm 6 11/16ths"	900mm 35 7/16ths"	- -	745mm 29 5/16ths"	685mm 26 15/16ths"	- -
Outback, 5dr Estate 03-09 (ZA)	180mm 7 1/16ths"	960mm 37 13/16ths"	- -	718mm 28 1/4ths"	670mm 26 3/8ths"	- -
Outback, 5dr Estate 04-09 (EU)	180mm 7 1/16ths"	960mm 37 13/16ths"	- -	718mm 28 1/4ths"	670mm 26 3/8ths"	- -
Outback, 5dr Estate 04-09 (CN)	180mm 7 1/16ths"	960mm 37 13/16ths"	- -	718mm 28 1/4ths"	670mm 26 3/8ths"	- -
Outback, 5dr Estate 09-Dec 14 (ZA)	130mm 5 1/8ths"	830mm 32 11/16ths"	- -	860mm 33 7/8ths"	840mm 33 1/16ths"	- -
Outback, 5dr Estate 10-Dec 14 (EU)	130mm 5 1/8ths"	830mm 32 11/16ths"	- -	860mm 33 7/8ths"	840mm 33 1/16ths"	- -
Outback, 5dr Estate 10-Dec 14 (CN)	130mm 5 1/8ths"	830mm 32 11/16ths"	- -	860mm 33 7/8ths"	840mm 33 1/16ths"	- -
Outback, 5dr Estate 15-+ (EU)	5mm 0 3/16ths"	740mm 29 1/8ths"	- -	835mm 32 7/8ths"	820mm 32 5/16ths"	- -
Outback, 5dr Estate 15-+ (CN)	5mm 0 3/16ths"	740mm 29 1/8ths"	- -	835mm 32 7/8ths"	820mm 32 5/16ths"	- -
Outback, 5dr Wagon Sep 03-Aug 09 (AU)	180mm 7 1/16ths"	960mm 37 13/16ths"	- -	718mm 28 1/4ths"	670mm 26 3/8ths"	- -
Outback, 5dr Wagon Sep 03-Aug 09 (NZ)	180mm 7 1/16ths"	960mm 37 13/16ths"	- -	718mm 28 1/4ths"	670mm 26 3/8ths"	- -
Outback, 5dr Wagon Sep 09-Dec 14 (NZ)	130mm 5 1/8ths"	830mm 32 11/16ths"	- -	860mm 33 7/8ths"	840mm 33 1/16ths"	- -
Outback, 5dr Wagon Sep 09-Dec 14 (AU)	130mm 5 1/8ths"	830mm 32 11/16ths"	- -	860mm 33 7/8ths"	840mm 33 1/16ths"	- -
Ridgeline Crew Cab, 4dr Truck 06-+ (US)	-150mm -5 -7/8ths"	500mm 19 11/16ths"	- -	870mm 34 1/4ths"	870mm 34 1/4ths"	- -

First Time Installation



- Remove parts from inside the package and check. Contact your dealer if any parts are missing or damaged.



- This kit fits type A, B, C and D.
- These instructions show type A crossbar fitted. They also apply to type B, C and D.



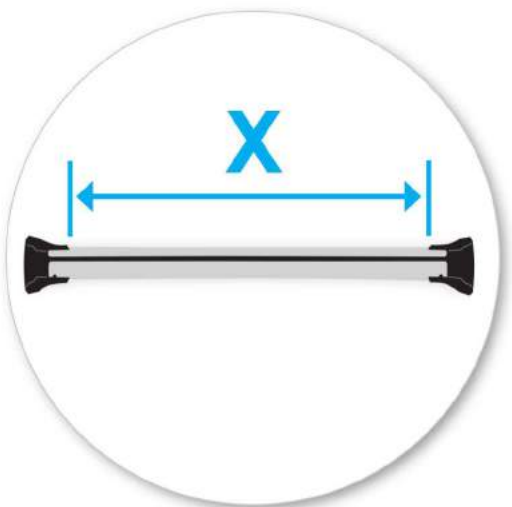
- Use keys to remove covers.



- Use hex screwdriver to reverse adjusting screw 10 turns.



- Press adjusting screw and pull crossbar legs out. Refer to the crossbar instructions for crossbar adjustment method.
- Ensure each end of the crossbar is adjusted equally.



- Please check the front of this manual for information relating specifically to your vehicle.



- Remove plastic clamp block by gripping bar leg with fingers and push firmly with thumbs until clamp block drops out behind leg.



- Remove both pins from each leg. Use tapered end of spanner located inside left hand cover to assist.



- Detach foot from leg. Store loose parts in a safe place.
- Repeat for all legs.



- Assemble metal loadplate and rubber pad from the fitting kit.
- Repeat for all four items.



- Assemble metal loadplate into leg. Ensure loadplate interlocks with the leg.



- Using short capscrew and washer, secure assembly onto leg (use Hex Screwdriver supplied with crossbar to assist)
- Repeat for all legs.

**Subaru Legacy / Liberty 5dr Wagon 03-09 /
Subaru Legacy 05-07 (US): page 12.**

Subaru Outback 5dr Estate 15+: page 14.



- Pull rubber pad back slightly and insert location peg into the rear position on the metal loadplate. Peg will click into place.



- Place crossbar on vehicle. Minimum recommended spacing between the bars is 700mm (27 1/2") (unless otherwise stated).
- Crossbar can be positioned anywhere along the roof rail.
- Make sure there is no interference between what you intend to carry with aerials, sunroof or tailgate.



- Ensure location peg engages the inner side of the rails.
- Adjust crossbar in or out to suit vehicle. Refer to the crossbar instructions for crossbar adjustment.
- Ensure that the crossbar is adjusted evenly at both ends.



- Tighten adjusting screw to 5 Nm (3.7 ft lb) hand tight.



- Temporarily mark with masking tape or pencil the position of crossbars on the rail.



- Remove crossbar off vehicle and turn upside down. Select metal clamp and fit small tongue into position 1 marked on the leg.



- Swing clamp towards metal loadplate and check clamp tongue is engaged into position.



- Select coach bolt and insert through metal clamp slot.



- While holding clamp and coach bolt, turn crossbar over to upright position and loosely assemble plastic knob to the coach bolt. Do not start to tighten.
- Repeat for all legs.

Fitment



- Place crossbars back onto vehicle roof by placing one end of crossbar on the rail and swing the other into previously marked position.



- Ensure the clamp engages correctly on inside of roof rail.



- Tighten the plastic knob. Large Hex Key can be used to help tightening knob.
- Do not over tighten.
- Ensure plastic red knob is vertical when fully tightened.



- Check crossbar is securely attached to the vehicle.
- Use keys to fit and lock covers

Fitment to Subaru Legacy or Liberty 5dr Estate 03-09 / Subaru Legacy 05-07 (US) ONLY

- Open or remove fixed-point covers.



- Select plastic packer blocks from fitting kit and insert into fixed-points. Blocks have L & R which should be read from beside vehicle. "L" should point to your left and "R" should point to your right.





- Position crossbar so hole in centre of metal loadplate lines up through packer block with threaded insert in fixed-point. If standing on the right side of vehicle, use hole marked "R". If on the left use hole marked "L".
- Tighten adjusting screw to 5 Nm (3.7 ft lb) hand tight.



- When fitting type B crossbars, tighten using Hex Key located inside one of the right hand side covers to assist.
- Using long cap screw and washer, secure assembly onto leg (use Hex Screwdriver supplied with crossbar to assist).



- Check crossbar is securely attached to the vehicle.
- Use keys to fit and lock covers

Fitment to Subaru Outback 5dr Estate 15+ ONLY



- Turn crossbar upside down. Select metal clamp and fit small tongue into position 2 marked on the leg.



- Swing clamp towards metal loadplate and check clamp tongue is engaged into position.



- Select coach bolt and insert through metal clamp slot.



- While holding clamp and coach bolt, turn crossbar over to upright position and loosely assemble plastic knob to the coach bolt. Do not start to tighten.
- Repeat for all legs.

Fitment



- Place crossbars on vehicle roof by placing one end of crossbar on the rail and swing the other crossbar into position.



- Please check the front of this manual for information relating specifically to your vehicle.



- Ensure the clamp engages correctly on inside of roof rail.



- Tighten the plastic knob. Large Hex Key can be used to help tightening knob.
- Do not over tighten.
- Ensure plastic red knob is vertical when fully tightened.



- Check crossbar is securely attached to the vehicle.
- Use keys to fit and lock covers

CAUTION: Recheck all fasteners immediately after a load is applied to the crossbars. Regularly check screws are tight.

Maintenance

- Clean the car roof and surfaces of the product that will be in contact with the car roof.
- Follow the fitting instructions for fitting the product to your vehicle. Make sure all steps are carried out in order.
- Set crossbars a minimum distance of 700mm (27 1/2") apart where no other distance is specified in the fitting instructions. This is especially important when carrying long loads.
- Check unit is securely attached whenever you refit it to the vehicle. If the unit feels loose, refer to the fitting instructions and readjust.
- Some glass/panoramic roofs and radio antennae may not be able to be used when the product is fitted.
- Do not modify this product.
- Refer to the maximum permitted load capacity specified in the fitting instructions. Do not exceed the vehicle manufacturers roof load rating if it is lower than the maximum load capacity specified in the fitting instructions.
- Loads should not overhang the sides of the product and be evenly distributed with the lowest possible centre of gravity.
- Long loads should be secured with non-elastic straps to the front and rear of the vehicle.
- Objects with pointed ends (e.g. ski poles) should be carried with the pointed ends to the rear of the vehicle.
- Remove all loose or removable objects from the load prior to loading.
- Make sure all loads are securely fastened with non-elastic straps. Check regularly during longer journeys.
- A loaded roof rack system can alter the performance of your vehicle. Be especially aware of the effects of side winds, changing of direction, and braking performance. Avoid rapid acceleration and deceleration. Drive carefully.
- Note that the total height of the vehicle increases when upright loads are carried.
- Products should be locked during transport if they have locks fitted.

- Check and replace worn out or defective parts.
 - Keep the product clean and maintained.
 - Never drive into a car wash with the roof rack system fitted.
 - Lubricate locks and adjusting screws at regular intervals.
 - Remove the products from the vehicle when not in use. Make sure all loose parts are stored safely.
-

- Yakima Australia Pty Ltd
17 Hinkler Court
Brendale QLD 4500
AUSTRALIA

www.prorack.com.au
www.prorack.co.nz

WARRANTY & DISCLAIMER

Yakima Australia Pty Ltd ABN 58 154 440 221
17 Hinkler Court, Brendale QLD 4500
Tel: 0800 4776 722 (NZ) or 1800 143 548 (AU)
Email: warranty@yakima.co.nz or warranty@yakima.com.au

1. Where the product is supplied to the customer for other than business purposes within the meaning of section 43 of the New Zealand Consumer Guarantees Act 1993, the provisions of that Act shall apply. It is important that anyone who fits or uses this product does so in accordance with the manufacturer's instructions.
2. Where the product is supplied to the customer for business purposes within the meaning of section 43 of the New Zealand Consumer Guarantees Act 1993, the provisions of that Act and all other representations or terms (including any conditions or warranty expressed or implied by law, statute or otherwise) not expressly included in this leaflet are hereby expressly excluded shall have no effect and the clauses (a) and (b) shall apply.
3. Subject to the **Additional Information (Australia)**, where the product is supplied and purchased in Australia, the following shall apply:
 - a. THE SUPPLIER WARRANTS the product to be free from defects in materials and/or workmanship for a period of three (3) years from the date of original purchase (the warranty period). Proof of purchase is required. Subject to the limitations and exclusions set out below, the Supplier hereby agrees to remedy any defects in materials or workmanship becoming apparent during the warranty period, by replacing or repairing any defective product or component (at its option) free of charge to the purchaser in respect of replacement parts or labour. Any defective product or component must be notified and where practicable, returned at the purchaser's expense to the Supplier immediately upon discovery of the alleged defect and no attempt made on the part of the purchaser to repair it.
 - b. EXCEPTIONS, EXCLUSIONS AND LIMITATIONS TO WARRANTY. The product and/or its components must be fitted/ assembled and loaded in accordance with the Supplier's written instructions and any requirements set out in the car's owner manual. This warranty does not cover defects, loss or damage resulting from circumstances beyond the Supplier's control including, but not limited to misuse, overloading, or failure to assemble and/or fit the product or component in accordance with the Supplier's written instructions. Nor does the warranty cover defects, loss or damage resulting from accidents, unlawful use of the vehicle or defects/inconsistencies in the vehicle on which the product or component is fitted. Liability for direct, indirect, special, punitive, incidental, exemplary, contractual or consequential damage or loss arising from defects, faulty materials or design omissions or negligence or workmanship in the product or its components is hereby expressly excluded subject to the following. Certain Commonwealth legislation, including the Competition and Consumer Act 2010 (Cth), and other State and Territorial legislation confers upon purchasers rights which cannot be excluded from or be restricted or modified by contract. Any conditions, guarantees and/or warranties implied by law and incapable of exclusion are deemed to be expressly incorporated herein. Nothing herein contained is intended nor shall be permitted to be inconsistent with any such conditions, guarantees and/or warranties. To the extent permitted by legislation all conditions, guarantees and/or warranties such as implied warranties which are capable of exclusion are hereby expressly excluded and negated.

ADDITIONAL INFORMATION (AUSTRALIA)

This information should be read in conjunction with clauses (a) and (b).

IMPORTANT LEGAL NOTICE

Our goods come with guarantees that cannot be excluded under the Australian Consumer Law. You are entitled to a replacement or refund for a major failure and for compensation for any other reasonably foreseeable loss or damage. You are also entitled to have the goods repaired or replaced if the goods fail to be of acceptable quality and the failure does not amount to a major failure.

This warranty does not change or take away your rights under the Australian Consumer Law. Your right to claim under this policy for the benefits covered is in addition to other rights and remedies you have under the law in relation to the product.

Where you become aware of defects in materials or of workmanship, and wish to make a claim under this warranty you must do the following for the warranty to be honoured by your Prorack dealer or Yakima Australia Pty Ltd ABN 58 154 440 221 (Yakima):

1. Make a claim as soon as practicable by contacting the Prorack dealer from whom you purchased the product, who will give you instructions on how to proceed.
2. If you are unable to contact the Prorack dealer, or the dealer is not able to remedy the defect, you should contact Yakima as soon as practicable at:

Call: 0800 4776 722 (NZ) or 1800 143 548 (AU)
Email: warranty@yakima.co.nz or warranty@yakima.com.au

Alternately, you can write to Yakima at 17 Hinkler Court, Brendale QLD Australia 4500 in order to make a claim under your warranty.

3. Upon contacting Yakima directly, you should explain as fully as possible the defect. A Yakima representative will provide you with appropriate instructions for returning the product together with a copy of the original purchase invoice or receipt to Yakima.
4. The costs and expenses associated with making a claim under your warranty including the costs of complying with those instructions and of returning the product to Yakima or the Prorack dealer will be borne by you.

Following receipt of the product and purchase invoice or receipt, Yakima or the Prorack dealer must inspect the product to determine whether the claim falls within the warranty. If:

- 4.1 the claim falls within the warranty, Yakima will remedy any defects in materials or workmanship becoming apparent during the warranty period, by replacing or repairing any defective product or component (at its option) free of charge to the purchaser in respect of replacement parts or labour.
- 4.2 the claim does not fall within the warranty, Yakima will return the product to you at your expense.